



DEPARTMENT OF REGULATORY AND ECONOMIC RESOURCES (RER)
BOARD AND CODE ADMINISTRATION DIVISION

NOTICE OF ACCEPTANCE (NOA)

MIAMI-DADE COUNTY
PRODUCT CONTROL SECTION
11805 SW 26 Street, Room 208
Miami, Florida 33175-2474
T (786) 315-2590 F (786) 315-2599
www.miamidade.gov/building

Allegion Access Technologies, LLC
65 Scott Swamp Road
Farmington, CT 06032

SCOPE:

This NOA is being issued under the applicable rules and regulations governing the use of construction materials. The documentation submitted has been reviewed and accepted by Miami-Dade County RER -Product Control Section to be used in Miami Dade County and other areas where allowed by the Authority Having Jurisdiction (AHJ).

This NOA shall not be valid after the expiration date stated below. The Miami-Dade County Product Control Section (In Miami Dade County) and/or the AHJ (in areas other than Miami Dade County) reserve the right to have this product or material tested for quality assurance purposes. If this product or material fails to perform in the accepted manner, the manufacturer will incur the expense of such testing and the AHJ may immediately revoke, modify, or suspend the use of such product or material within their jurisdiction. RER reserves the right to revoke this acceptance, if it is determined by Miami-Dade County Product Control Section that this product or material fails to meet the requirements of the applicable building code.

This product is approved as described herein and has been designed to comply with the Florida Building Code, including the High Velocity Hurricane Zone.

DESCRIPTION: Series “Dura Storm” Aluminum Automatic Sliding Glass Door: O-Sx-Sx-O, Sx-O w/ wo Transom, So-Sx-Sx-So and Sx-So w/wo Transom & Breakout –NI

APPROVAL DOCUMENT: Drawing No. **23-67902** (former **20-33204**), titled “Dura-Storm 2000/3000 Auto SGD Bi-Parting /Single Slide-NP”, sheets 1 through 19 of 19, prepared by Engineering Express, dated January 09, 2024, signed and sealed by Frank L. Bennardo, P.E., bearing the Miami-Dade County Product Control Revision stamp with the Notice of Acceptance number and expiration date by the Miami-Dade County Product Control Section.

MISSILE IMPACT RATING: None. Approved Hurricane Protection devices are required per FBC, as applicable.

LIMITATIONS:

1. See elevation for anchors requirements in sheets **1, 2 & 3** and Header clusters details in sheet **7** and Threshold clusters in sheet **12**. The ¼” Power Tapper anchors at head/Jamb & Sill to be in min 3 Ksi concrete. See sheets **4, 5 & 6** for concealed 3-point locking (active panel) & 2-point (in-active). Also see applicable 2-point **G-86** CVR panic devices (active/inactive panels) for series **3000** in sheets **5 & 6** to be used w/ Horizontal muntin bars (detail V, sheet 15) and DLO height not to exceed 36-3/4” max.
2. See details **1A/8, 3A/9 & 5A/10** for Transom nested reinforcements item **#101** for Bi-Parting series 2000 (O-Sx-Sx-O) and series 3000 (So-Sx-Sx-So). The Single Slide O-Sx and So-Sx require light reinforcement item **#73**.
3. Electrical devices, functions and installation is not part of this approval and to be reviewed and approved by Authority Having Jurisdiction (AHJ)
4. See Door panel and Transom glazing details in sheets **16 & 18**. Fixed glass more than 36” wide must be supported with approved setting blocks per FBC requirements.
5. Not approved where water infiltration is required.



Isheq I. Chantz

NOA No. 23-1127.02
Expiration Date: April 11, 2028
Approval Date: February 08, 2024
Page 1 of 2



DEPARTMENT OF REGULATORY AND ECONOMIC RESOURCES (RER)
BOARD AND CODE ADMINISTRATION DIVISION
NOTICE OF ACCEPTANCE (NOA)

MIAMI-DADE COUNTY
PRODUCT CONTROL SECTION
11805 SW 26 Street, Room 208
Miami, Florida 33175-2474
T (786) 315-2590 F (786) 315-2599
www.miamidade.gov/building

Stanley Access Technologies, LLC
65 Scott Swamp Road
Farmington, CT 06032

LABELING: Each unit shall bear a permanent label with the manufacturer's name or logo, city, state and series and following statement: "Miami-Dade County Product Control Approved", unless otherwise noted herein.

RENEWAL of this NOA shall be considered after a renewal application has been filed and there has been no change in the applicable building code negatively affecting the performance of this product

TERMINATION of this NOA will occur after the expiration date or if there has been a revision or change in the materials, use, and/or manufacture of the product or process. Misuse of this NOA as an endorsement of any product, for sales, advertising or any other purposes shall automatically terminate this NOA. Failure to comply with any section of this NOA shall be cause for termination and removal of NOA.

ADVERTISEMENT: The NOA number preceded by the words Miami-Dade County, Florida, and followed by the expiration date may be displayed in advertising literature. If any portion of the NOA is displayed, then it shall be done in its entirety.

INSPECTION: A copy of this entire NOA shall be provided to the user by the manufacturer or its distributors and shall be available for inspection at the job site at the request of the Building Official.

This NOA revises # 22-0830.08 (former **Stanley Access Technologies, LLC**), consists of pages 1 and 2 as well as evidence pages E-1, E-2, E-3, E-4 and E-5.

The submitted documentation was reviewed by **Ishaq I. Chanda, P.E.**



Ishaq I. Chanda

NOA No. 23-1127.02
Expiration Date: April 11, 2028
Approval Date: February 08, 2024
Page 2 of 2

NOTICE OF ACCEPTANCE: EVIDENCE SUBMITTED

1. EVIDENCE SUBMITTED UNDER PREVIOUS NOA'S

A. DRAWINGS

1. Manufacturer's die drawings and sections (submitted under files below)
2. Drawing No. **14-1854** (former **12-SAT-15**), titled "Dura-Storm 2000/3000 Bi-Parting /Single slide-NP", sheets 1 through 19 of 19, prepared by Engineering Express, dated 07-01-12 and last revised on 10/14/2014, signed and sealed by Frank L. Bennardo, P.E.

B. TESTS (submitted under files # **13-0529.21/**#12-0807.05**)**

1. Test reports on:
 - 1) Air Infiltration Test, per FBC, TAS 202-94
 - 2) Uniform Static Air Pressure Test, Loading per FBC TAS 202-94
 - 3) Water Resistance Test, per FBC, TAS 202-94 (Not conducted)
 - 4) Forced Entry Test, per FBC 2411 3.2.1, TAS 202-94

Along with installation diagram of aluminum automatic entrance doors Sx-So w/ G-86 CVR Panic and So-Sx-Sx-So w/ Transom & G-86 CVR Panic, prepared by Fenestration Testing Laboratory, Inc. Test Report No. **FTL-7247**, dated 03/08/13, signed and sealed by Marlin D. Brinson, P. E.

2. Test reports on:
 - 1) Air Infiltration Test, per FBC, TAS 202-94
 - 2) Uniform Static Air Pressure Test, Loading per FBC TAS 202-94
 - 3) Water Resistance Test, per FBC, TAS 202-94 (Not conducted)
 - 4) Forced Entry Test, per FBC 2411 3.2.1, TAS 202-94

Along with installation diagram of aluminum automatic entrance doors, prepared by Fenestration Testing Laboratory, Inc. Test Report No. **FTL-6803**, dated 05/11/12 and last revised on 03/21/13, signed and sealed by Marlin D. Brinson, P. E.

Note: This test report has been revised by an addendum letter dated Nov 21, 2012 and April 03, 2013, issued by Fenestration Testing Lab, signed and sealed by Marlin D. Brinson, P. E. (submitted under file # **12-0807.05**)

C. CALCULATIONS

1. Anchor verification calculations and structural analysis, complying with FBC-2014 (5th Edition), prepared by Engineering Express, dated 05-13-15, signed and sealed by Frank L. Bennardo, P.E.
2. Glazing complies w/ ASTM E-1300-02, -04 & -09.

D. QUALITY ASSURANCE

1. Miami Dade Department of Regulatory and Economic Resources (RER).

E. MATERIAL CERTIFICATIONS (submitted under file # **12-0807.05)**

1. Technical strength data of Trelleborg EPDM per ASTM C864.

F. STATEMENTS

1. Statement letter of conformance to FBC 2014(5th Edition), prepared by Engineering Express, dated May 13, 2015, signed and sealed by Frank L. Bennardo, P.E.
2. Statement letter of no financial interest, prepared by Engineering Express, dated 08-02-12, signed and sealed by Frank L. Bennardo, P.E. (submitted under file # **12-0807.05**)
3. Lab compliance as part of the above referenced test report.

Ishaq I. Chanda

Ishaq I. Chanda, P.E.
Product Control Unit Supervisor
NOA No. 23-1127.02
Expiration Date: April 11, 2028
Approval Date: February 08, 2028

NOTICE OF ACCEPTANCE: EVIDENCE SUBMITTED

G. OTHER

1. This NOA **revises** NOA #13-0529.21, expiring 04/18/18.
2. Test proposals # 13-0006 dated 01/14/13 approved by RER and # 11-1016, dated NOV 11, 2011 approved by PERA.
3. Manufacture supplied Adam Rites deadbolt/hook & bolts mechanism & G-86 panic brochures.

2. EVIDENCE SUBMITTED UNDER PREVIOUS APPROVAL # 17-0828.09

A. DRAWINGS

1. Drawing No. **14-1854**, titled "Dura-Storm 2000/3000 Auto SGD Bi-Parting /Single Slide-NI", sheets 1 through 19 of 19, prepared by Engineering Express, dated 07/01/12 and last revised on 08/23/17, signed and sealed by Frank L. Bennardo, P.E.

B. TESTS

1. None.

C. CALCULATIONS

1. Anchor verification calculations and structural analysis, complying with **FBC 6th Edition (2017)**, prepared by manufacturer, dated 08/01/17, signed and sealed by Frank L. Bennardo, P.E.

D. QUALITY ASSURANCE

1. Miami Dade Department of Regulatory and Economic Resources (RER).

E. MATERIAL CERTIFICATIONS

1. None.

F. STATEMENTS

1. Statement letter of conformance to **FBC 6th Edition (2017)**, dated 07/31/17, prepared by Engineering Express, signed and sealed by Frank L. Bennardo, P.E.
2. Statement letter of no financial interest, prepared by Engineering Express, dated 07/28/17, signed and sealed by Frank L. Bennardo, P.E.

G. OTHER

1. This NOA **revises** NOA #15-0127.05, expiring on 04/11/2018.

Ishaq I. Chanda

Ishaq I. Chanda, P.E.
Product Control Unit Supervisor
NOA No. 23-1127.02
Expiration Date: April 11, 2028
Approval Date: February 08, 2024

Stanley Access Technologies, LLC

NOTICE OF ACCEPTANCE: EVIDENCE SUBMITTED

3. EVIDENCE SUBMITTED submitted under previous NOA(s)

A. DRAWINGS

1. None.

B. TESTS

1. None.

C. CALCULATIONS

1. None.

D. QUALITY ASSURANCE

1. Miami Dade Department of Regulatory and Economic Resources (RER).

E. MATERIAL CERTIFICATIONS

1. None.

F. STATEMENTS

1. None.

G. OTHER

1. This NOA renews NOA #17-0828.09, expiring on 04/11/2018.

4. EVIDENCE SUBMITTED submitted under previous NOA(s)

A. DRAWINGS

1. None.

B. TESTS

1. None.

C. CALCULATIONS

1. None.

D. QUALITY ASSURANCE

1. Miami Dade Department of Regulatory and Economic Resources (RER).

E. MATERIAL CERTIFICATIONS

1. None.

F. STATEMENTS

1. None.

G. OTHER

1. This NOA renews NOA #18-0221.09, expiring on 04/11/2023.

Ishaq I. Chanda

Ishaq I. Chanda, P.E.
Product Control Unit Supervisor
NOA No. 23-1127.02
Expiration Date: April 11, 2028
Approval Date: February 08, 2024

Allegion Access Technologies, LLC

NOTICE OF ACCEPTANCE: EVIDENCE SUBMITTED

5. EVIDENCE SUBMITTED under previous approval

A. DRAWINGS

1. Drawing No. **20-33204** (former **14-1854**), titled “Dura-Storm 2000/3000 Auto SGD Bi-Parting /Single Slide-NI”, sheets 1 through 19 of 19, prepared by Engineering Express, dated 08/23/17 and last revised on NOV 10, 2022, signed and sealed by Frank L. Bennardo, P.E.

B. TESTS

1. None.

C. CALCULATIONS

1. None.

D. QUALITY ASSURANCE

1. Miami Dade Department of Regulatory and Economic Resources (RER).

E. MATERIAL CERTIFICATIONS

1. Technical strength data of Trelleborg EPDM per ASTM C864.

F. STATEMENTS

1. Statement letter of conformance to FBC 2020 (7th Edition), prepared by Engineering Express, dated 11/10/2022, signed and sealed by Frank L. Bennardo, P.E.
2. Statement letter dated 11/10/22 requesting Renewal with no change and no changes have been made from previous approval, prepared by Engineering Express, dated 11/10/22, signed and sealed by Frank L. Bennardo, P.E.

G. OTHER

1. This NOA **renews** NOA #**20-1216.25**, expiring 04/11/28.

Ishaq I. Chanda

Ishaq I. Chanda, P.E.
Product Control Unit Supervisor
NOA No. 23-1127.02
Expiration Date: April 11, 2028
Approval Date: February 08, 2024

Allegion Access Technologies, LLC

NOTICE OF ACCEPTANCE: EVIDENCE SUBMITTED

6. New EVIDENCE SUBMITTED

A. DRAWINGS

1. Drawing No. **23-67902** (former **20-33204**), titled “Dura-Storm 2000/3000 Auto SGD Bi-Parting /Single Slide-NI”, sheets 1 through 19 of 19, prepared by Engineering Express, dated January 09, 2024, signed and sealed by Frank L. Bennardo, P.E.

B. TESTS

1. None.

C. CALCULATIONS

1. None.

D. QUALITY ASSURANCE

1. Miami Dade Department of Regulatory and Economic Resources (RER).

E. MATERIAL CERTIFICATIONS

1. Technical strength data of Trelleborg EPDM per ASTM C864.

F. STATEMENTS (items #3 and #4 submitted under previous NOA)

1. Statement letter of conformance to FBC 2023 (8th Edition), prepared by Engineering Express, dated November 14, 2023, signed and sealed by Frank L. Bennardo, P.E.
2. Statement letter of conformance to FBC 2020 (7th Edition), prepared by Engineering Express, dated FEB 10, 2023, signed and sealed by Frank L. Bennardo, P.E.
3. Certificate of Amendment issued by State of Delaware dated September 01, 2022, **Stanley Access Technologies, LLC**, changed its name to **Allegion Access Technologies, LLC** signed by Jeffery W. Bullocks, Secretary of State, State of Delaware.
4. Certificate of Formation, issued by State of Delaware, dated September 01, 2022, amended **Stanley Access Technologies, LLC**, to **Allegion Access Technologies, LLC**, signed by Jeffrey W. Bullock, Secretary of State, State of Delaware

G. OTHER

1. This NOA revises # **22-0830.08** (former **Stanley Access Technologies, LLC**), expiring 04/11/28.

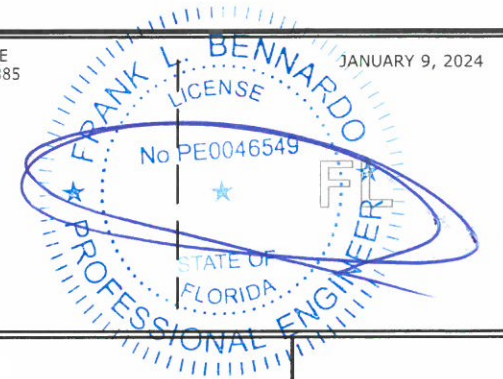
Ishaq I. Chanda

Ishaq I. Chanda, P.E.
Product Control Unit Supervisor
NOA No. 23-1127.02
Expiration Date: April 11, 2028
Approval Date: February 08, 2024

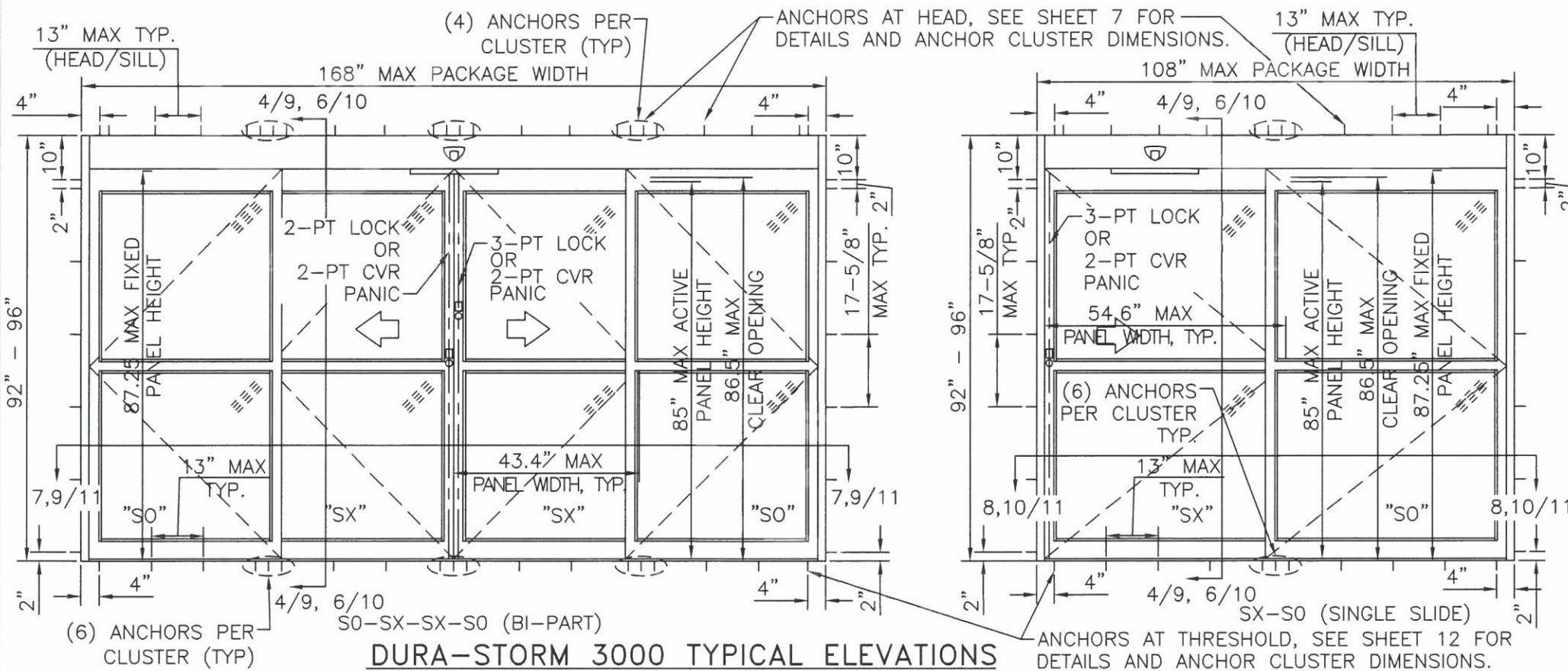
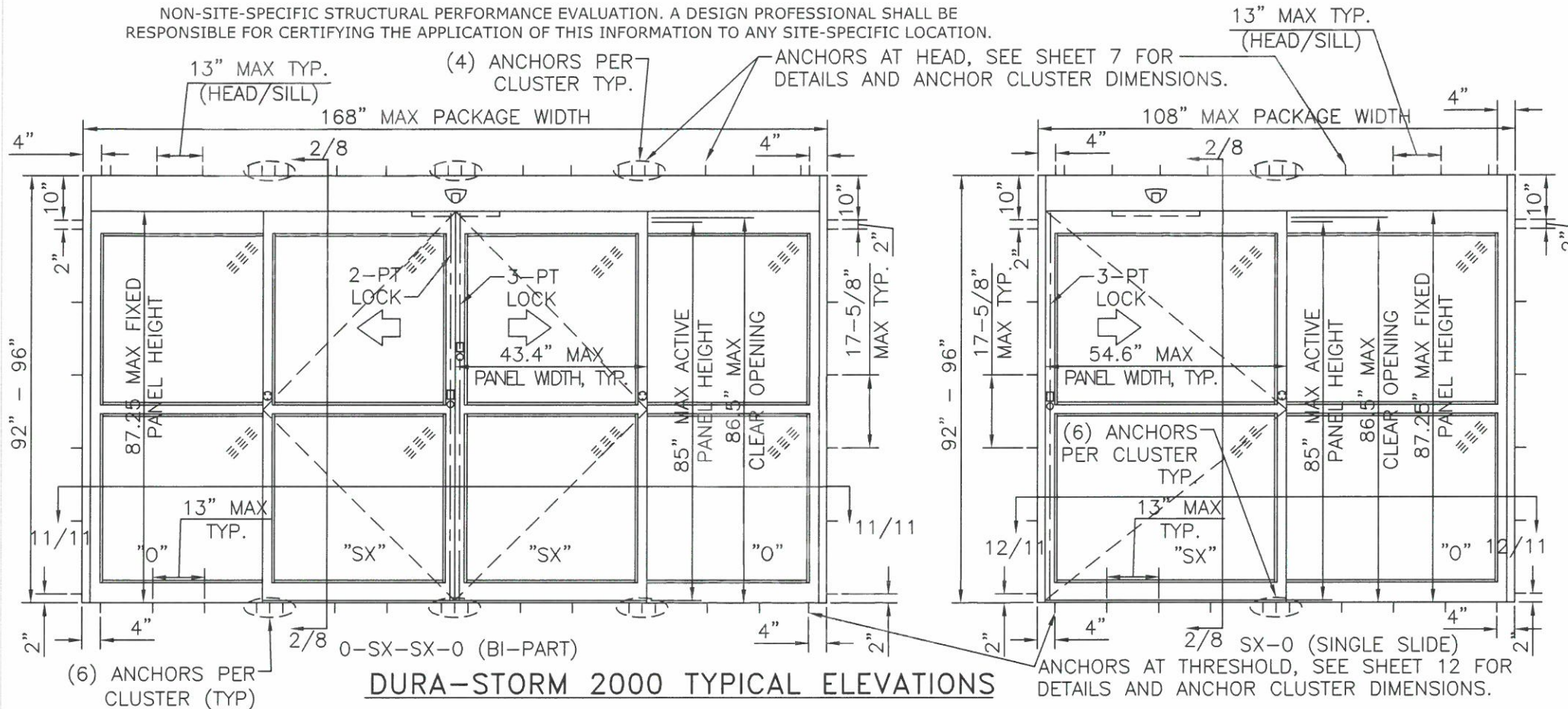
ALLEGION ACCESS TECHNOLOGIES, LLC

DURA-STORM SERIES 2000/3000
NON-IMPACT
HVHZ

FRANK BENNARDO, PE
PE# 0046549 CA# 9885



NON-SITE-SPECIFIC STRUCTURAL PERFORMANCE EVALUATION. A DESIGN PROFESSIONAL SHALL BE RESPONSIBLE FOR CERTIFYING THE APPLICATION OF THIS INFORMATION TO ANY SITE-SPECIFIC LOCATION.



PRODUCT RENEWED
as complying with the Florida
Building Code
NOA-No. 23-1127.02
Expiration Date 04-11-2028
By *Shay L. Chanda*
Miami-Dade Product Control

GENERAL NOTES:

- DOORS HAVE BEEN TESTED & DESIGNED IN ACCORDANCE WITH THE REQUIREMENTS OF THE FLORIDA BUILDING CODE 8TH EDITION (2023) HIGH VELOCITY HURRICANE ZONE (HVHZ) AND MIAMI-DADE COUNTY PROTOCOLS TAS 201 FOR LARGE MISSILE IMPACT, TAS 202 FOR UNIFORM STATIC AIR PRESSURE AND TAS 203 FOR CYCLIC WIND LOADING.
- DESIGN PRESSURES NOTED HEREIN ARE BASED ON MAXIMUM TESTED PRESSURES DIVIDED BY 1.5 SAFETY FACTOR
- WIND LOAD DURATION FACTOR Cd = 1.6 HAS BEEN USED FOR WOOD ANCHOR DESIGN.
- THE ARCHITECT/ENGINEER OF RECORD FOR THE PROJECT SUPERSTRUCTURE WITH WHICH THIS DESIGN IS USED SHALL BE RESPONSIBLE FOR THE INTEGRITY OF ALL SUPPORTING SURFACES TO THIS DESIGN WHICH SHALL BE COORDINATED BY THE PERMITTING CONTRACTOR. WOOD BUCKS (BY OTHERS) SHALL BE ANCHORED PROPERLY TO TRANSFER LOADS TO EXISTING STRUCTURE
- THE SYSTEM DETAILED HEREIN IS GENERIC AND DOES NOT PROVIDE INFORMATION FOR A SPECIFIC SITE. FOR SITE CONDITIONS DIFFERENT FROM THE CONDITIONS DETAILED HEREIN, A LICENSED ENGINEER OR REGISTERED ARCHITECT SHALL PREPARE SITE SPECIFIC DOCUMENTS FOR USE IN CONJUNCTION WITH THIS DOCUMENT.
- THE CONTRACTOR IS RESPONSIBLE TO INSULATE ALL MEMBERS FROM DISSIMILAR MATERIALS TO PREVENT ELECTROLYSIS.
- FASTENERS SHALL BE CADMIUM-PLATED OR OTHERWISE CORROSION-RESISTANT MATERIAL AND SHALL COMPLY WITH "SPECIFICATIONS FOR ALUMINUM STRUCTURES" SECTION J.3.7.2 BY THE ALUMINUM ASSOCIATION INC. AND ANY APPLICABLE FEDERAL, STATE AND OR LOCAL CODES.
- REFER TO FASTENER MANUFACTURER'S PUBLISHED DATA SHEETS AND RECOMMENDATIONS FOR FASTENER INSTALLATION INSTRUCTIONS.
- ENGINEER SEAL AFFIXED HERETO VALIDATE STRUCTURAL DESIGN AS SHOWN ONLY. USE OF THIS SPECIFICATION BY CONTRACTOR, et. al. INDEMNIFIES & SAVES HARMLESS THIS ENGINEER FOR ALL COST & DAMAGES INCLUDING LEGAL FEES & APPELLATE FEES RESULTING FROM MATERIAL FABRICATION, SYSTEM ERECTION, & CONSTRUCTION PRACTICES BEYOND THAT WHICH IS CALLED FOR BY LOCAL, STATE & FEDERAL CODES & FROM DEVIATIONS OF THIS PLAN.
- EXCEPT AS EXPRESSLY PROVIDED HEREIN, NO ADDITIONAL CERTIFICATIONS OR AFFIRMATIONS ARE INTENDED.
- PRESSURE VALUES ON THIS APPROVAL ARE (ASD) ALLOWABLE DESIGN PRESSURES.
- ALTERATIONS ADDITIONS OR OTHER MARKINGS TO THIS DOCUMENT ARE NOT PERMITTED AND INVALIDATE THIS CERTIFICATION.
- SAFEGUARDS MUST BE OBSERVED (NOT IN THIS CERTIFICATION).
- UNITS SHALL BE LABELED IN ACCORDANCE WITH THE FLORIDA BUILDING COMMISSION AND THE FLORIDA DEPARTMENT OF BUSINESS & PROFESSIONAL REGULATION SPECIFICATION.
- THE SYSTEM DETAILED HEREIN IS GENERIC AND DOES NOT PROVIDE INFORMATION FOR A SPECIFIC SITE. FOR SITE CONDITIONS DIFFERENT FROM THE CONDITIONS DETAILED HEREIN, A LICENSED ENGINEER OR REGISTERED ARCHITECT SHALL PREPARE SITE SPECIFIC DOCUMENTS FOR USE IN CONJUNCTION WITH THIS DOCUMENT FOR INSTALLATIONS OUTSIDE THE HVHZ; WITHIN THE HVHZ, A ONE-TIME APPROVAL FROM MIAMI-DADE COUNTY SHALL BE OBTAINED.
- ALL BOLTS AND WASHERS SHALL BE ZINC COATED, GALVANIZED, OR STAINLESS STEEL WITH A MINIMUM TENSILE STRENGTH OF 60 KSI, EXCEPT INSTALLATION ANCHORS.
- ALL SINGLE SLIDE ENTRANCES ARE SHOWN "RIGHT HAND"; "LEFT HAND" IS MIRROR IMAGE.

SYSTEM NOTES

- ALL ALUMINUM PARTS SHALL BE 6063-T6 ALUMINUM ALLOY AND TEMPER, UNLESS OTHERWISE NOTED.
- GLAZING NOT IMPACT RATED. SEE GLAZING DETAILS SHEET 16.
- CORNER PANEL CONSTRUCTION: PANEL CORNERS ARE BUTT JOINED, SECURED WITH FOUR (4) FULL WIDTH 5/16" THREADED TIE RODS AT TOP RAIL, AND BOTTOM RAIL. ALL JOINTS ARE WELDED. EXCEPTION: INTERMEDIATE HORIZONTAL MUNTIN BAR IS SECURED BY APPROVED CLIPS (ITEM #79, SHEET 15, DETAIL V).
- THE GLAZING MATERIAL IN BOTH FIXED AND SLIDING PANELS OF ALL SLIDING DOORS MUST COMPLY WITH THE REQUIREMENTS IN THE PERFORMANCE SPECIFICATIONS AND METHODS OF TEST FOR SAFETY GLAZING MATERIALS USED IN BUILDINGS, PER FBC REQUIREMENTS.
- CVR = CONCEALED VERTICAL ROD.

ENGINEERING EXPRESS
ALLEGION ACCESS TECHNOLOGIES, LLC
65 SCOTT SWAMP RD.
FARMINGTON, CT 06032
SAT SERIES "DURA-SOTRM 2000/3000" AUTO SGD
BI-PARTING/SINGLE SLIDE (NI)
MIAMI-DADE NOTICE OF ACCEPTANCE

POSTAL ADDRESS:
2234 NORTH FEDERAL HWY#7664
BOCA RATON, FL 33431
ENGINEERINGEXPRESS.COM

DATE	DRWN	CHKD	DATE
11/13/23	RS	RS	
	SO		

23-67902

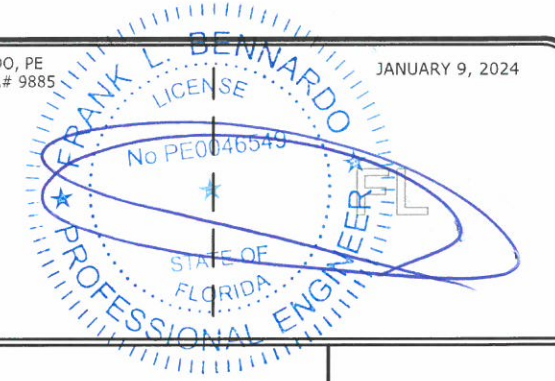
SCALE: NTS UNLESS NOTED

01 OF 19

c:\users\eam\engineering\express\production - documents\projects\23-123-67901 - multiple 2023 noa product update noa 22-1207\work\drawings & cad\2023 noa update\23-1127.02.dwg

DURA-STORM SERIES 2000 W/ OPTIONAL TRANSOM, TYPICAL ELEVATIONS

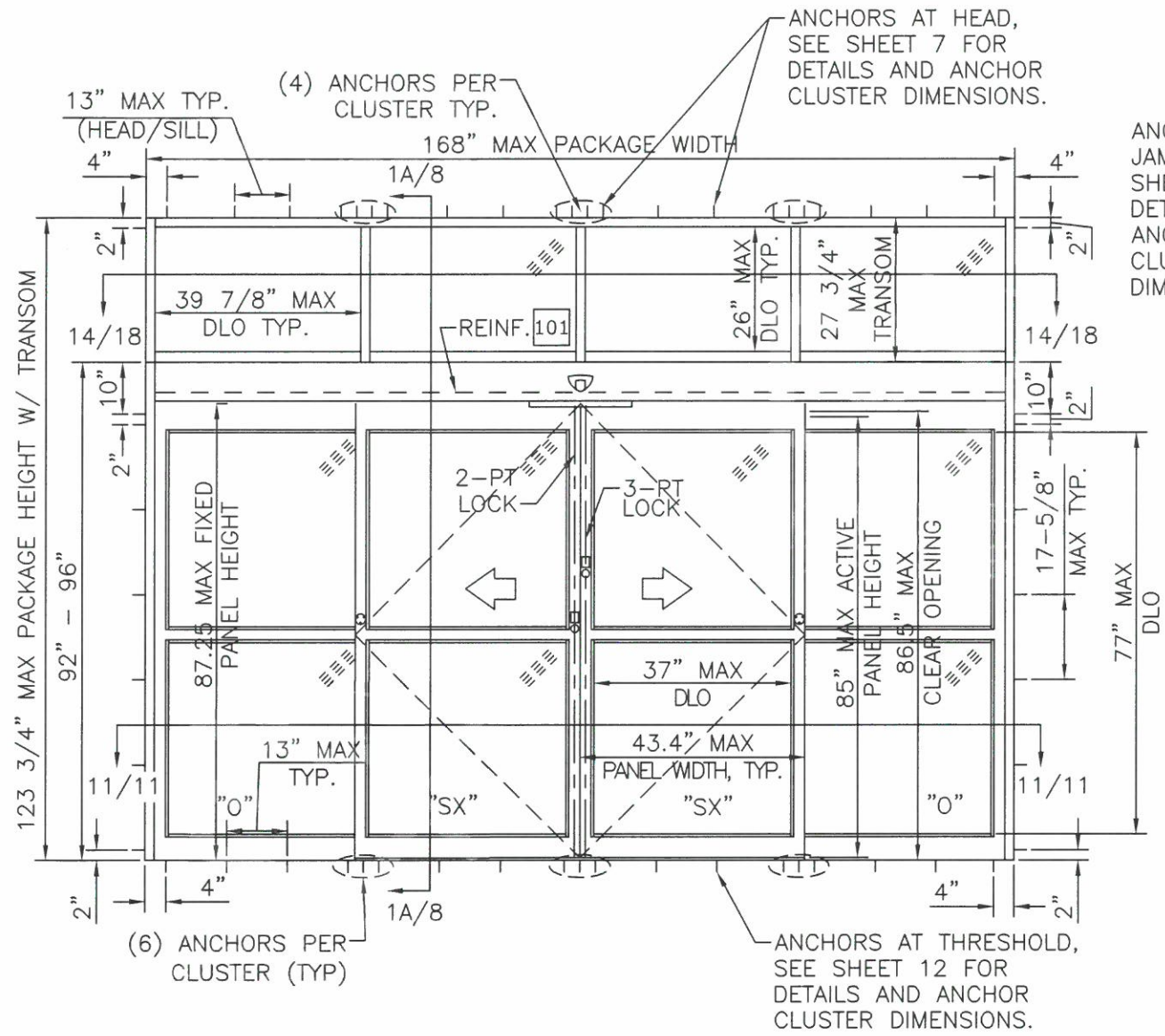
FRANK BENNARDO, PE
PE# 0046549 CA# 9885
JANUARY 9, 2024



PRODUCT RENEWED
as complying with the Florida
Building Code
NOA-No. 23-1127.02

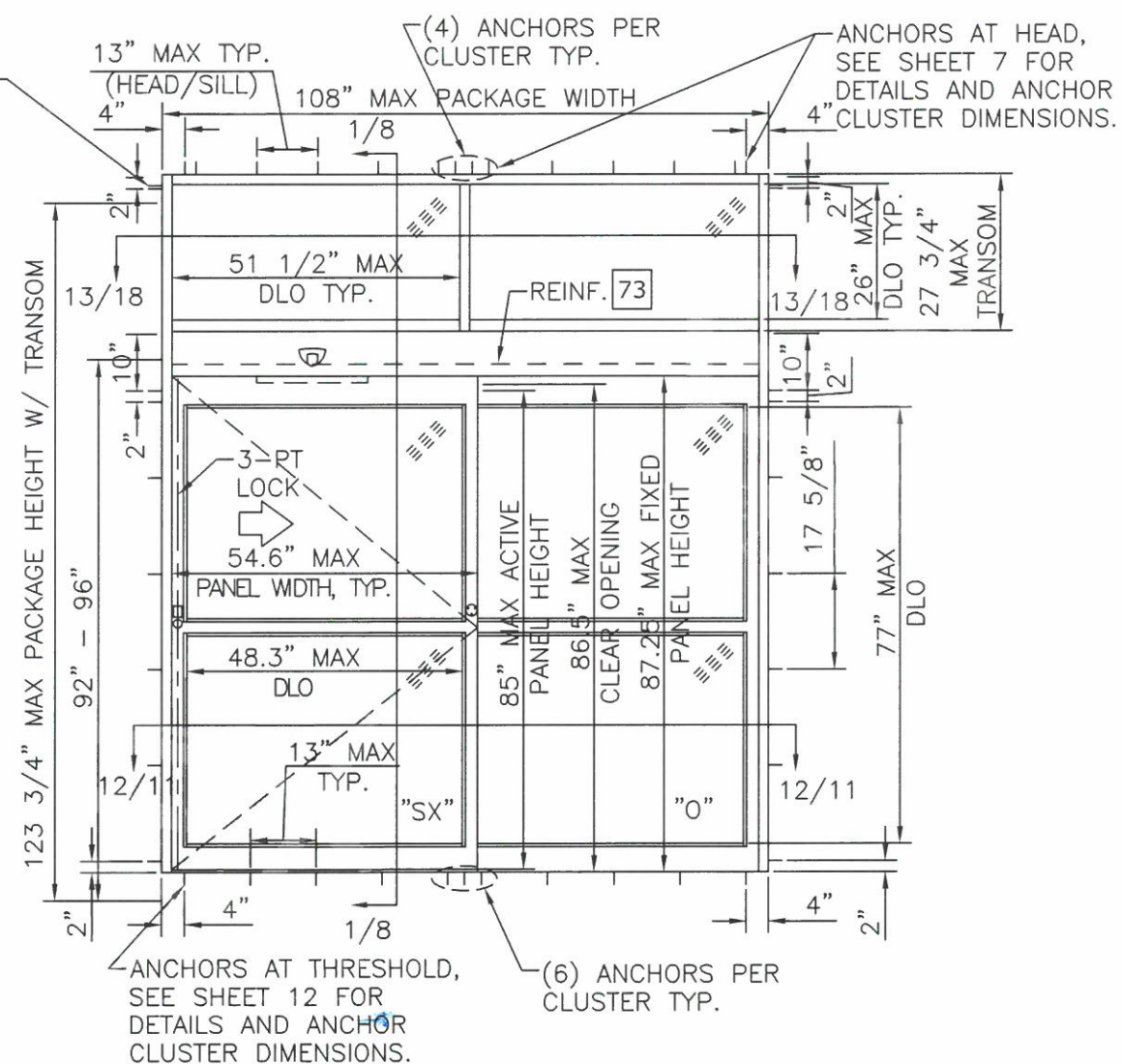
Expiration Date 04-11-2028

By Shay L. Chan
Miami-Dade Product Control



DURA-STORM 2000 TYPICAL ELEVATIONS

0-SX-SX-0 (BI-PART)



DURA-STORM 2000 TYPICAL ELEVATIONS

SX-0 (SINGLE SLIDE)

NOTES

1. MAX DLO AS SHOWN.
- 1.1. BI-PARTING PANEL: 37" W X 77" H; TRANSOMS: 39 7/8" W X 26" H.
- 1.2. SINGLE SLIDE PANEL: 48 1/4" W X 77" H; TRANSOMS: 51 1/2" W X 26" H.
2. 5-POINT LOCKING STANDARD (3-PT ACTIVE & 2-PT). SEE SHEET 17.
3. PRODUCT SHALL BE MANUFACTURED AND INSTALLED IN ACCORDANCE WITH PRODUCT APPROVALS.
4. SEE SHEETS 7, 8, 11 AND 12 FOR REQUIRED ANCHORAGE.
5. SEE SHEET 16 FOR GLAZING DETAILS.

ENGINEERING EXPRESS
POSTAL ADDRESS:
2234 NORTH FEDERAL HWY #7664
BOCA RATON, FL 33431
ENGINEERINGEXPRESS.COM

ALLEGION ACCESS TECHNOLOGIES, LLC
65 SCOTT SWAMP RD.
FARMINGTON, CT 06032
SAT SERIES "DURA-SOTRM 2000/3000" AUTO SGD
BI-PARTING/SINGLE SLIDE (NI)
MIAMI-DADE NOTICE OF ACCEPTANCE

REMARKS	DATE
INIT ISSUE	11/13/23
DRWN	
CHKD	
SQ	
RS	

23-67902

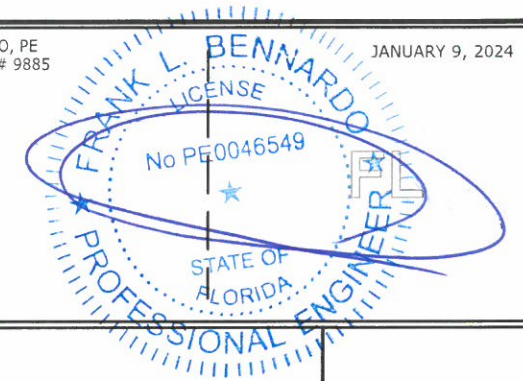
SCALE: NTS UNLESS NOTED

02 OF 19

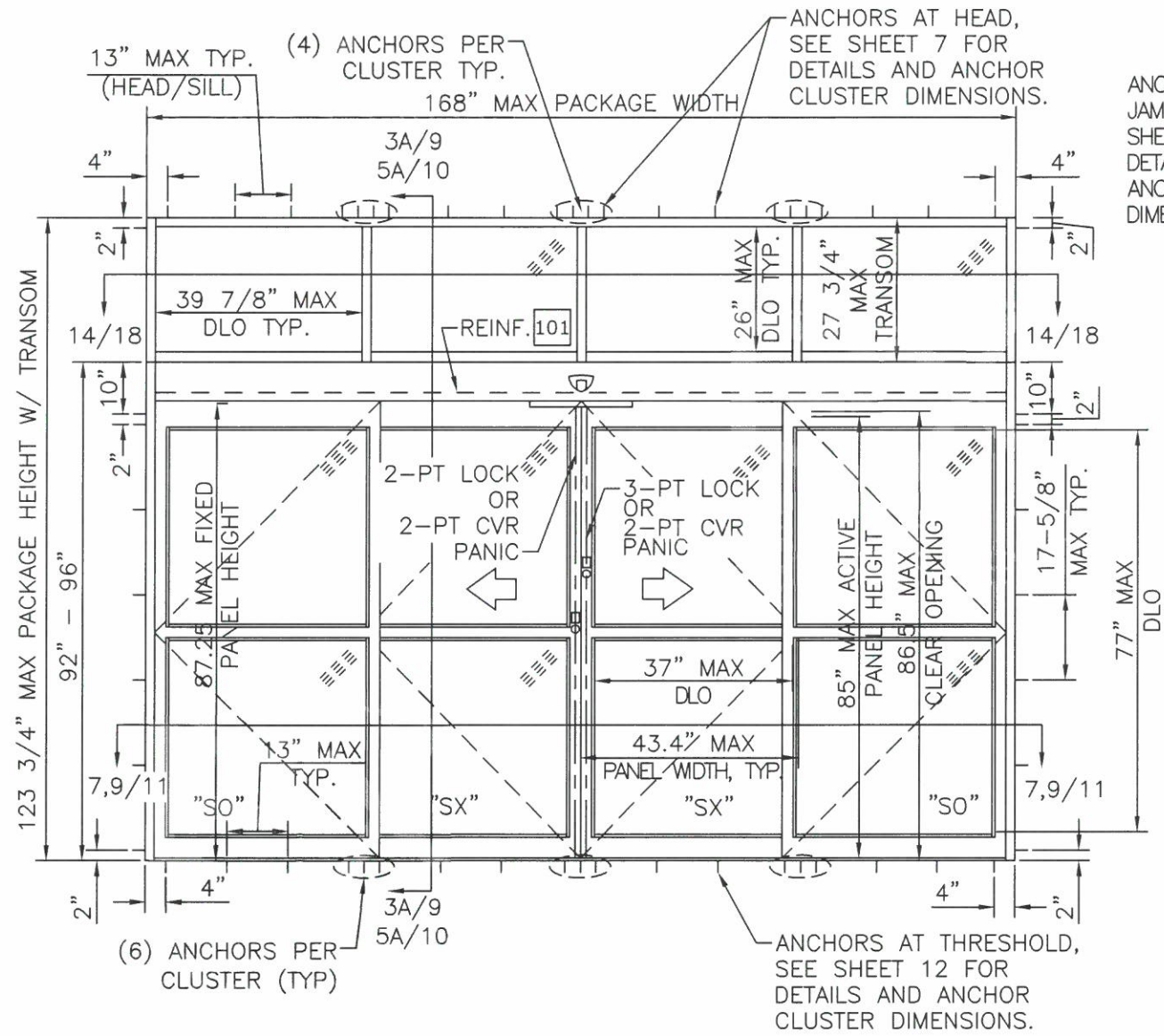
c:\users\sam\engineering\express\production - documents\projects\23-123-67901_multiple_2023_noa_product_update noa 22-1207\work\drawings & cad\2023_noa_update\23-1127.02.dwg

DURA-STORM SERIES 3000 W/ OPTIONAL TRANSOM, TYPICAL ELEVATIONS

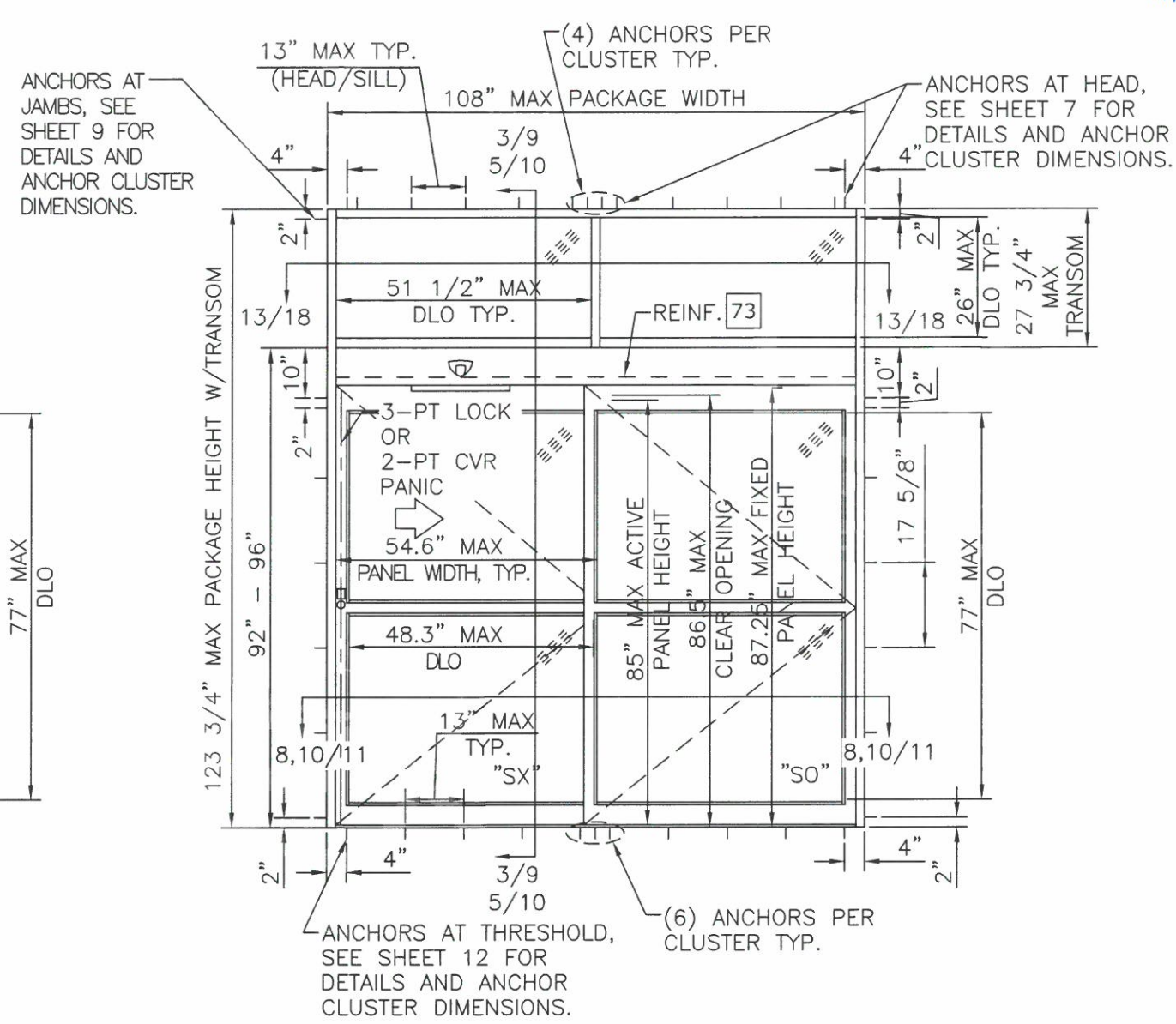
FRANK BENNARDO, PE
PE# 0046549 CA# 9885
JANUARY 9, 2024



PRODUCT RENEWED
as complying with the Florida
Building Code
NOA-No. 23-1127.02
Expiration Date 04-11-2028
By *Isaac I. Chan*
Miami-Dade Product Control



DURA-STORM 3000 TYPICAL ELEVATIONS
S0-SX-SX-S0 (BI-PART)



DURA-STORM 3000 TYPICAL ELEVATIONS
SX-S0 (SINGLE SLIDE)

- NOTES**
- MAX DLO AS SHOWN.
 - 1.1. BI-PARTING PANEL: 37" W X 77" H, 36 3/4" H WITH PANIC MUNTIN; TRANSOMS: 39 7/8" W X 26" H.
 - 1.2. SINGLE SLIDE PANEL: 48 1/4" W X 77" H, 36 3/4" H WITH PANIC MUNTIN; TRANSOMS: 51 1/2" W X 26" H.
 - 4-POINT CVR LOCKING WITH G86 PANIC RELEASE (2-PT CVR ACTIVE & 2-PT CVR) AND 5-POINT LOCKING (3-PT ACTIVE & 2-PT) AVAILABLE. SEE SHEET 17.
 - PRODUCT SHALL BE MANUFACTURED AND INSTALLED IN ACCORDANCE WITH PRODUCT APPROVALS.
 - SEE SHEETS 7, 9, 10, 11 AND 12 FOR REQUIRED ANCHORAGE.
 - SEE SHEET 16 FOR GLAZING DETAILS.

ENGINEERING EXPRESS
POSTAL ADDRESS:
2234 NORTH FEDERAL HWY #7664
BOCA RATON, FL 33431
ENGINEERINGEXPRESS.COM

ALLEGION ACCESS
TECHNOLOGIES, LLC
65 SCOTT SWAMP RD.
FARMINGTON, CT 06032



DRWN	CHKD	DATE
SQ	RS	11/13/23

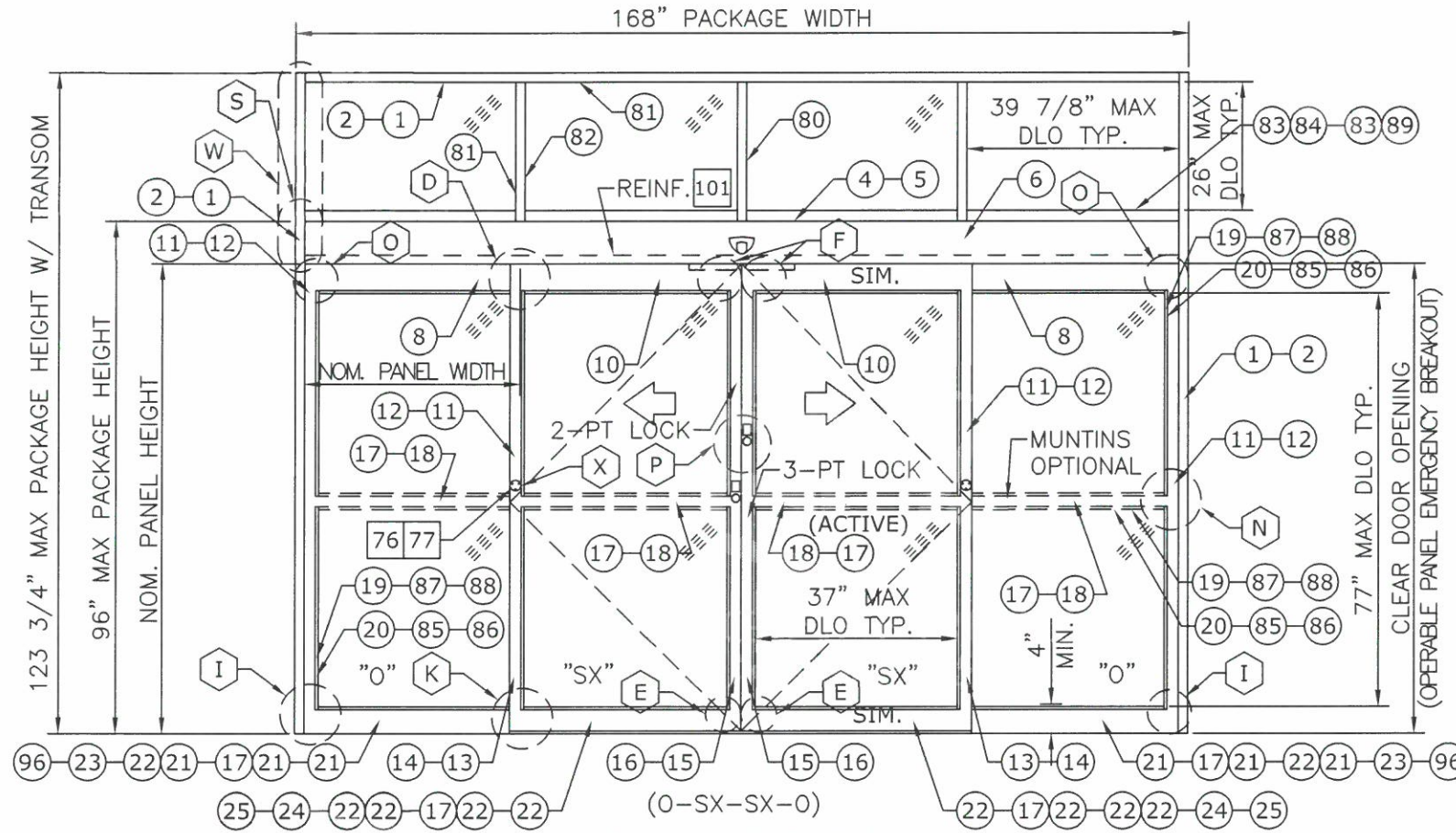
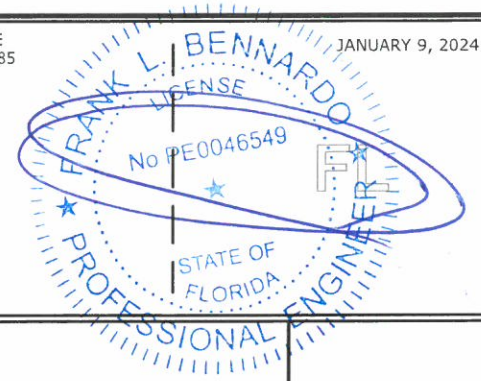
REMARKS
INIT ISSUE

COPYRIGHT ENGINEERING EXPRESS®
23-67902
SCALE: NTS UNLESS NOTED
03 OF 19

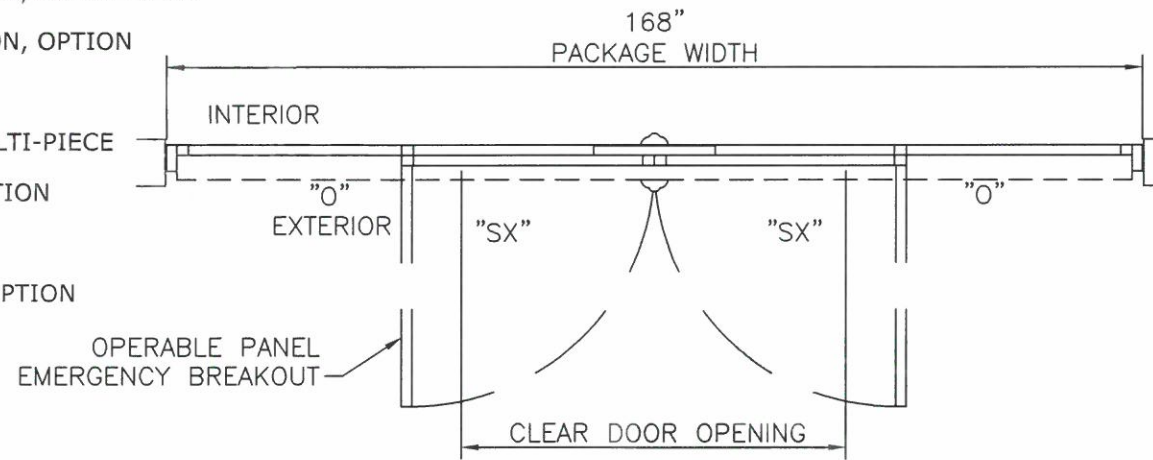
c:\users\sam\engineering\express\production - documents\projects\23-67901 multiple 2023 noa product update noa 22-1207\work\drawings & cad\2023 noa update\23-1127.02.dwg

DURA-STORM SERIES 2000 ELEVATION AND PLAN

FRANK BENNARDO, PE
PE# 0046549 CA# 9885



EXTERIOR ELEVATION



PLAN

NOTES

- TYPICAL DOOR SHOWN. STILE, RAIL AND MUNTIN OPTIONS AVAILABLE AS INDICATED.
- HORIZONTAL MUNTIN BAR NOT REQUIRED AS INDICATED BY DASHED LINES. MAX DLO: 37" W X 77" H AS SHOWN
- 5-POINT LOCKING STANDARD (3-PT ACTIVE & 2-PT). SEE SHEET 17.
- PRODUCT SHALL BE MANUFACTURED AND INSTALLED IN ACCORDANCE WITH PRODUCT APPROVALS.
- SEE SHEETS 7, 8, 11, AND 12 FOR REQUIRED ANCHORAGE.
- SEE SHEET 16 FOR GLAZING DETAILS.

DESIGN RATINGS		
MISSILE IMPACT RATING		
<input checked="" type="checkbox"/>	NON-IMPACT RESISTANT	
DESIGN PRESSURE RATING (PSF[Pa])		
	WHERE WATER INFILTRATION RATING IS REQUIRED	WHERE WATER INFILTRATION RATING IS NOT REQUIRED
POSITIVE	NOT APPROVED	55 PSF
NEGATIVE	NOT APPROVED	55 PSF

SERIES 2000 AVAILABLE PACKAGE WIDTH INFORMATION*						
PACKAGE WIDTH	ROUGH OPENING	STILE TYPE	NOMINAL CLEAR DOOR OPENING	NOMINAL PANEL WIDTH (SX)	NOMINAL PANEL WIDTH (O)	CAULKING ALLOWANCE
168.0"	168.5"	NARROW	70.6"	42.7"	42.7"	1/4" / SIDE
168.0"	168.5"	MEDIUM	66.3"	43.4"	43.4"	1/4" / SIDE

SERIES 2000 AVAILABLE PACKAGE HEIGHT INFORMATION*			
PACKAGE HEIGHT	ROUGH OPENING	NOMINAL CLEAR DOOR OPENING	CAULKING ALLOWANCE
92.0"	92.3"	82.5"	1/4" TOP
96.0"	96.3"	86.5"	1/4" TOP

PRODUCT RENEWED
as complying with the Florida Building Code
NOA-No. 23-1127.02

Expiration Date 04-11-2028

By Ishag I. Chank
Miami-Dade Product Control

ENGINEERING EXPRESS®
POSTAL ADDRESS:
2234 NORTH FEDERAL HWY # 7664
BOCA RATON, FL 33431
ENGINEERINGEXPRESS.COM

ALLEGION ACCESS TECHNOLOGIES, LLC
65 SCOTT SWAMP RD.
FARMINGTON, CT 06032
SAT SERIES "DURA-SOTRM 2000/3000" AUTO SGD
BI-PARTING/SINGLE SLIDE (NI)
MIAMI-DADE NOTICE OF ACCEPTANCE

REMARKS	DATE
INIT ISSUE	11/13/23
DRWN	
CHKD	
RS	
SQ	

COPYRIGHT ENGINEERING EXPRESS®

23-67902

SCALE: NTS UNLESS NOTED

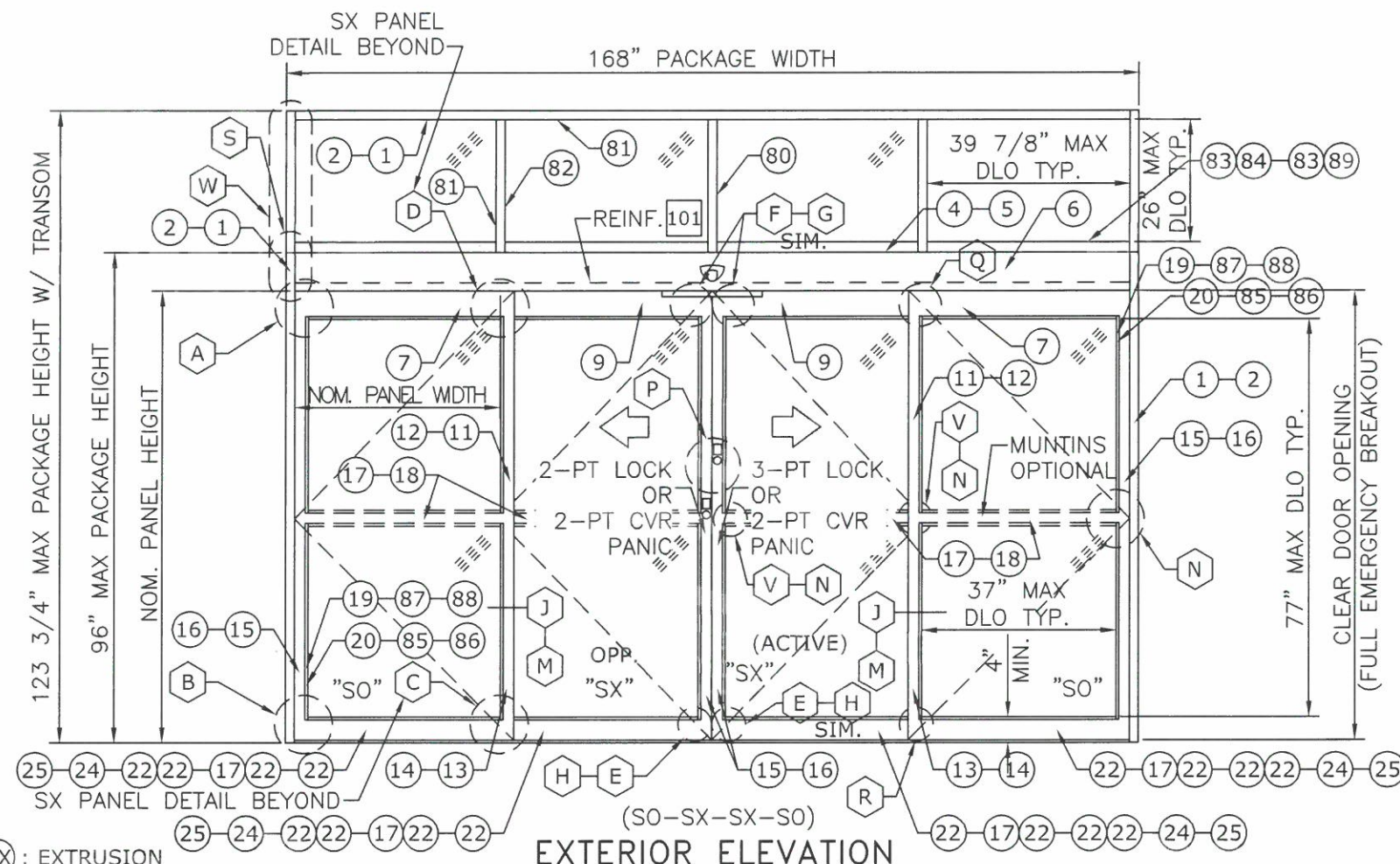
04 OF 19

c:\users\sam\engineering\express\production - documents\projects\23-1127\work\drawings & cad\2023 noa update\23-1127.02.dwg

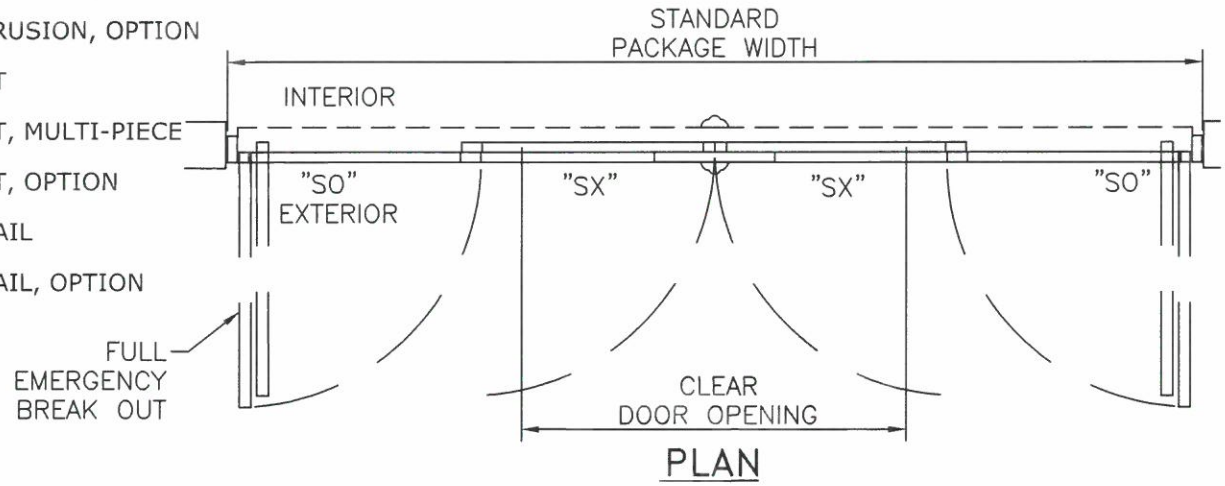
DURA-STORM SERIES 3000 ELEVATION AND PLAN

FRANK BENNARDO, PE
PE# 0046549 CA# 9885

JANUARY 9, 2024



- XX : EXTRUSION
- XXXX : EXTRUSION, MULTI-PIECE
- XX-XX : EXTRUSION, OPTION
- XX : PART
- XXXX : PART, MULTI-PIECE
- XX-XX : PART, OPTION
- XX : DETAIL
- XX-XX : DETAIL, OPTION



DESIGN RATINGS		
MISSILE IMPACT RATING		
<input checked="" type="checkbox"/>	NON-IMPACT RESISTANT	
DESIGN PRESSURE RATING (PSF[Pa])		
	WHERE WATER INFILTRATION RATING IS REQUIRED	WHERE WATER INFILTRATION RATING IS NOT REQUIRED
POSITIVE	NOT APPROVED	55 PSF
NEGATIVE	NOT APPROVED	55 PSF

SERIES 3000 AVAILABLE PACKAGE WIDTH INFORMATION*						
PACKAGE WIDTH	ROUGH OPENING	STILE TYPE	NOMINAL CLEAR DOOR OPENING	NOMINAL PANEL WIDTH (SX)	NOMINAL PANEL WIDTH (O)	CAULKING ALLOWANCE
168.0"	168.5"	NARROW	70.6"	42.7"	42.7"	1/4" / SIDE
168.0"	168.5"	MEDIUM	66.3"	43.4"	43.4"	1/4" / SIDE

SERIES 3000 AVAILABLE PACKAGE HEIGHT INFORMATION*			
PACKAGE HEIGHT	ROUGH OPENING	NOMINAL CLEAR DOOR OPENING	CAULKING ALLOWANCE
92.0"	92.3"	82.5"	1/4" TOP
96.0"	96.3"	86.5"	1/4" TOP

PRODUCT RENEWED
as complying with the Florida Building Code
NOA-No. 23-1127.02
Expiration Date 04-11-2028
By *Ishtaq I. Chande*
Miami-Dade Product Control

- NOTES**
- TYPICAL DOOR SHOWN. STILE, RAIL AND MUNTIN OPTIONS AVAILABLE AS INDICATED.
 - HORIZONTAL MUNTIN BAR NOT REQUIRED EXCEPT AT PANIC DEVICE, AS INDICATED BY DASHED LINES. MAX PANEL DLO: 37" W X 77 3/8" H, 36 3/4" H WITH PANIC MUNTIN AS SHOWN.
 - 4-POINT CVR LOCKING WITH G86 PANIC RELEASE (2-PT CVR ACTIVE & 2-PT CVR) AND 5-POINT LOCKING (3-PT ACTIVE & 2-PT) AVAILABLE. SEE SHEET 17.
 - PRODUCT SHALL BE MANUFACTURED AND INSTALLED IN ACCORDANCE WITH PRODUCT APPROVALS.
 - SEE SHEETS 7, 9, 10, 11, AND 12 FOR REQUIRED ANCHORAGE.
 - SEE SHEET 16 FOR GLAZING DETAILS.

ENGINEERING EXPRESS®
POSTAL ADDRESS:
2234 NORTH FEDERAL HWY #7664
BOCA RATON, FL 33431
ENGINEERINGEXPRESS.COM

ALLEGION ACCESS TECHNOLOGIES, LLC
65 SCOTT SWAMP RD.
FARMINGTON, CT 06032
SAT SERIES "DURA-SOTRM 2000/3000" AUTO SGD
BI-PARTING/SINGLE SLIDE (NI)
MIAMI-DADE NOTICE OF ACCEPTANCE

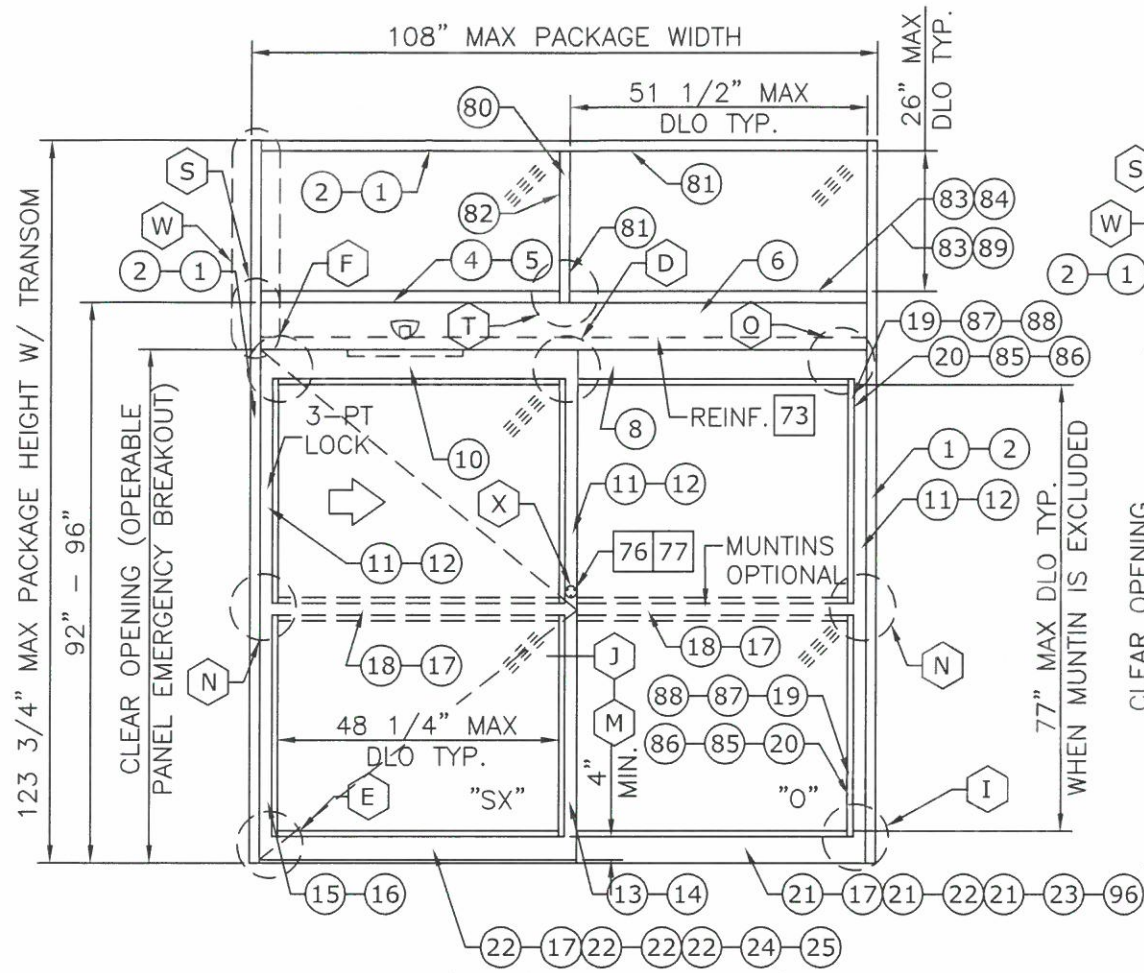
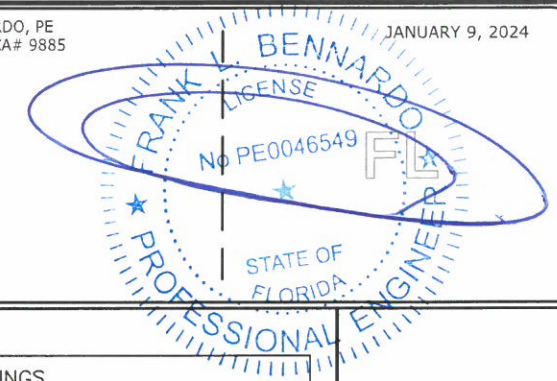
REMARKS	DATE
INIT ISSUE	11/13/23
DRWN	
CHKD	
RS	
SQ	

COPYRIGHT ENGINEERING EXPRESS®
23-67902
SCALE: NTS UNLESS NOTED

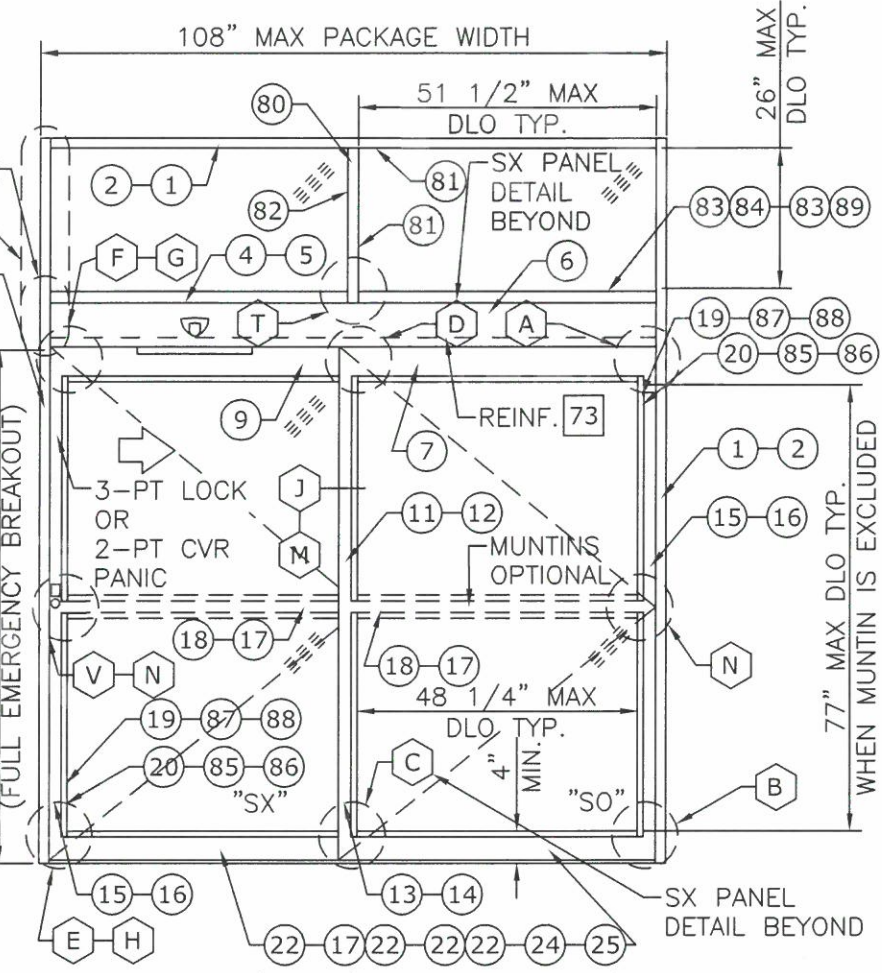
c:\users\sam\engineering\express\production - documents\projects\23-1127\work\drawings & cad\2023 noa update\23-1127.02.dwg

DURA-STORM SERIES 2000/3000 SINGLE SLIDES, ELEVATION AND PLAN

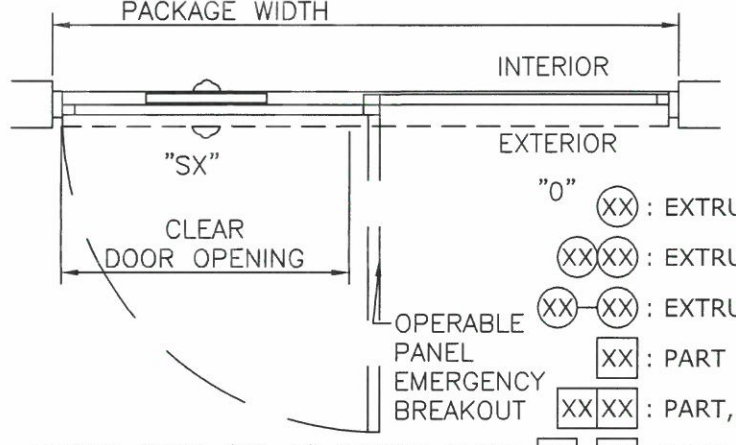
FRANK BENNARDO, PE
PE# 0046549 CA# 9885
JANUARY 9, 2024



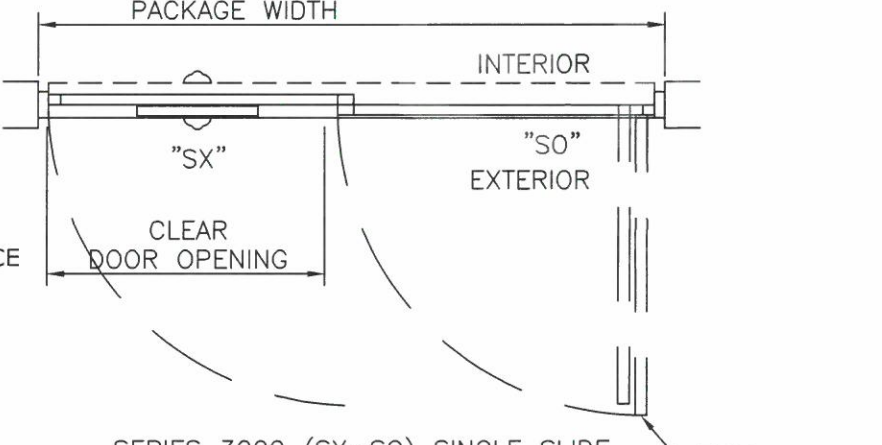
SERIES 2000 (SX-O) SINGLE SLIDE W/ TRANSOM
EXTERIOR ELEVATION



SERIES 3000 (SX-SO) SINGLE SLIDE W/ TRANSOM
EXTERIOR ELEVATION



SERIES 2000 (SX-O) SINGLE SLIDE
PLAN



SERIES 3000 (SX-SO) SINGLE SLIDE
PLAN

- XX : EXTRUSION
- XXXX : EXTRUSION, MULTI-PIECE
- XX-XX : EXTRUSION, OPTION
- XX : PART
- XXXX : PART, MULTI-PIECE
- XX-XX : PART, OPTION
- XX : DETAIL
- XX-XX : DETAIL, OPTION

- NOTES**
- TYPICAL DOOR SHOWN. STILE, RAIL AND MUNTIN OPTIONS AVAILABLE AS INDICATED.
 - HORIZONTAL MUNTIN BAR NOT REQUIRED EXCEPT AT PANIC DEVICE, AS INDICATED BY DASHED LINES. MAX PANEL DLO: 48 1/4" W X 77 1/16" H, 36 3/4" H WITH PANIC MUNTIN AS SHOWN. MAX TRANSOM DLO 51.5" W X 26" H.
 - 2-POINT CVR LOCKING WITH G86 PANIC RELEASE AND 3-POINT LOCKING AVAILABLE ON SERIES 3000. 3-POINT ONLY ON SERIES 2000. SEE SHEET 17.
 - PRODUCT SHALL BE MANUFACTURED AND INSTALLED IN ACCORDANCE WITH PRODUCT APPROVALS.
 - SEE SHEETS 7 THROUGH 12 FOR REQUIRED ANCHORAGE.
 - SEE SHEET 16 FOR GLAZING DETAILS.

DESIGN RATINGS		
MISSILE IMPACT RATING		
<input checked="" type="checkbox"/>	NON-IMPACT RESISTANT	
DESIGN PRESSURE RATING (PSF[Pa])		
	WHERE WATER INFILTRATION RATING IS REQUIRED	WHERE WATER INFILTRATION RATING IS NOT REQUIRED
POSITIVE	NOT APPROVED	55 PSF
NEGATIVE	NOT APPROVED	55 PSF

SERIES 2000 AND 3000 SINGLE SLIDE AVAILABLE PACKAGE WIDTH INFORMATION*						
PACKAGE WIDTH	ROUGH OPENING	STILE TYPE	NOMINAL CLEAR DOOR OPENING	NOMINAL PANEL WIDTH (SX)	NOMINAL PANEL WIDTH (O)	CAULKING ALLOWANCE
108.0"	108.5"	NARROW	46.4"	53.8"	53.8"	1/4" / SIDE
108.0"	108.5"	MEDIUM	44.3"	54.6"	54.6"	1/4" / SIDE

SERIES 2000 AND 3000 SINGLE SLIDE AVAILABLE PACKAGE HEIGHT INFORMATION*				
PACKAGE HEIGHT	ENTRANCE HEIGHT	ROUGH OPENING	NOMINAL CLEAR DOOR OPENING	CAULKING ALLOWANCE
119.8"	92.0"	92.3"	82.5"	1/4" TOP
123.8"	96.0"	96.3"	86.5"	1/4" TOP

* NOTE: THIS SYSTEM WAS TESTED AT A SIZE OF 108"X123-3/4", THESE TABLES INDICATE PACKAGE SIZES AVAILABLE FROM MANUFACTURER.

PRODUCT RENEWED
as complying with the Florida Building Code
NOA-No. 23-1127.02
Expiration Date 04-11-2028
By *Ishag I. Chande*
Miami-Dade Product Control

ENGINEERING EXPRESS
POSTAL ADDRESS:
2234 NORTH FEDERAL HWY #7664
BOCA RATON, FL 33431
ENGINEERINGEXPRESS.COM

ALLEGION ACCESS TECHNOLOGIES, LLC
65 SCOTT SWAMP RD.
FARMINGTON, CT 06032
SAT SERIES "DURA-SOTRM 2000/3000" AUTO SGD
BI-PARTING/SINGLE SLIDE (NI)
MIAMI-DADE NOTICE OF ACCEPTANCE

REMARKS	DATE
INT ISSUE	11/13/23
DRWN	
CHKD	
RS	
SQ	

23-67902

SCALE: NTS UNLESS NOTED

06 OF 19

c:\users\sam\engineering\express\production - documents\projects\23-123-67901 multiple 2023 noa product update noa 22-1207\work\drawings & cad\2023 noa update\23-1127.02.dwg

c:\users\sam\engineering\express\production - documents\projects\23-67901 multiple 2023 noa product update noa 22-1207\work\drawings & cad\2023 noa update\23-1127.02.dwg

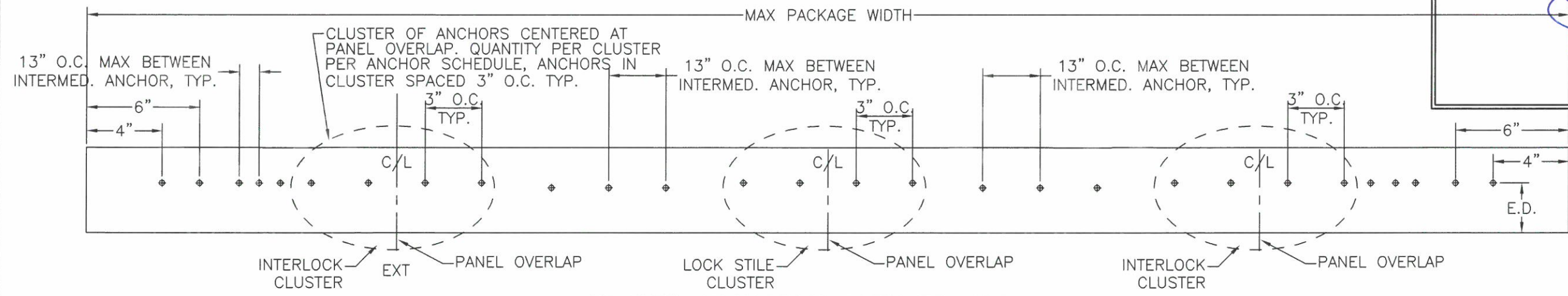
1/9/2024 9:25 AM SAM

DURA-STORM SERIES 2000/3000 HEADER ANCHORING

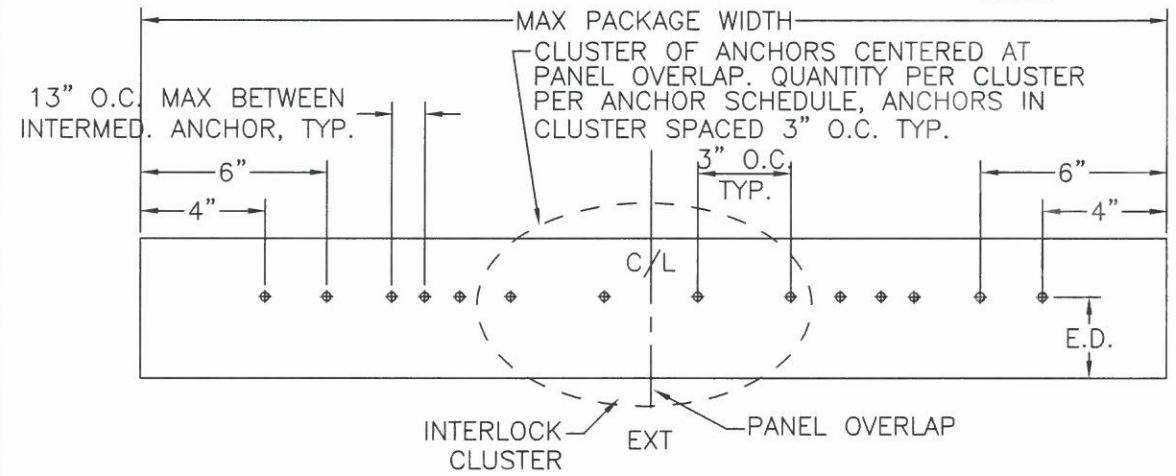
FRANK BENNARDO, PE
PE# 0046549 CA# 9885

JANUARY 9, 2024

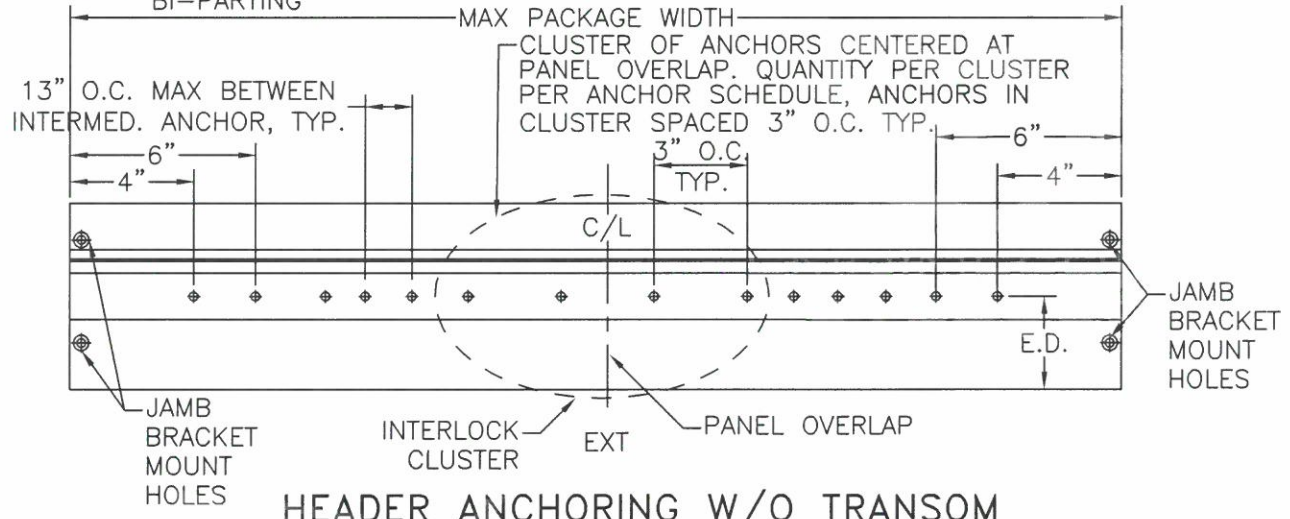
FRANK L. BENNARDO
PROFESSIONAL ENGINEER
STATE OF FLORIDA
No. PE0046549



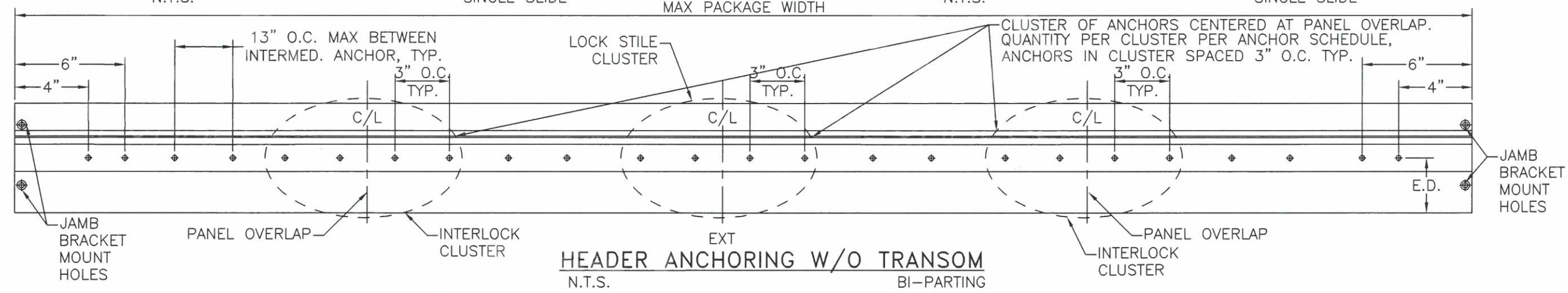
HEADER ANCHORING WITH TRANSOM
N.T.S.



HEADER ANCHORING WITH TRANSOM
N.T.S. SINGLE SLIDE



HEADER ANCHORING W/O TRANSOM
N.T.S. BI-PARTING



HEADER ANCHORING W/O TRANSOM
N.T.S. SINGLE SLIDE

HOST STRUCTURE	ANCHOR	EMBEDMENT	EDGE DISTANCE	ANCHOR SCHEDULE				MAX INTERMEDIATE ANCHOR SPACING ALONG HEAD & THRESHOLD	MAX ANCHOR SPACING ALONG JAMBS
				NUMBER OF ANCHORS PER INTERLOCK/LOCK STILE CLUSTER		SINGLE SLIDE	BI-PART		
				HEAD	THRESHOLD				
3KSI MIN. CONCRETE	1/4" POWERS/RAWL PERMASEAL TAPPER	1-1/2"	3"	4	4	6	6	13" O.C. MAX	17-5/8" O.C. MAX
3/16" MIN. A36 STEEL	1/4-20 SAE GR. 5 SMS	FULL THREAD ENGAGEMENT	1/2"	4	4	N/A	N/A	13" O.C. MAX	17-5/8" O.C. MAX
G=0.55 MIN. WOOD	#14 WOOD SCREW	2"	3/4"	4	4	N/A	N/A	13" O.C. MAX	17-5/8" O.C. MAX
0.090" MIN. 6063-T5 ALUM.	#14 SAE GR. 5 SDS	FULL THREAD ENGAGEMENT	1/2"	4	4	N/A	N/A	13" O.C. MAX	17-5/8" O.C. MAX

PRODUCT RENEWED
as complying with the Florida Building Code
NOA-No. 23-1127.02
Expiration Date 04-11-2028
By *Ishag I. Chan*
Miami-Dade Product Control

SEE JAMB ANCHORS SHEETS 8 THROUGH 10, AND THRESHOLD ANCHORS SHEET 12. THRESHOLD ANCHORS APPLICABLE ONLY TO 3KSI CONCRETE.

ENGINEERING EXPRESS
POSTAL ADDRESS:
2234 NORTH FEDERAL HWY # 7664
BOCA RATON, FL 33431
ENGINEERINGEXPRESS.COM

ALLEGION ACCESS TECHNOLOGIES, LLC
65 SCOTT SWAMP RD.
FARMINGTON, CT 06032
SAT SERIES "DURA-SOTRM 2000/3000" AUTO SGD
BI-PARTING/SINGLE SLIDE (NI)
MIAMI-DADE NOTICE OF ACCEPTANCE



DRWN	CHKD	DATE
RS		11/13/23
SQ		

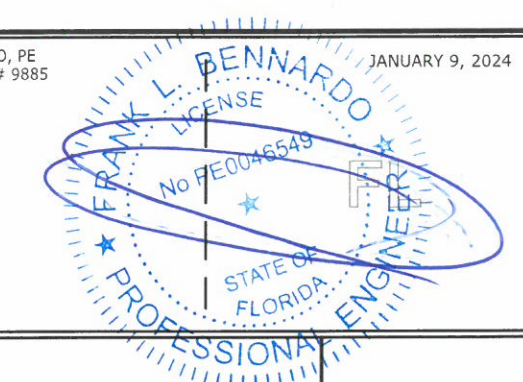
REMARKS
INIT ISSUE

COPYRIGHT ENGINEERING EXPRESS®

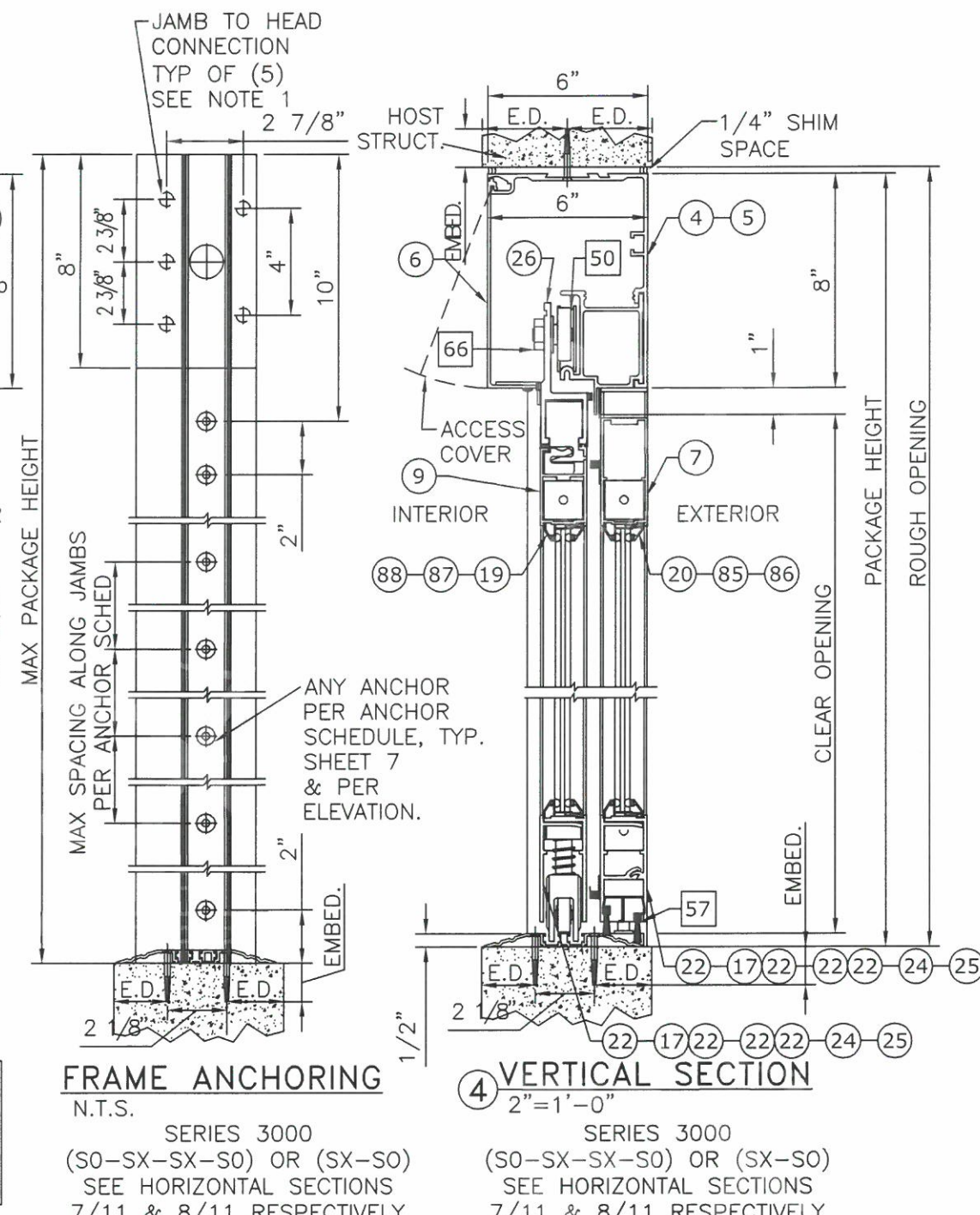
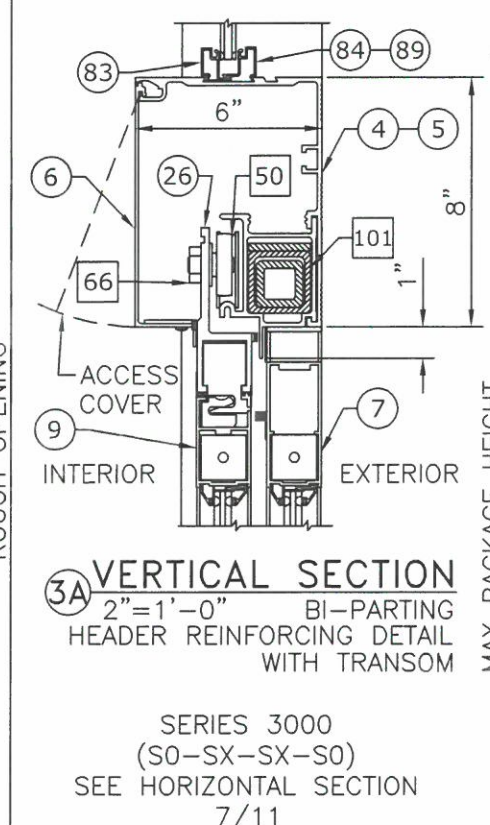
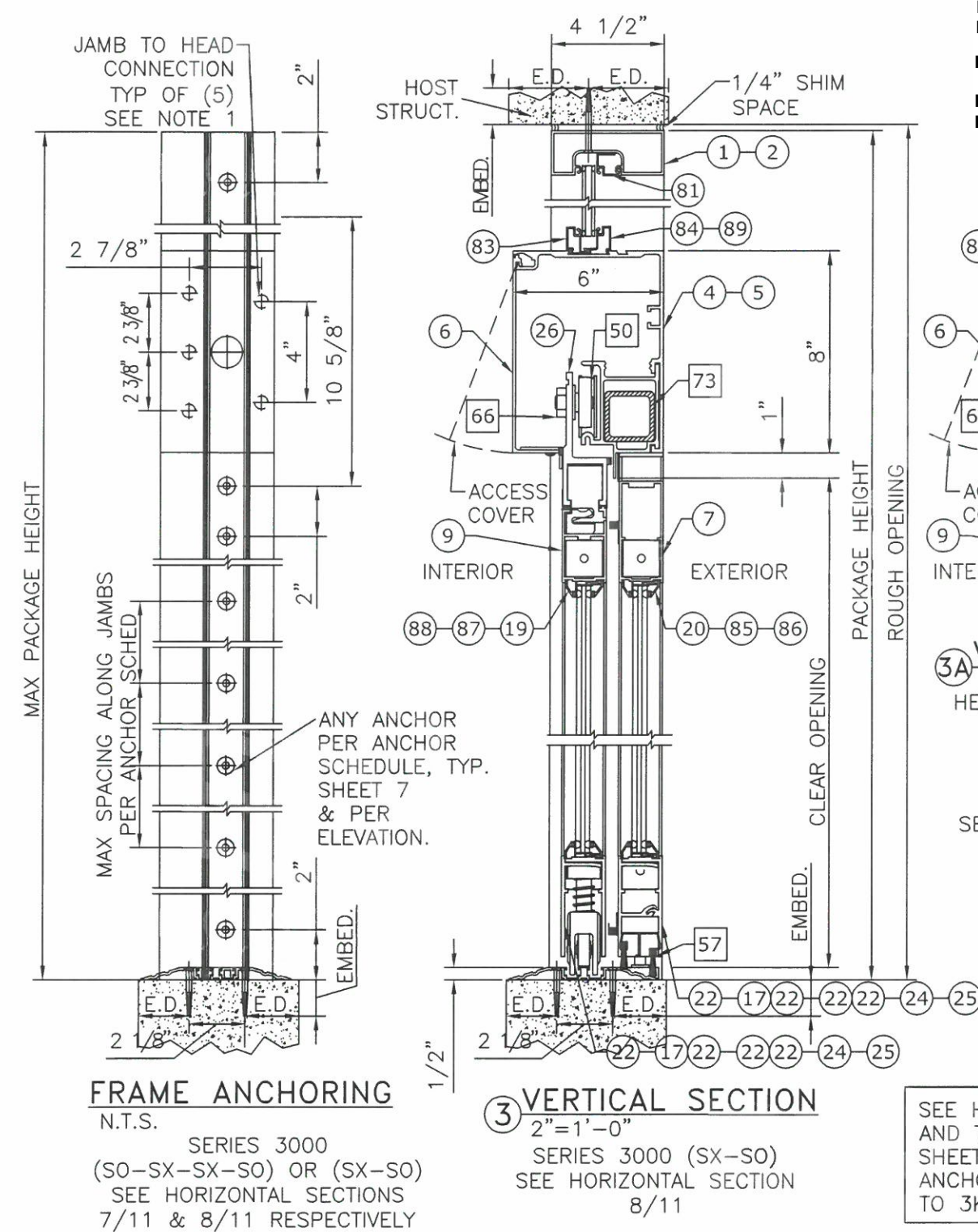
23-67902
SCALE: NTS UNLESS NOTED

DURA-STORM SERIES 3000 JAMB SECTIONS & ANCHORING, W/ STD 5-POINT LOCKING

FRANK BENNARDO, PE
PE# 0046549 CA# 9885
JANUARY 9, 2024



PRODUCT RENEWED
as complying with the Florida
Building Code
NOA-No. 23-1127.02
Expiration Date 04-11-2028
By *Ishag I. Chank*
Miami-Dade Product Control



SEE HEAD ANCHORS SHEET 7, AND THRESHOLD ANCHORS SHEET 12. THRESHOLD ANCHORS APPLICABLE ONLY TO 3KSI CONCRETE.

NOTE: SEE SHEET 7 FOR ANCHOR SCHEDULE AND ALLOWABLE ANCHOR TYPES

c:\users\sam\engineering\express\production - documents\projects\23-123-67901 multiple 2023 noa product update noa 22-1207\work\drawings & cad\2023 noa update\23-1127.02.dwg

- NOTES**
- JAMB TO HEAD CONNECTION FASTENERS; 5/16-18 HHMS WITH WASHER.
 - SEE SHEET 14 FOR STACKED BOTTOM RAIL OPTIONS.

ENGINEERING EXPRESS
POSTAL ADDRESS:
2234 NORTH FEDERAL HWY #7664
BOCA RATON, FL 33431
ENGINEERINGEXPRESS.COM

ALLEGION ACCESS TECHNOLOGIES, LLC
65 SCOTT SWAMP RD.
FARMINGTON, CT 06032
SAT SERIES "DURA-SOTRM" 2000/3000" AUTO SGD
BI-PARTING/SINGLE SLIDE (NI)
MIAMI-DADE NOTICE OF ACCEPTANCE

DRWN	CHKD	DATE
RS	RS	11/13/23
SQ		

REMARKS
INIT ISSUE

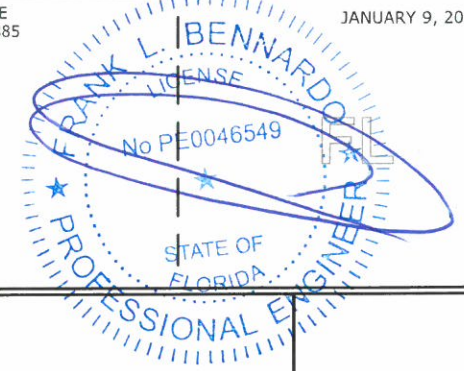
COPYRIGHT ENGINEERING EXPRESS®

23-67902
SCALE: NTS UNLESS NOTED
09 OF 19

DURA-STORM SERIES 3000 JAMB SECTIONS & ANCHORING, W/ 4-POINT CVR LOCKING

FRANK BENNARDO, PE
PE# 0046549 CA# 9885

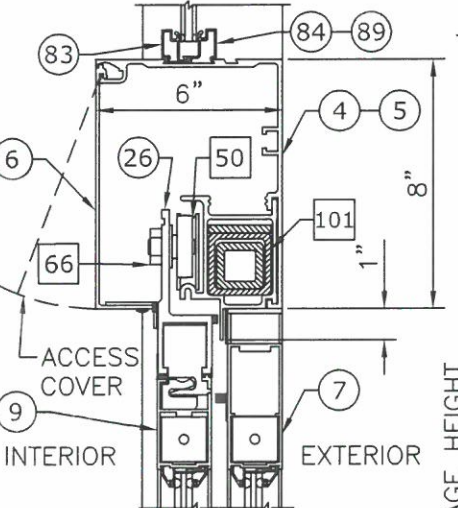
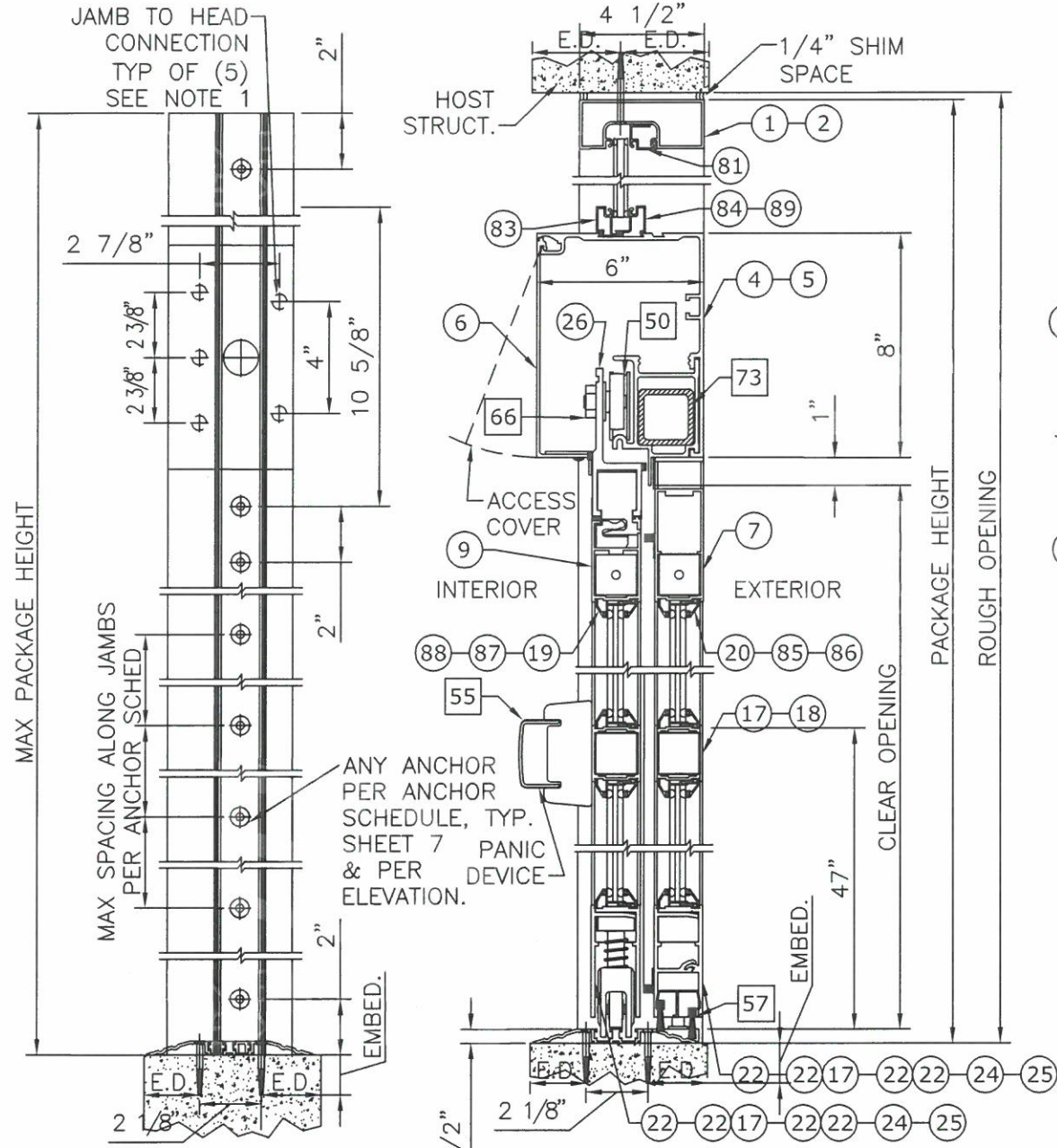
JANUARY 9, 2024



PRODUCT RENEWED
as complying with the Florida
Building Code
NOA-No. 23-1127.02

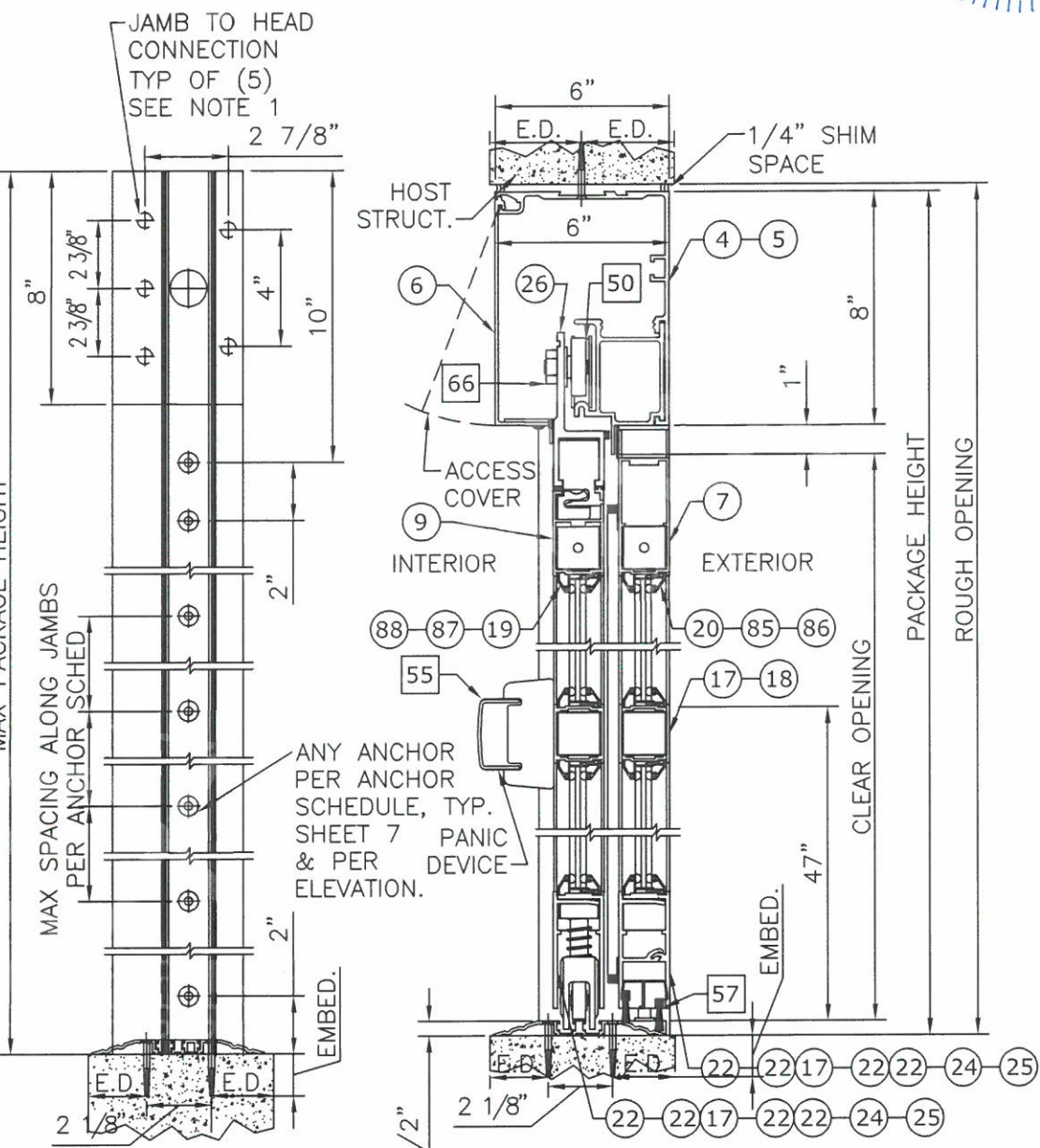
Expiration Date 04-11-2028

By Isheq I. Chand
Miami-Dade Product Control



5A VERTICAL SECTION
2"=1'-0" BI-PARTING
HEADER REINFORCING DETAIL
WITH TRANSOM

SERIES 3000
(S0-SX-SX-S0)
SEE HORIZONTAL SECTION
9/11



6 VERTICAL SECTION
2"=1'-0"

SERIES 3000 (S0-SX-SX-S0)
OR (SX-S0)
SEE HORIZONTAL SECTIONS
9/11 & 10/11 RESPECTIVELY

SEE HEAD ANCHORS SHEET 7,
AND THRESHOLD ANCHORS
SHEET 12. THRESHOLD
ANCHORS APPLICABLE ONLY
TO 3KSI CONCRETE.

**NOTE: SEE SHEET 7 FOR ANCHOR SCHEDULE
AND ALLOWABLE ANCHOR TYPES**

FRAME ANCHORING
N.T.S.

SERIES 3000
(S0-SX-SX-S0) OR (SX-S0)
SEE HORIZONTAL SECTIONS
9/11 & 10/11 RESPECTIVELY

5 VERTICAL SECTION
2"=1'-0"

SERIES 3000 (SX-S0)
SEE HORIZONTAL SECTION
10/11

FRAME ANCHORING
N.T.S.

SERIES 3000
(S0-SX-SX-S0) OR (SX-S0)
SEE HORIZONTAL SECTIONS
9/11 & 10/11 RESPECTIVELY

6 VERTICAL SECTION
2"=1'-0"

SERIES 3000 (S0-SX-SX-S0)
OR (SX-S0)
SEE HORIZONTAL SECTIONS
9/11 & 10/11 RESPECTIVELY

WITH TRANSOM

WITHOUT TRANSOM

- NOTES**
- JAMB TO HEAD CONNECTION FASTENERS; 5/16-18 HHMS WITH WASHER.
 - SEE SHEET 14 FOR STACKED BOTTOM RAIL OPTIONS.

ENGINEERING EXPRESS
ALLEGION ACCESS TECHNOLOGIES, LLC
65 SCOTT SWAMP RD.
FARMINGTON, CT 06032
SAT SERIES "DURA-SOTRM 2000/3000" AUTO SGD
BI-PARTING/SINGLE SLIDE (NI)
MIAMI-DADE NOTICE OF ACCEPTANCE

POSTAL ADDRESS:
2234 NORTH FEDERAL HWY #7664
BOCA RATON, FL 33431
ENGINEERINGEXPRESS.COM



DRWN	CHKD	DATE
SQ	RS	11/13/23
INIT	ISSUE	
REMARKS		

23-67902

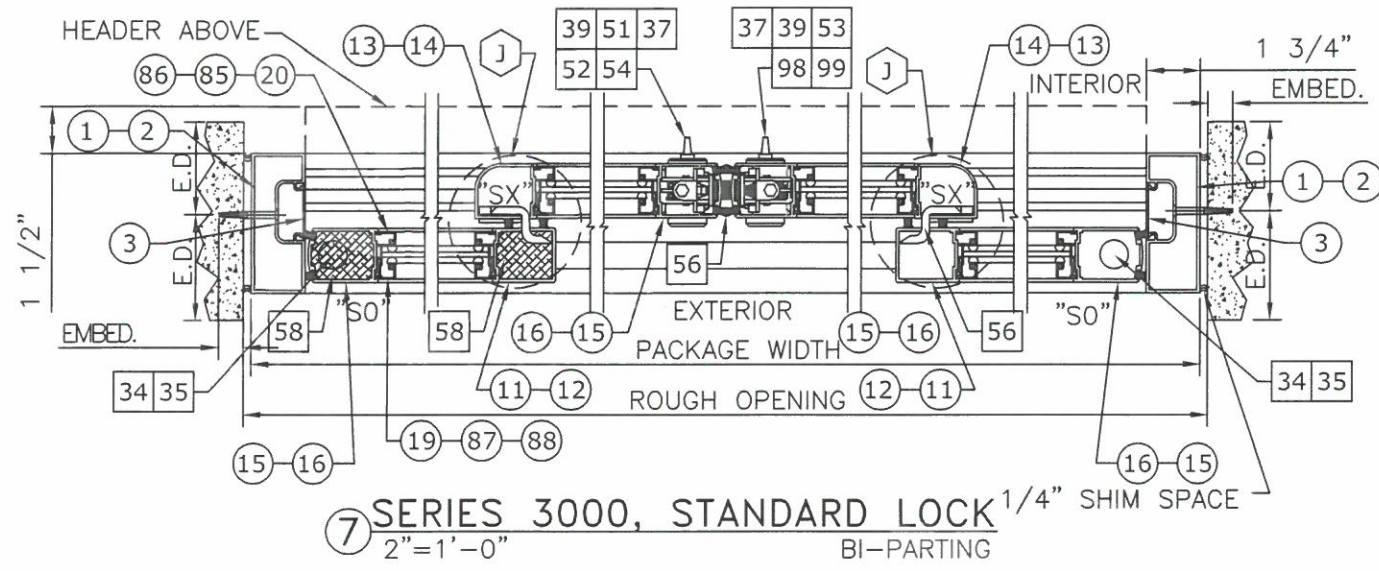
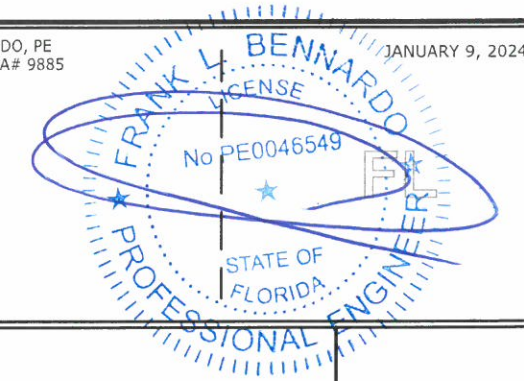
SCALE: NTS UNLESS NOTED

L:\9\2024 9:25 AM SAM c:\users\sam\engineering\express\production - documents\projects\23-67901 multiple 2023 noa product update noa 22-1207\work\drawings & cad\2023 noa update\23-1127.02.dwg

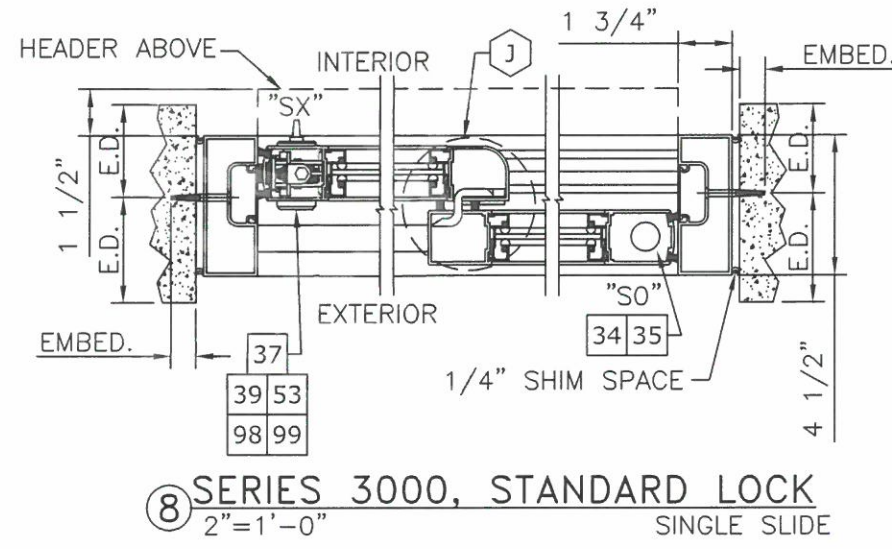
DURA-STORM SERIES 2000/3000 HORIZONTAL SECTIONS & ANCHORING

FRANK BENNARDO, PE
PE# 0046549 CA# 9885

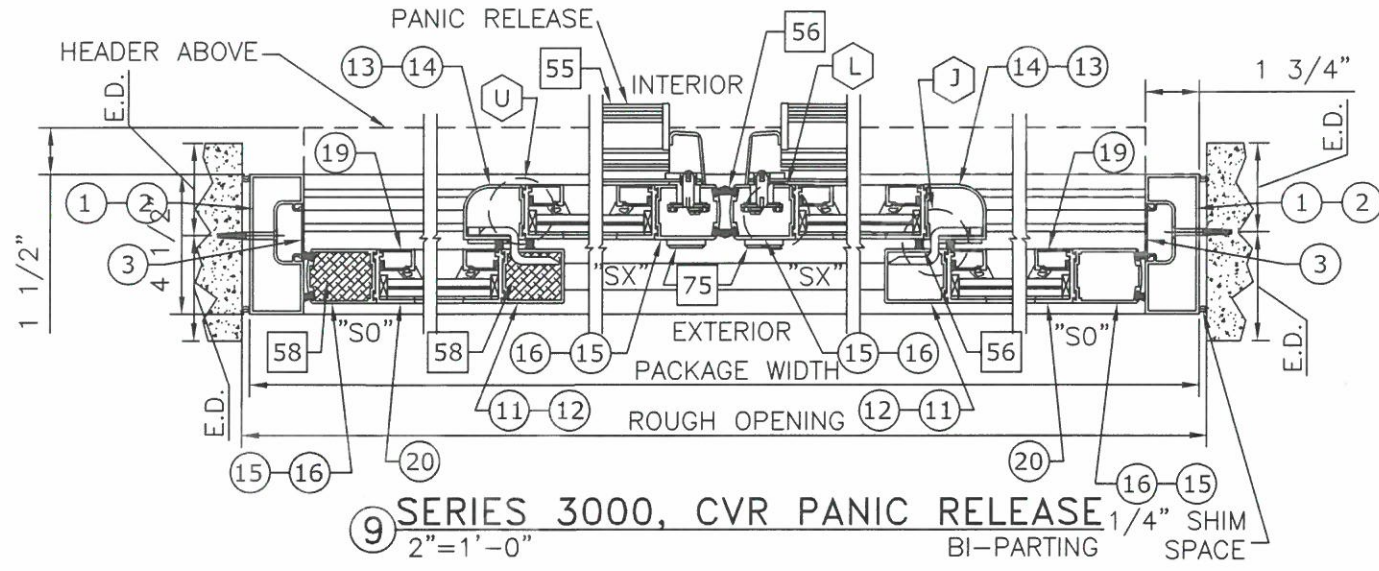
JANUARY 9, 2024



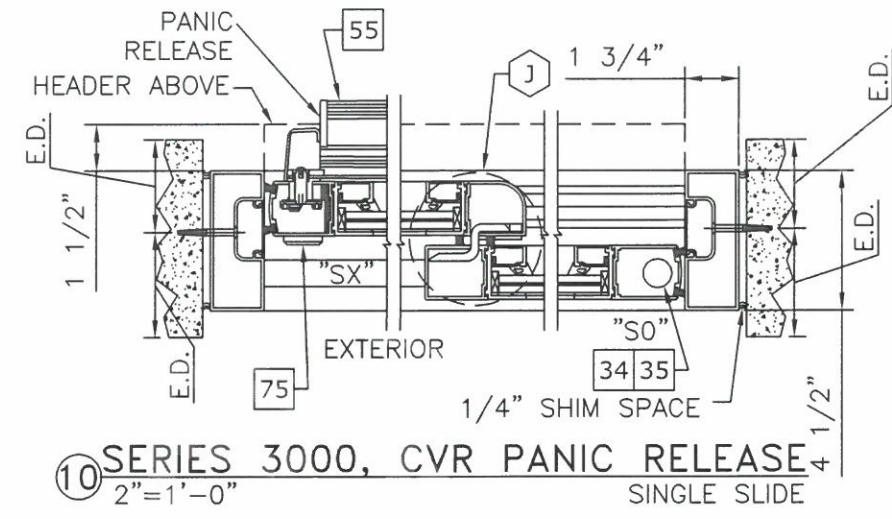
7 SERIES 3000, STANDARD LOCK
2"=1'-0" BI-PARTING



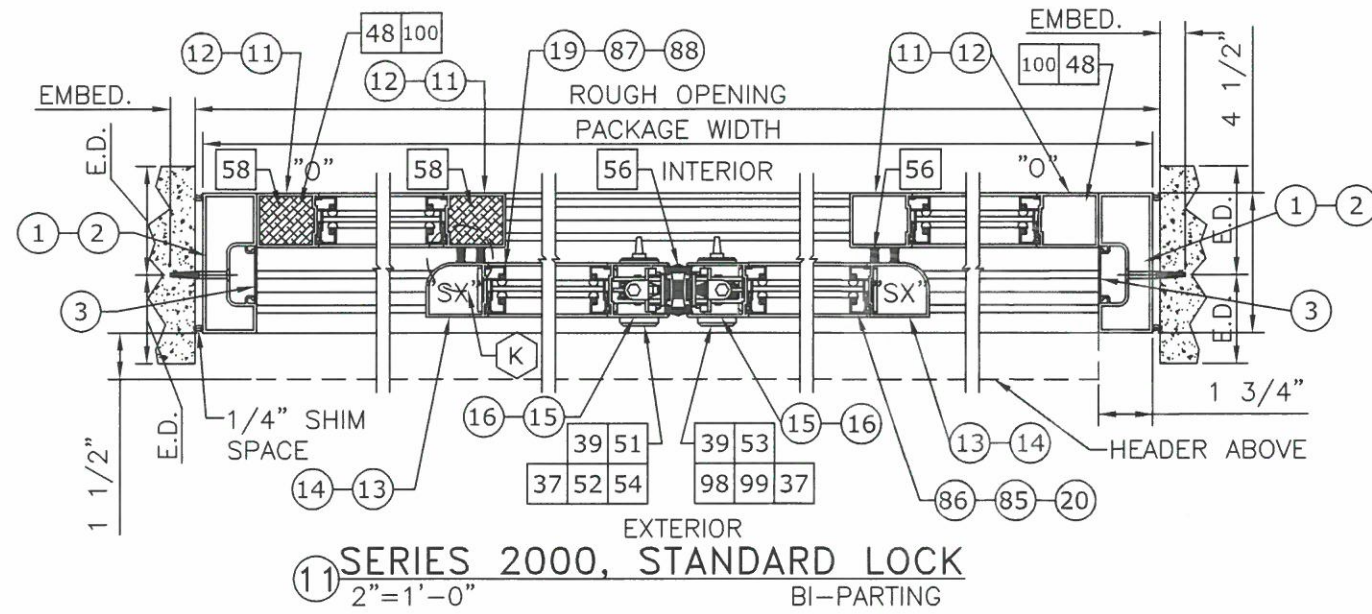
8 SERIES 3000, STANDARD LOCK
2"=1'-0" SINGLE SLIDE



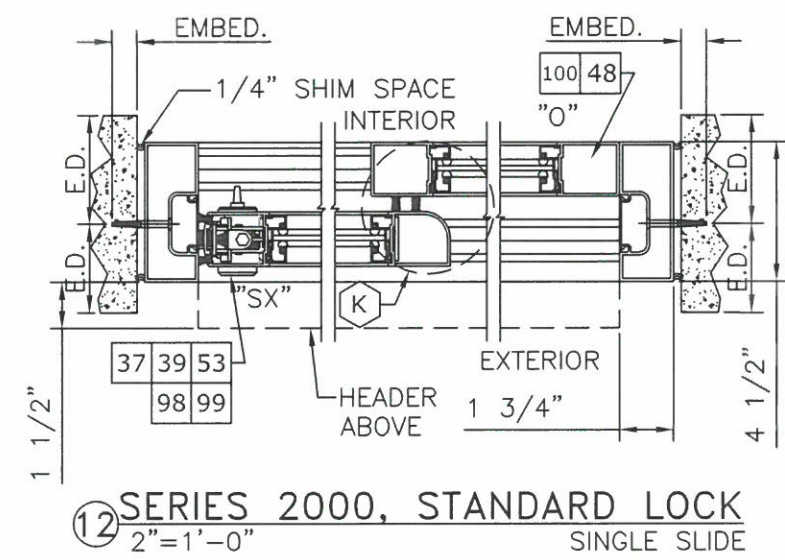
9 SERIES 3000, CVR PANIC RELEASE
2"=1'-0" BI-PARTING



10 SERIES 3000, CVR PANIC RELEASE
2"=1'-0" SINGLE SLIDE



11 SERIES 2000, STANDARD LOCK
2"=1'-0" BI-PARTING



12 SERIES 2000, STANDARD LOCK
2"=1'-0" SINGLE SLIDE

- XX : EXTRUSION
- XX-XX : EXTRUSION, MULTI-PIECE
- XX-XX : EXTRUSION, OPTION
- XX : PART
- XX-XX : PART, MULTI-PIECE
- XX-XX : PART, OPTION
- XX : DETAIL
- XX-XX : DETAIL, OPTION

PRODUCT RENEWED
as complying with the Florida Building Code
NOA-No. 23-1127.02
Expiration Date 04-11-2028
By Ishag I. Chank
Miami-Dade Product Control

SEE HEAD ANCHORS SHEET 7,
AND THRESHOLD ANCHORS
SHEET 12. THRESHOLD
ANCHORS APPLICABLE ONLY
TO 3KSI CONCRETE.

ENGINEERING EXPRESS
POSTAL ADDRESS:
2234 NORTH FEDERAL HWY #7664
BOCA RATON, FL 33431
ENGINEERINGEXPRESS.COM

ALLEGION ACCESS TECHNOLOGIES, LLC
65 SCOTT SWAMP RD.
FARMINGTON, CT 06032
SAT SERIES "DURA-SOTRM 2000/3000" AUTO SGD
BI-PARTING/SINGLE SLIDE (NI)
MIAMI-DADE NOTICE OF ACCEPTANCE



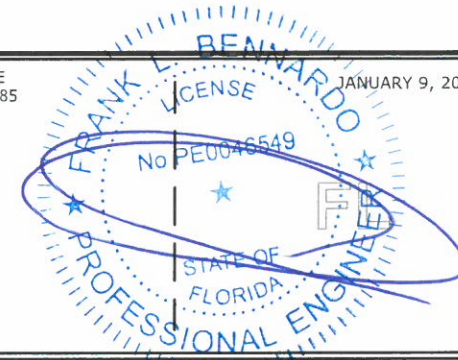
DRWN	CHKD	DATE
		11/13/23
	RS	
	SQ	

COPYRIGHT ENGINEERING EXPRESS®
23-67902
SCALE: NTS UNLESS NOTED

c:\users\sam\engineering\express\production - documents\projects\23-67901 multiple 2023 noa product update noa 22-1207\work\drawings & cad\2023 noa update\23-1127.02.dwg

DURA-STORM SERIES 2000/3000 THRESHOLDS & ANCHORING

FRANK BENNARDO, PE
PE# 0046549 CA# 9885
JANUARY 9, 2024

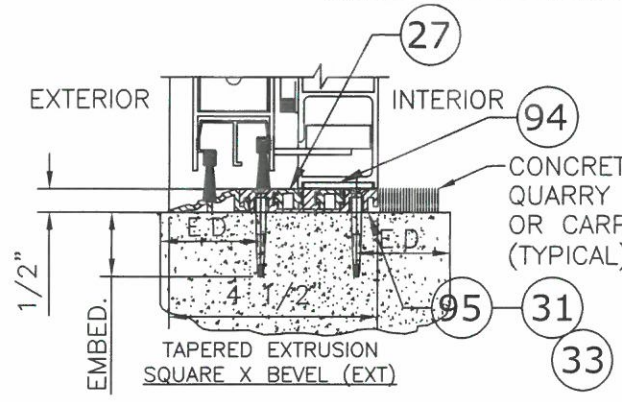


NOTE: USE CONCRETE ANCHOR PER ANCHOR SCHEDULE FOR ALL THRESHOLD ANCHORAGE DETAILS SHOWN HEREIN. SEE SHEET 7 FOR ANCHOR SCHEDULE AND ALLOWABLE CONCRETE ANCHOR TYPES

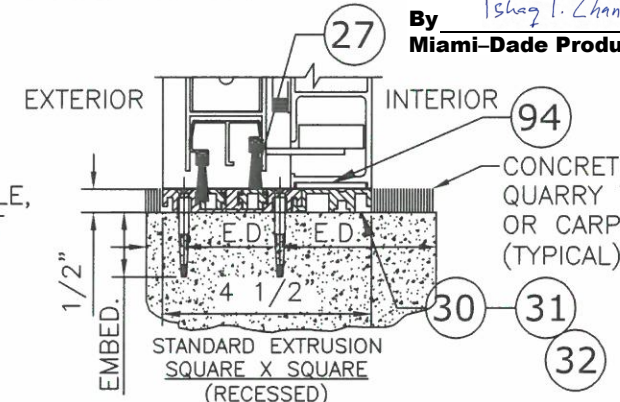
PRODUCT RENEWED
as complying with the Florida Building Code
NOA-No. 23-1127.02
Expiration Date 04-11-2028

SEE HEAD ANCHORS SHEET 7, AND JAMB ANCHORS SHEETS 8 THROUGH 10.

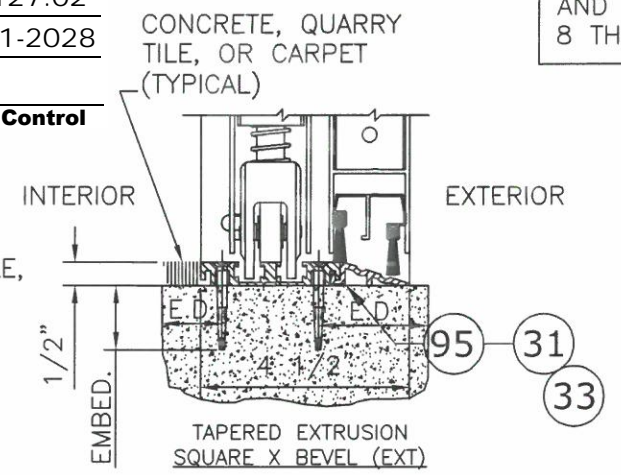
By *Isaac I. Chan*
Miami-Dade Product Control



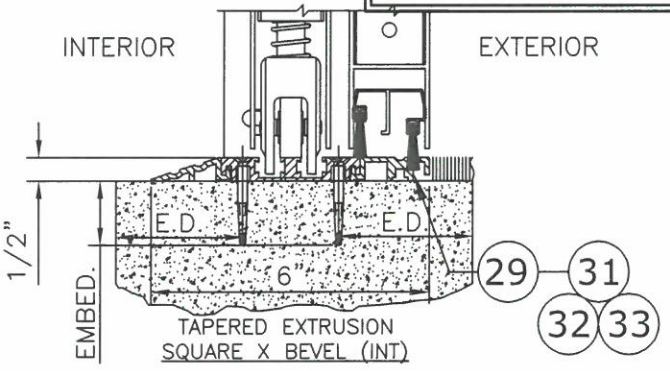
THRESHOLD-TAPERED EXT
3"=1'-0" 2000



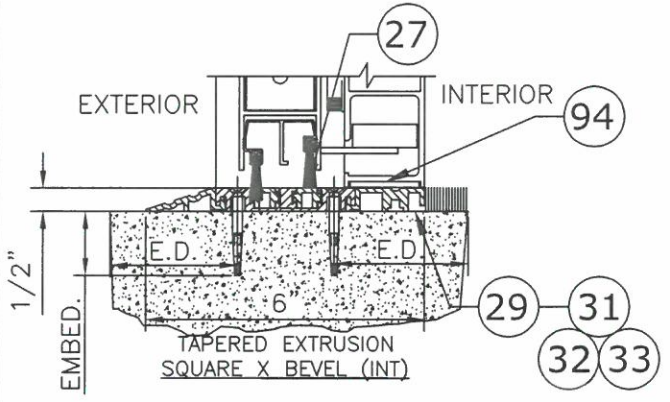
THRESHOLD-SQUARE
3"=1'-0" 2000



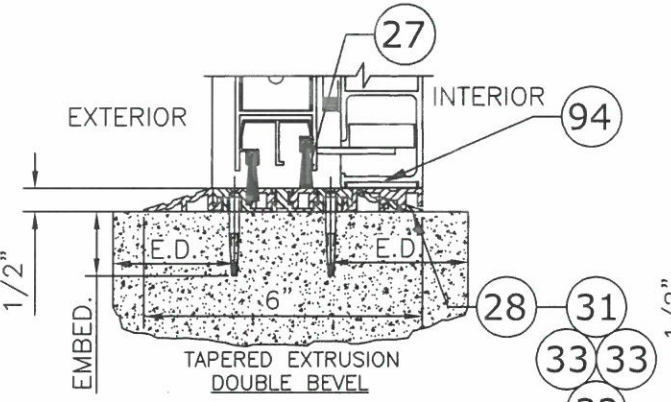
THRESHOLD-TAPERED EXT
3"=1'-0" 3000



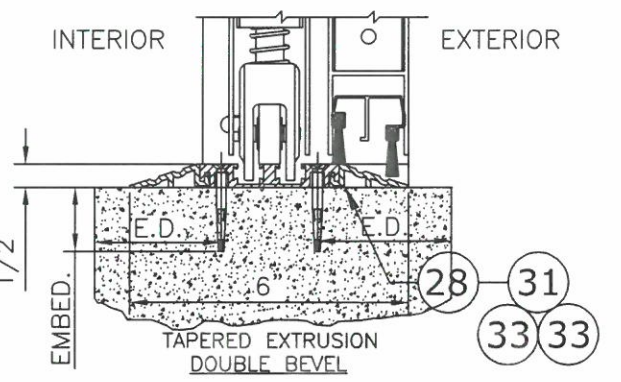
THRESHOLD-TAPERED INT
3"=1'-0" 3000



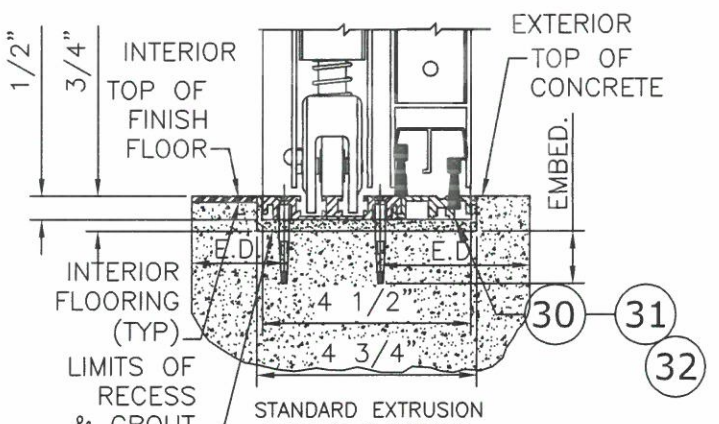
THRESHOLD-TAPERED INT
3"=1'-0" 2000



THRESHOLD-TAPERED
3"=1'-0" 2000

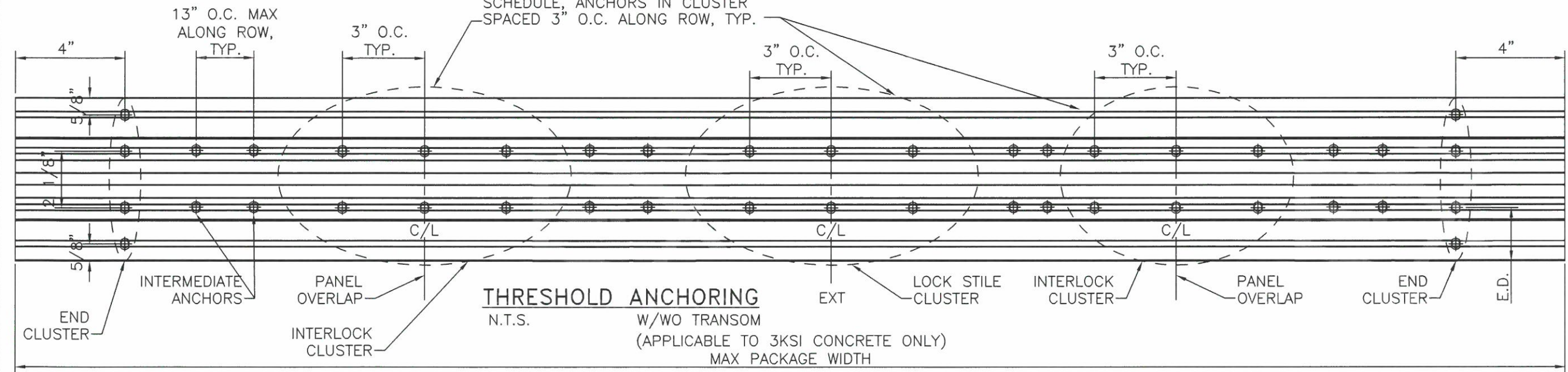


THRESHOLD-TAPERED
3"=1'-0" 3000



THRESHOLD-SQUARE
3"=1'-0" 3000

CLUSTER OF ANCHORS IN (2) ROWS CENTERED AT PANEL OVERLAP. QUANTITY PER CLUSTER PER ANCHOR SCHEDULE, ANCHORS IN CLUSTER SPACED 3" O.C. ALONG ROW, TYP.



THRESHOLD ANCHORING
N.T.S. W/WO TRANSOM
(APPLICABLE TO 3KSI CONCRETE ONLY)
MAX PACKAGE WIDTH

ENGINEERING EXPRESS
POSTAL ADDRESS:
2234 NORTH FEDERAL HWY #7664
BOCA RATON, FL 33431
ENGINEERINGEXPRESS.COM

ALLEGION ACCESS TECHNOLOGIES, LLC
65 SCOTT SWAMP RD.
FARMINGTON, CT 06032
SAT SERIES "DURA-SOTRM 2000/3000" AUTO SGD
BI-PARTING/SINGLE SLIDE (NI)
MIAMI-DADE NOTICE OF ACCEPTANCE

DRWN	CHKD	DATE
SQ	RS	11/13/23

23-67902
SCALE: NTS UNLESS NOTED

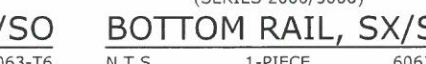
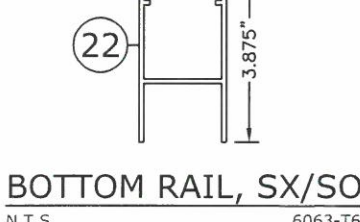
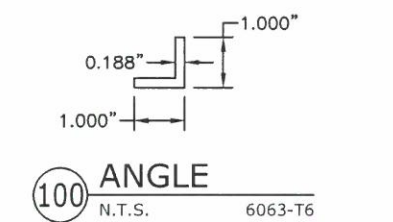
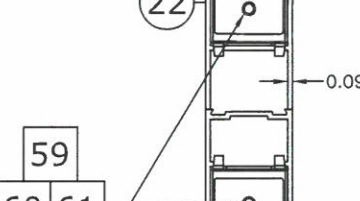
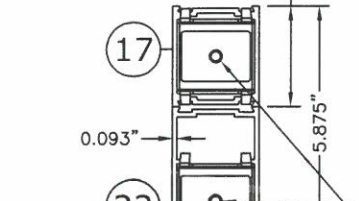
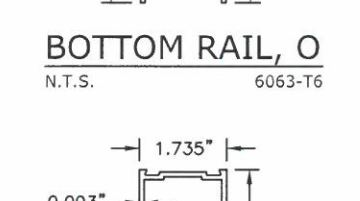
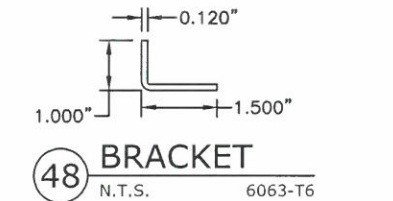
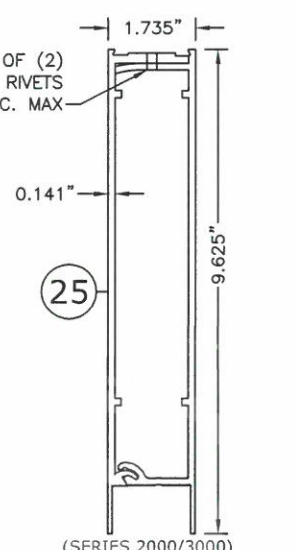
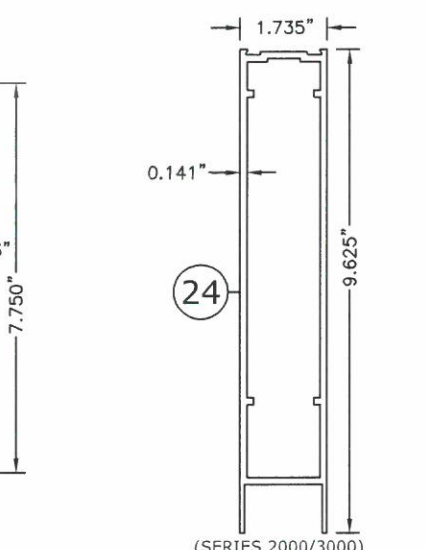
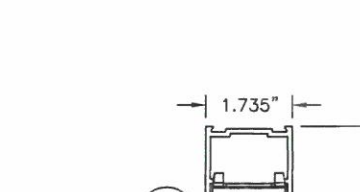
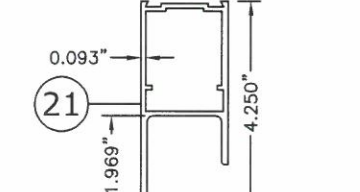
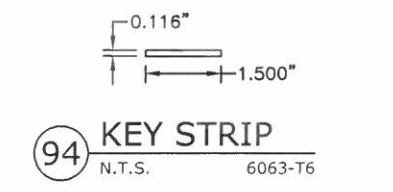
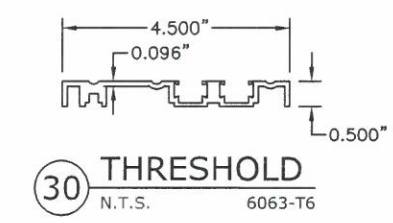
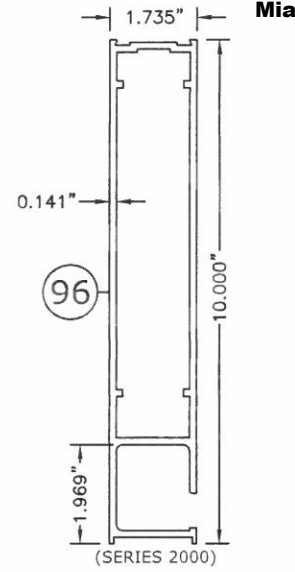
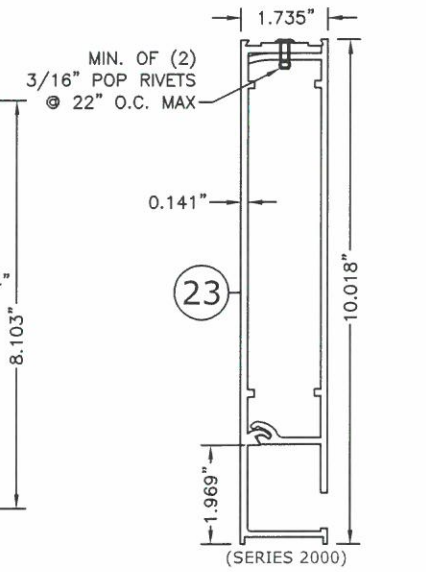
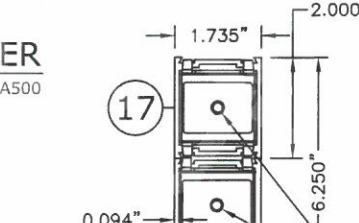
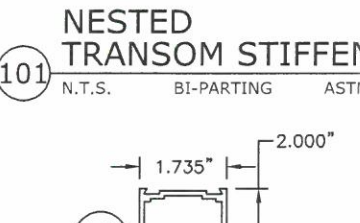
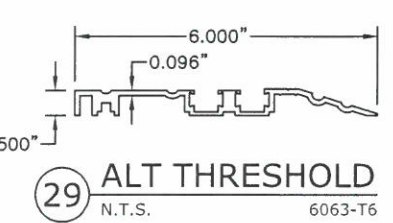
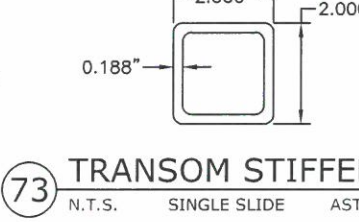
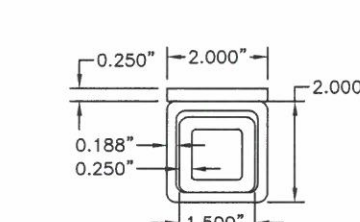
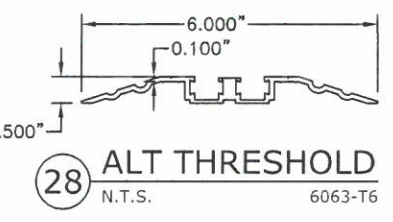
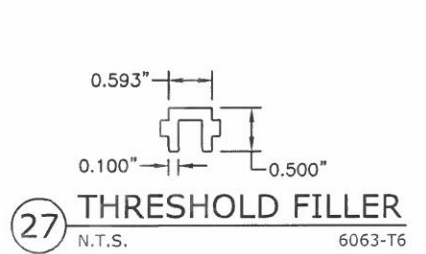
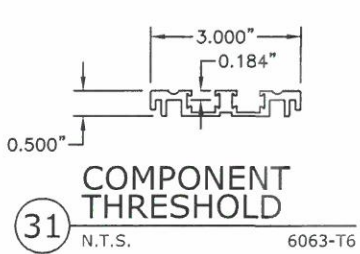
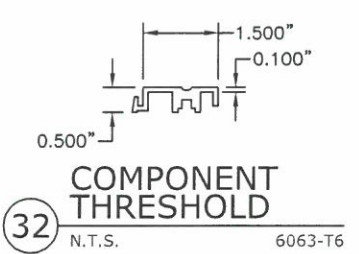
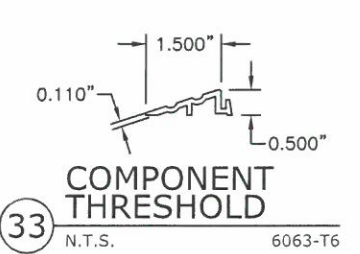
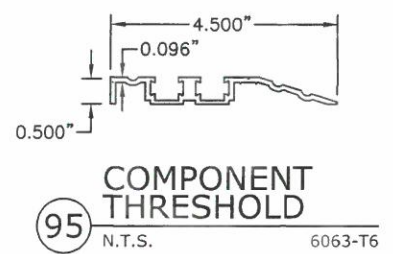
c:\users\sam\engineering\express\production - documents\projects\23-1207\work\drawings & cad\2023 noa update\23-1127.02.dwg
1/9/2024 9:25 AM SAM

DURA-STORM SERIES 2000/3000 EXTRUSIONS

FRANK BENNARDO, PE
PE# 0046549 CA# 9885

JANUARY 9, 2024

FRANK L. BENNARDO
LICENSE
No. PEC046549
STATE OF
FLORIDA
PROFESSIONAL ENGINEER



PRODUCT RENEWED
as complying with the Florida
Building Code
NOA-No. 23-1127.02
Expiration Date 04-11-2028
By *Ishag I. Chank*
Miami-Dade Product Control

ENGINEERING EXPRESS
POSTAL ADDRESS:
2234 NORTH FEDERAL HWY #7664
BOCA RATON, FL 33431
ENGINEERINGEXPRESS.COM

ALLEGION ACCESS TECHNOLOGIES, LLC
65 SCOTT SWAMP RD.
FARMINGTON, CT 06032
SAT SERIES "DURA-SOTRM 2000/3000" AUTO SGD
BI-PARTING/SINGLE SLIDE (NI)
MIAMI-DADE NOTICE OF ACCEPTANCE

REMARKS	DATE
INIT ISSUE	11/13/23
DRWN	
CHKD	
RS	
SQ	

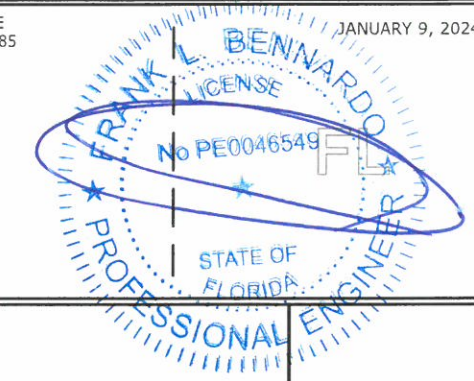
COPYRIGHT ENGINEERING EXPRESS®

23-67902
SCALE: NTS UNLESS NOTED

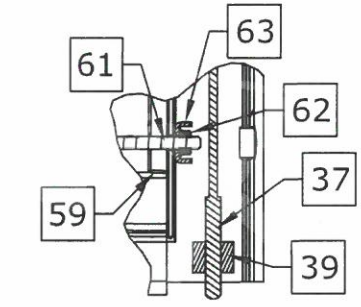
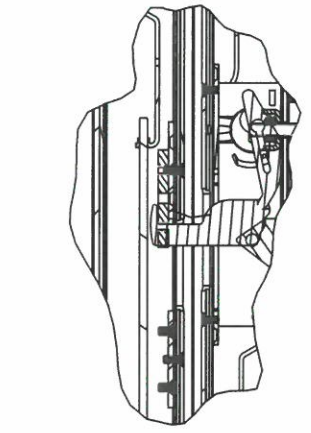
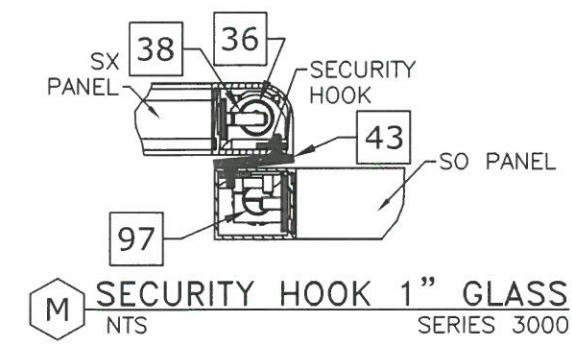
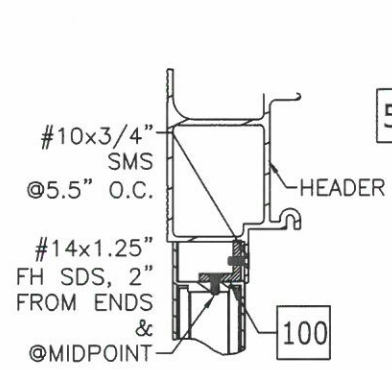
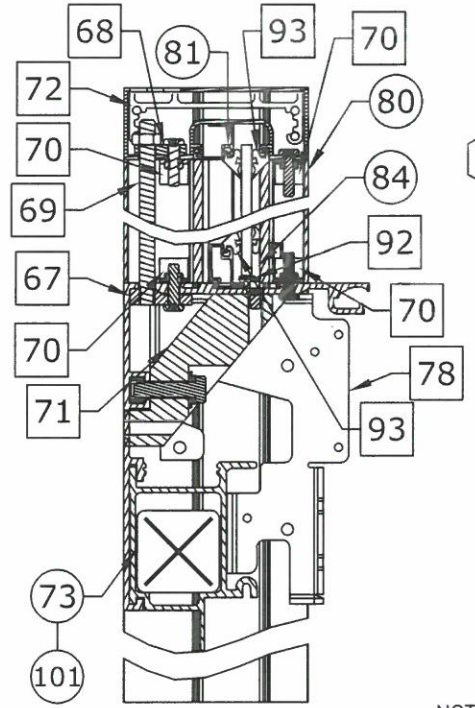
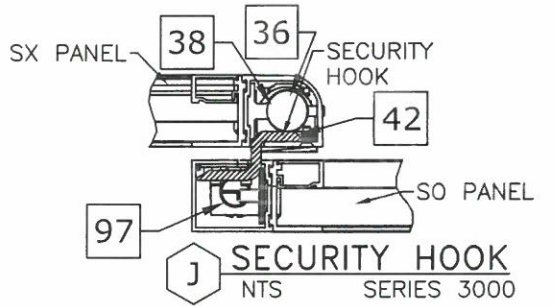
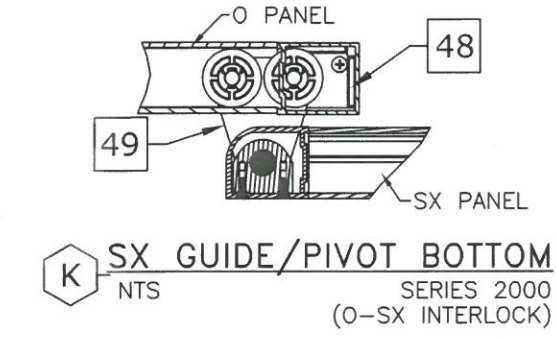
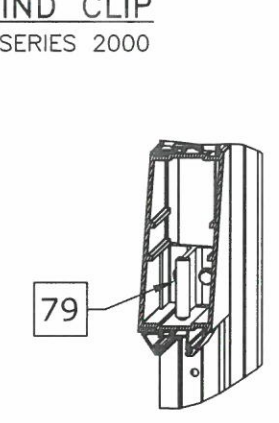
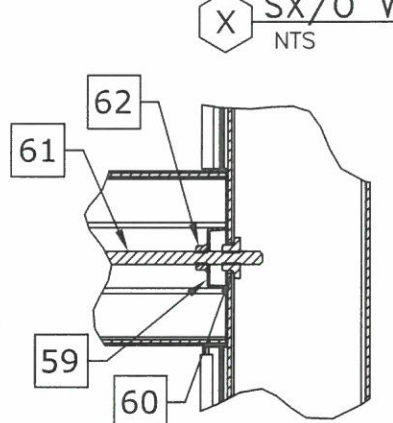
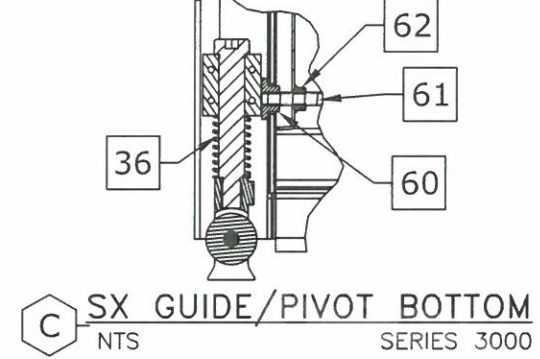
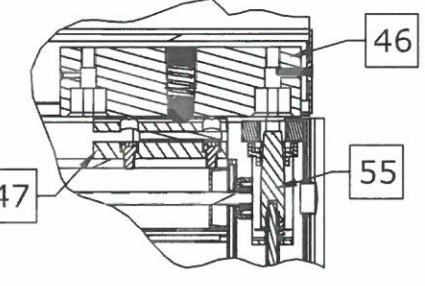
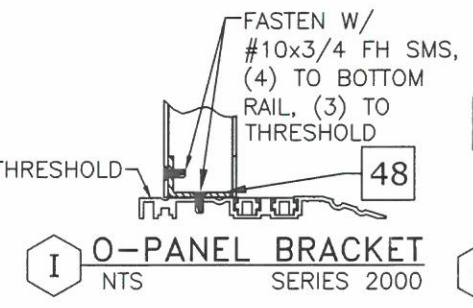
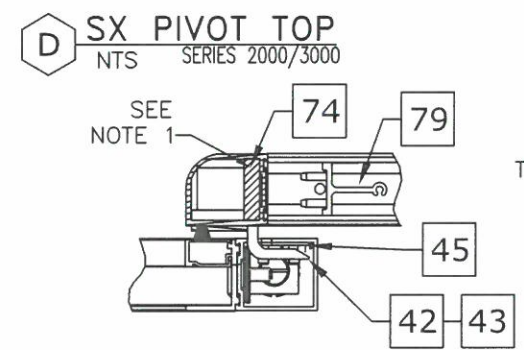
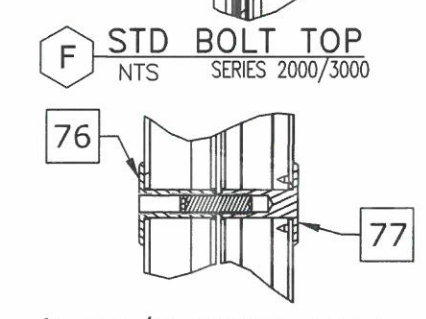
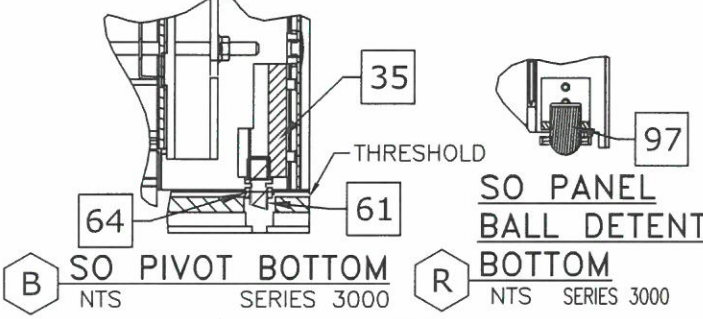
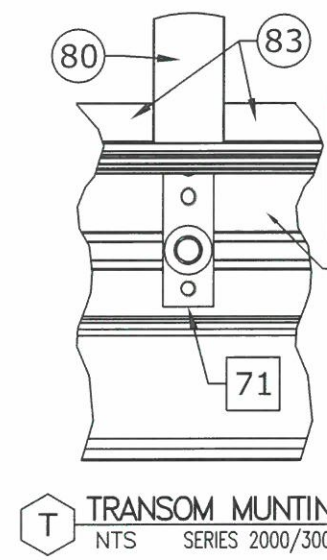
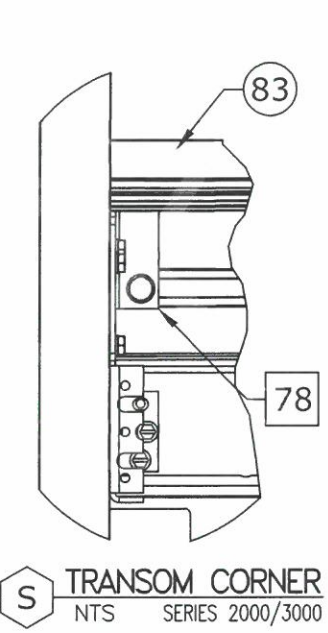
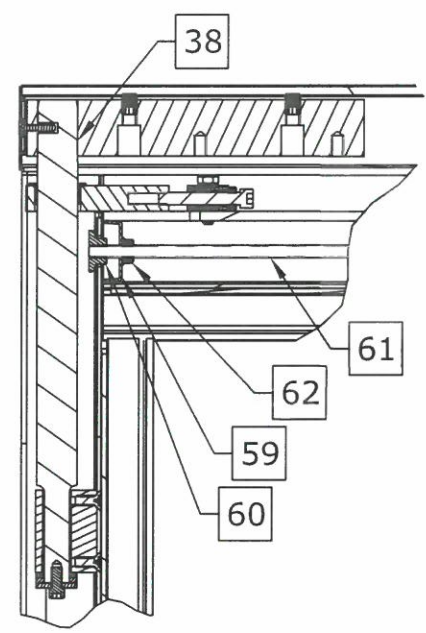
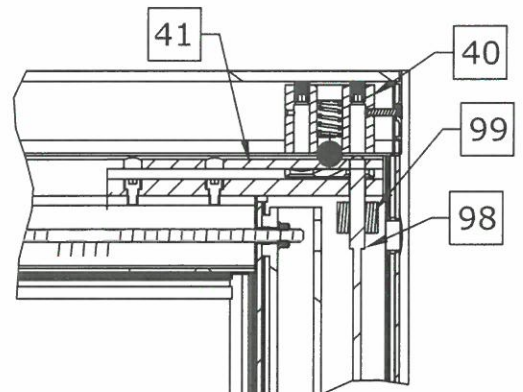
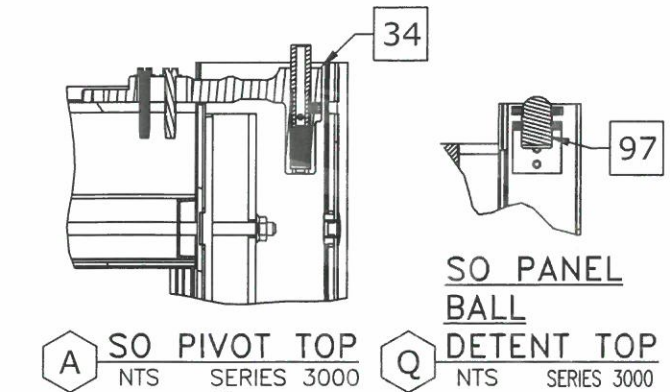
c:\users\sam\engineering\express\production - documents\projects\23-67901 multiple 2023 noa product update noa 22-1207\work\drawings & cad\2023 noa update\23-1127.02.dwg
1/9/2024 9:25 AM SAM

DURA-STORM SERIES 2000/3000 DETAILS

FRANK BENNARDO, PE
PE# 0046549 CA# 9885
JANUARY 9, 2024



PRODUCT RENEWED
as complying with the Florida
Building Code
NOA-No. 23-1127.02
Expiration Date 04-11-2028
By *Ishag I. Lhank*
Miami-Dade Product Control



NOTES
1. ITEM 74, "STEEL PLATE-PANIC REINFORCING", IS CONTAINED WITHIN VERTICAL STILE, HAS A MINIMUM LENGTH OF 48", AND IS CENTERED VERTICALLY ABOUT CENTERLINE OF HORIZONTAL MUNTIN. ITEM 74 IS FASTENED AS FOLLOWS: SINGLE ROW #10 X 32 X 1/2" FHTCMS @ 6" OC.

ENGINEERING EXPRESS
POSTAL ADDRESS:
2234 NORTH FEDERAL HWY #7664
BOCA RATON, FL 33431
ENGINEERINGEXPRESS.COM

ALLEGION ACCESS TECHNOLOGIES, LLC
65 SCOTT SWAMP RD.
FARMINGTON, CT 06032
SAT SERIES "DURA-SOTRM 2000/3000" AUTO SGD
BI-PARTING/SINGLE SLIDE (NI)
MIAMI-DADE NOTICE OF ACCEPTANCE

DRWN	CHKD	DATE
RS	RS	11/13/23
SQ		

REMARKS
INIT ISSUE

COPYRIGHT ENGINEERING EXPRESS®

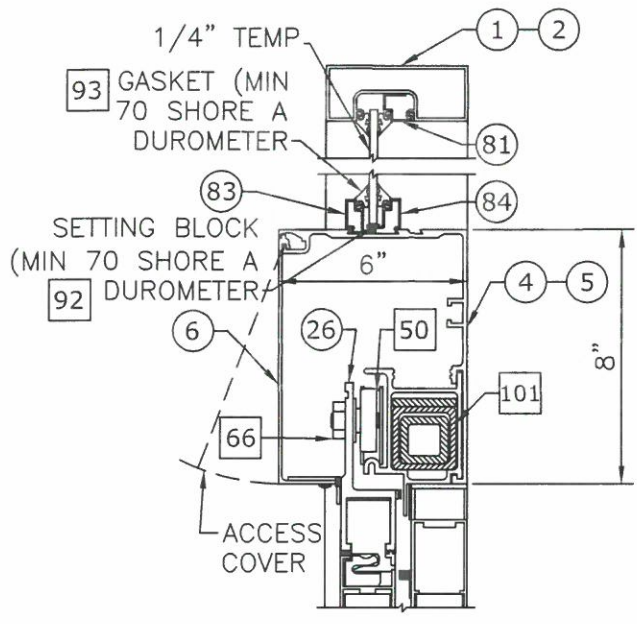
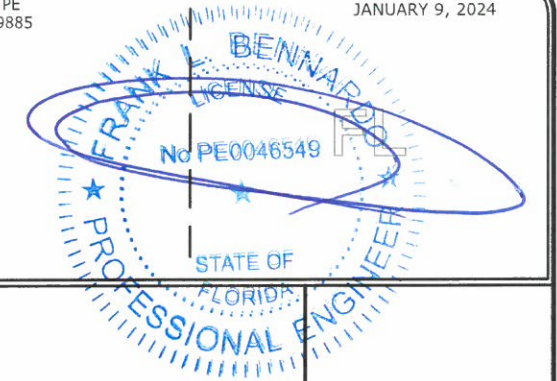
23-67902
SCALE: NTS UNLESS NOTED

c:\users\sam\engineering\express\production - documents\projects\23-67901 multiple 2023 noa product update noa 22-1207\work\drawings & cad\2023 noa update\23-1127.02.dwg

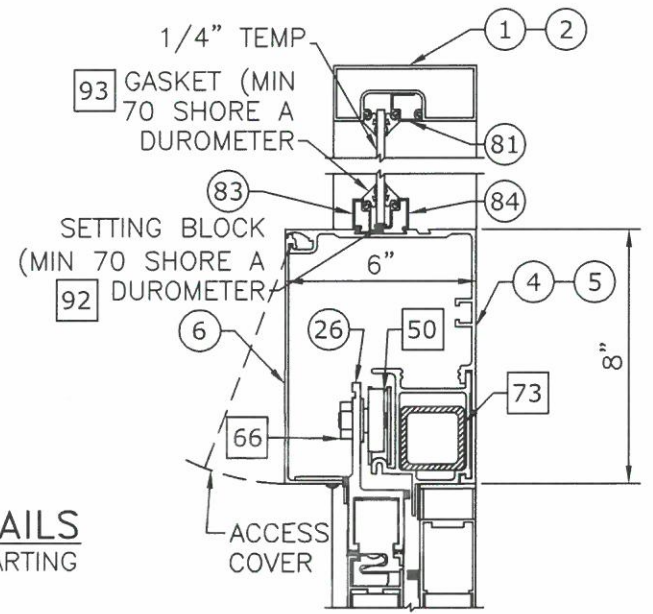
c:\users\sam\engineering\express\production - documents\projects\23-67901 multiple 2023 noa product update noa 22-1207\work\drawings & cad\2023 noa update\23-1127.02.dwg

DURA-STORM SERIES 2000/3000 TRANSOM GLAZING DETAILS

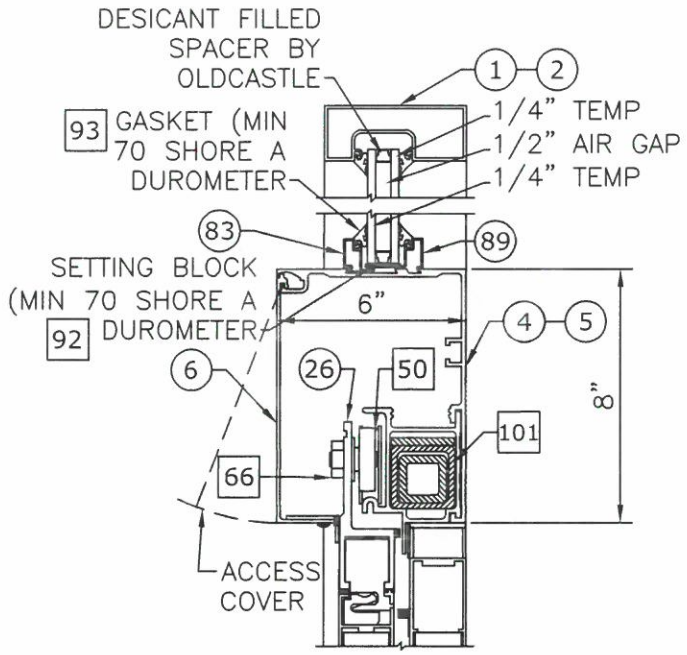
FRANK BENNARDO, PE
PE# 0046549 CA# 9885
JANUARY 9, 2024



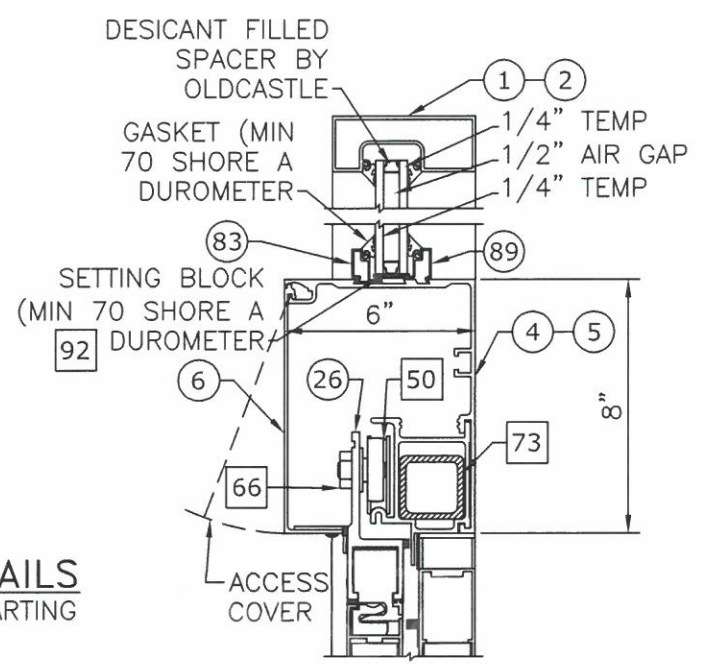
NON-IMPACT TRANSOM GLAZING DETAILS
NTS 1/4" TEMPERED V SECTION BI-PARTING



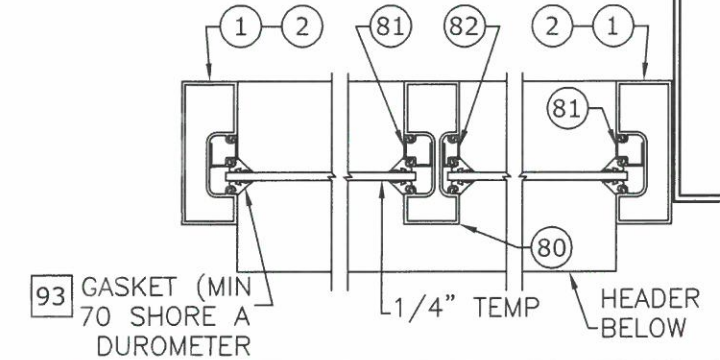
NON-IMPACT TRANSOM GLAZING DETAILS
NTS 1/4" TEMPERED V SECTION SINGLE SLIDE



NON-IMPACT TRANSOM GLAZING DETAILS
NTS 1" INSULATED V SECTION BI-PARTING

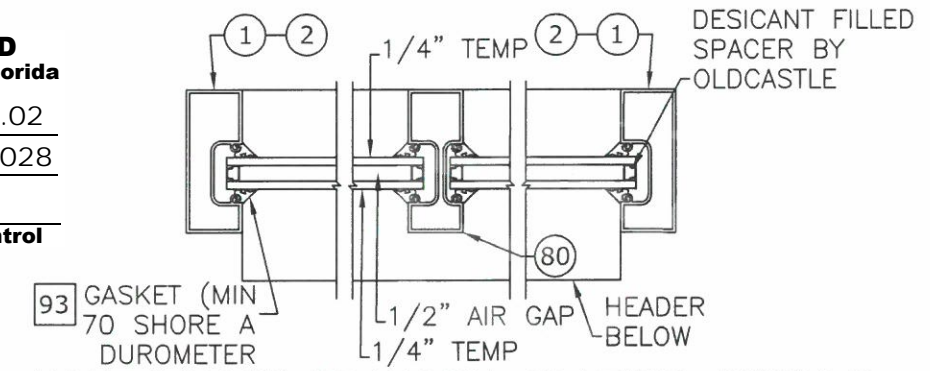


NON-IMPACT TRANSOM GLAZING DETAILS
NTS 1" INSULATED V SECTION SINGLE SLIDE

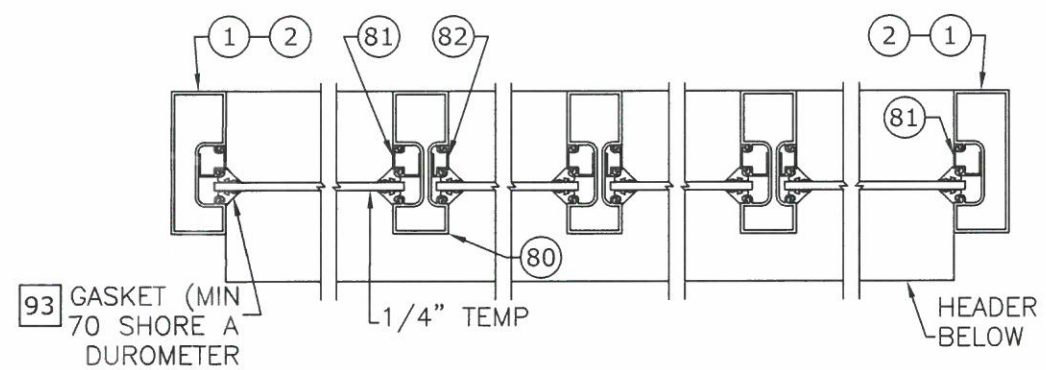


NON-IMPACT TRANSOM GLAZING DETAILS
NTS 1/4" TEMPERED H SECTION SINGLE SLIDE

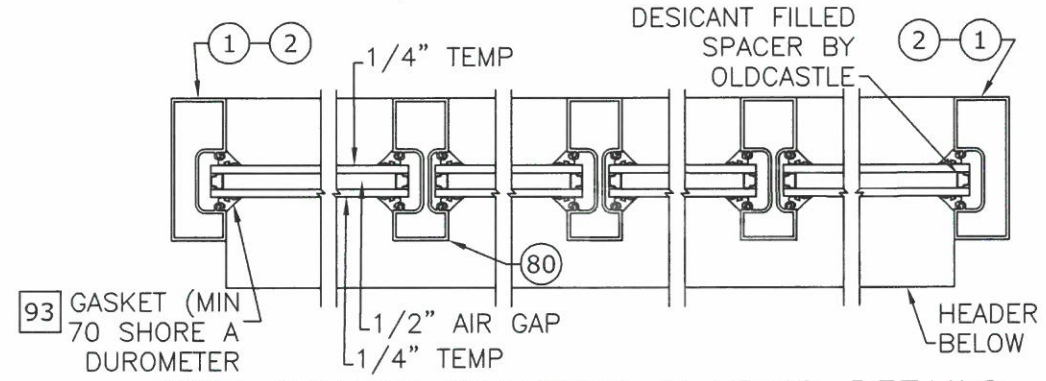
PRODUCT RENEWED
as complying with the Florida Building Code
NOA-No. 23-1127.02
Expiration Date 04-11-2028
By *Shag I. Chank*
Miami-Dade Product Control



NON-IMPACT TRANSOM GLAZING DETAILS
NTS 1" INSULATED H SECTION SINGLE SLIDE



NON-IMPACT TRANSOM GLAZING DETAILS
NTS 1/4" TEMPERED H SECTION BI-PARTING



NON-IMPACT TRANSOM GLAZING DETAILS
NTS 1" INSULATED H SECTION BI-PARTING

NOTES
1. SEE SHEET 18 FOR DOOR PANEL GLAZING DETAILS.

ENGINEERING EXPRESS
POSTAL ADDRESS:
2234 NORTH FEDERAL HWY #7664
BOCA RATON, FL 33431
ENGINEERINGEXPRESS.COM

ALLEGION ACCESS TECHNOLOGIES, LLC
65 SCOTT SWAMP RD.
FARMINGTON, CT 06032
SAT SERIES "DURA-SOTRM 2000/3000" AUTO SGD
BI-PARTING/SINGLE SLIDE (NI)
MIAMI-DADE NOTICE OF ACCEPTANCE

DRWN	CHKD	DATE
RS		11/13/23
SQ		

REMARKS
INIT ISSUE

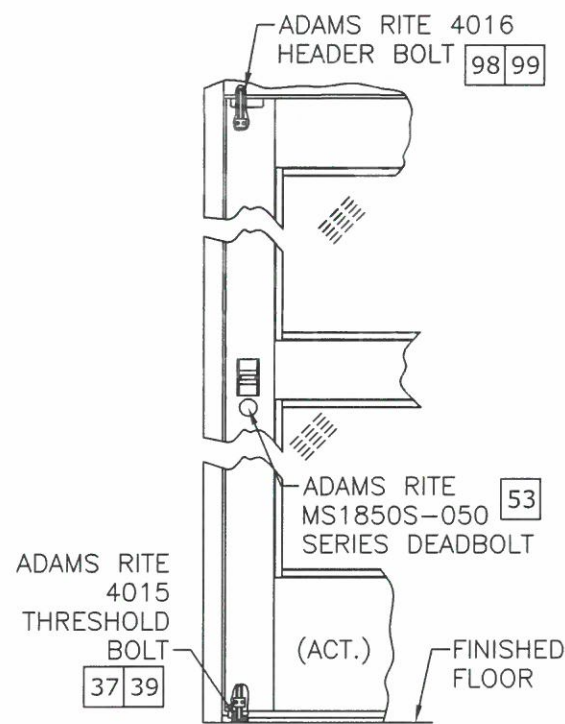
COPYRIGHT ENGINEERING EXPRESS®
23-67902
SCALE: NTS UNLESS NOTED

DURA-STORM SERIES 2000/3000 LOCKING ARRANGEMENTS

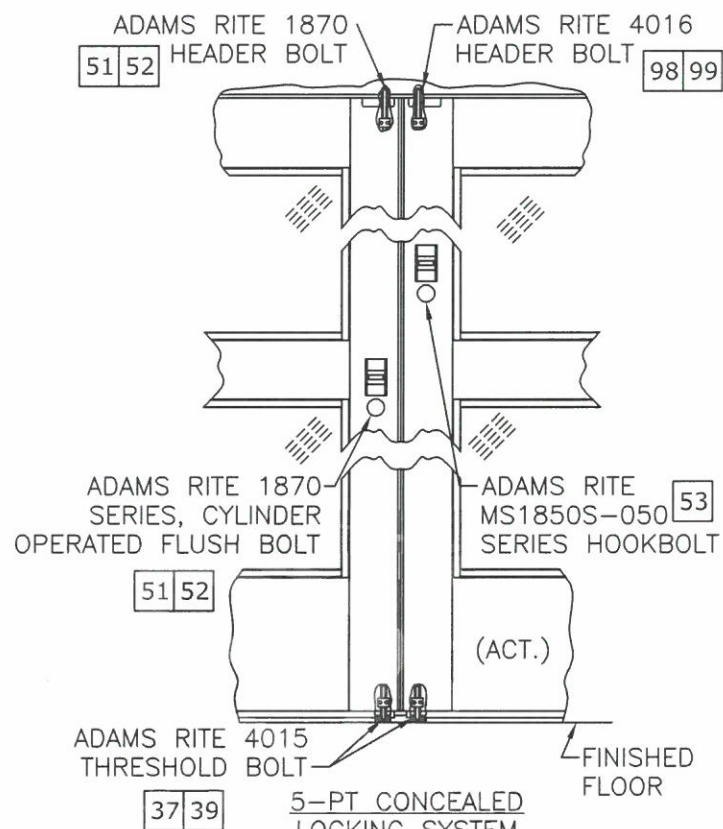
FRANK BENNARDO, PE
PE# 0046549 CA# 9885

JANUARY 9, 2024

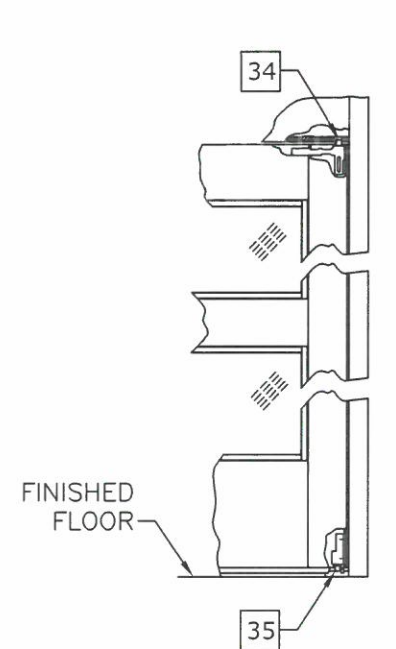
FRANK L. BENNARDO
LICENSE
No. PE0046549
STATE OF
FLORIDA
PROFESSIONAL ENGINEER



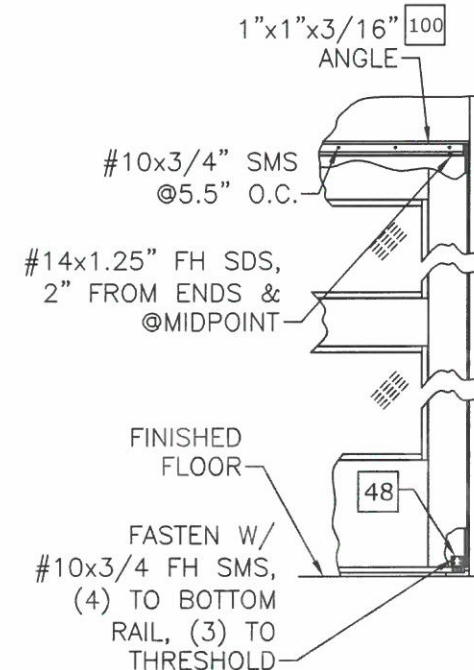
3-PT CONCEALED
LOCKING SYSTEM
SERIES 2000/3000
SINGLE SLIDE



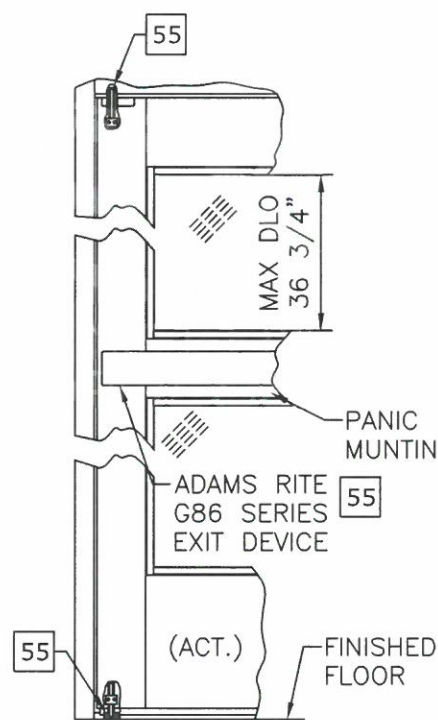
5-PT CONCEALED
LOCKING SYSTEM
SERIES 2000/3000
BI-PARTING



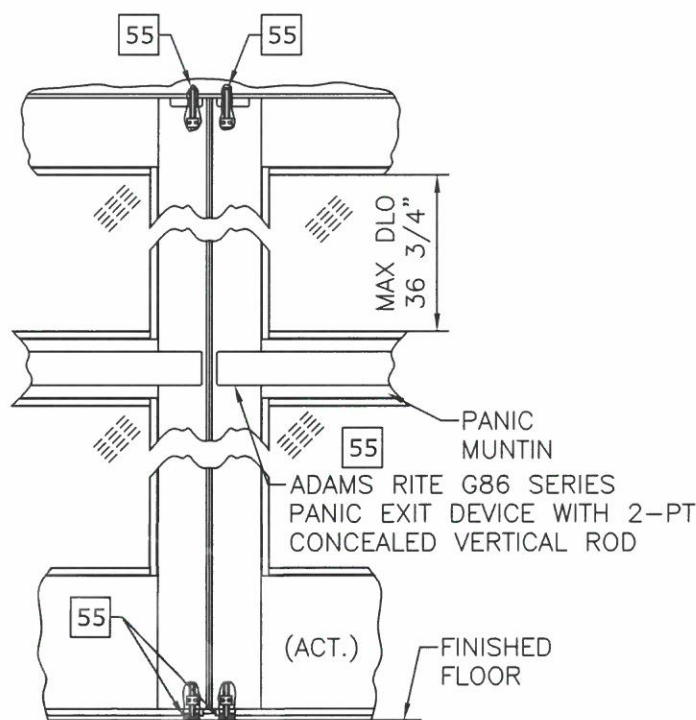
SERIES 3000
SO-PANEL



SERIES 2000
O-PANEL



2-PT CONCEALED
VERTICAL ROD WITH
PANIC RELEASE
LOCKING SYSTEM
SERIES 3000
SINGLE SLIDE



4-PT CONCEALED
VERTICAL ROD WITH
PANIC RELEASE
LOCKING SYSTEM
SERIES 3000
BI-PARTING

PRODUCT RENEWED
as complying with the Florida
Building Code
NOA-No. 23-1127.02
Expiration Date 04-11-2028
By *Ishaq I. Chande*
Miami-Dade Product Control

**ENGINEERING
EXPRESS®**
POSTAL ADDRESS:
2234 NORTH FEDERAL HWY #7664
BOCA RATON, FL 33431
ENGINEERINGEXPRESS.COM

ALLEGION ACCESS
TECHNOLOGIES, LLC
65 SCOTT SWAMP RD.
FARMINGTON, CT 06032
SAT SERIES "DURA-SOTRM 2000/3000" AUTO SGD
BI-PARTING/SINGLE SLIDE (NI)
MIAMI-DADE NOTICE OF ACCEPTANCE

REMARKS	DATE
INIT ISSUE	11/13/23
DRWN	
CHKD	
RS	
SQ	

COPYRIGHT ENGINEERING EXPRESS®

23-67902

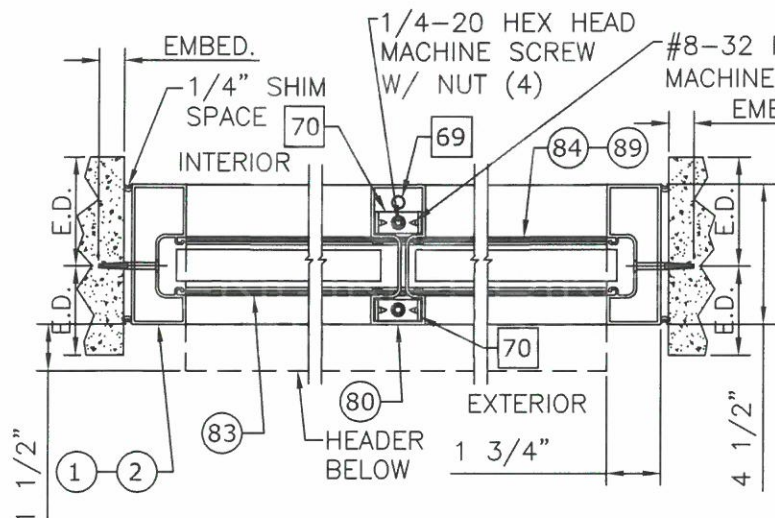
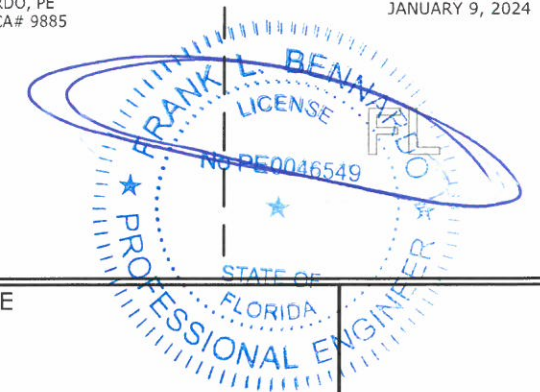
SCALE: NTS UNLESS NOTED

c:\users\sam\engineering\express\production - documents\projects\23-1207\work\drawings & cad\2023 noa update\23-1127.02.dwg

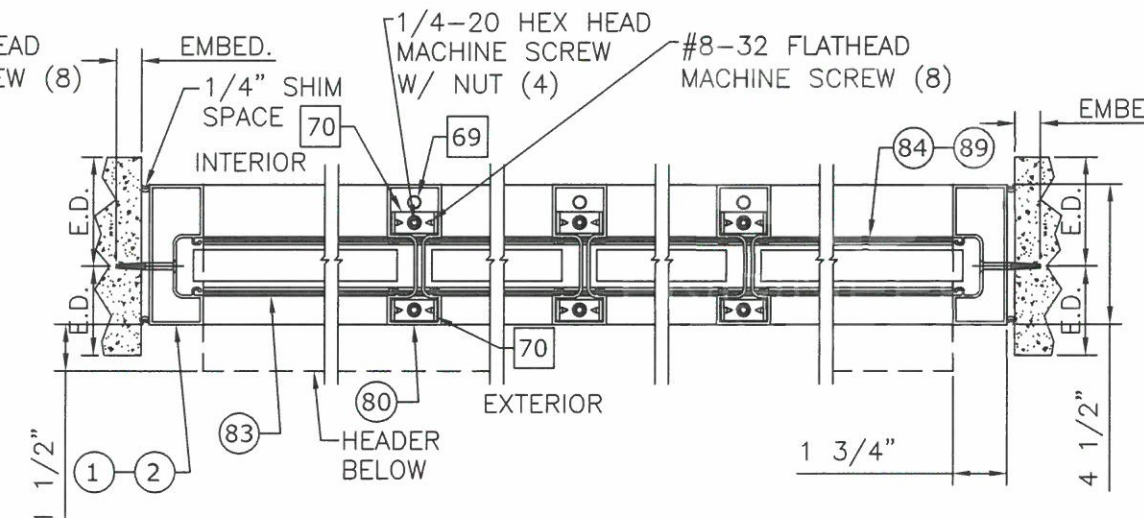
DURA-STORM SERIES 2000/3000 HORIZONTAL SECTION AND ANCHORING, TRANSOMS

FRANK BENNARDO, PE
PE# 0046549 CA# 9885

JANUARY 9, 2024



13 SERIES 2000/3000 TRANSOM
2"=1'-0" SINGLE SLIDE



14 SERIES 2000/3000 TRANSOM
2"=1'-0" BI-PARTING

- ⊗ : EXTRUSION
- ⊗⊗ : EXTRUSION, MULTI-PIECE
- ⊗-⊗ : EXTRUSION, OPTION
- ⊞ : PART
- ⊞⊞ : PART, MULTI-PIECE
- ⊞-⊞ : PART, OPTION
- ⬡ : DETAIL
- ⬡-⬡ : DETAIL, OPTION

SEE HEAD ANCHORS SHEET 7,
AND THRESHOLD ANCHORS
SHEET 12. THRESHOLD
ANCHORS APPLICABLE ONLY
TO 3KSI CONCRETE.

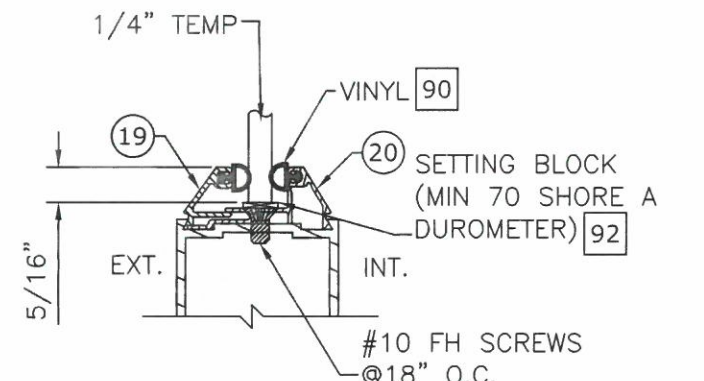
PRODUCT RENEWED
as complying with the Florida
Building Code
NOA-No. 23-1127.02
Expiration Date 04-11-2028
By *Ishag I. Chank*
Miami-Dade Product Control

ENGINEERING EXPRESS
POSTAL ADDRESS:
2234 NORTH FEDERAL HWY #7664
BOCA RATON, FL 33431
ENGINEERINGEXPRESS.COM

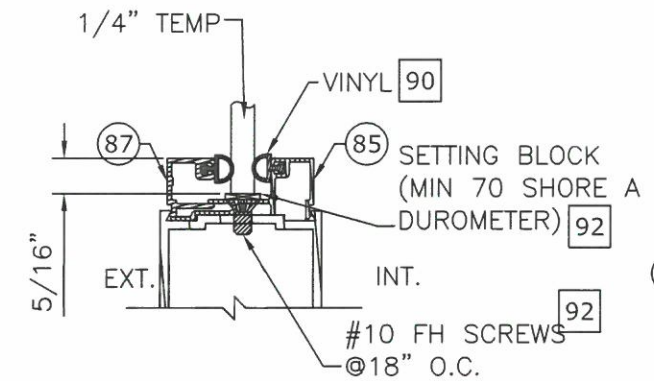
ALLEGION ACCESS
TECHNOLOGIES, LLC
65 SCOTT SWAMP RD.
FARMINGTON, CT 06032
SAT SERIES "DURA-SOTRM 2000/3000" AUTO SGD
BI-PARTING/SINGLE SLIDE (NI)
MIAMI-DADE NOTICE OF ACCEPTANCE



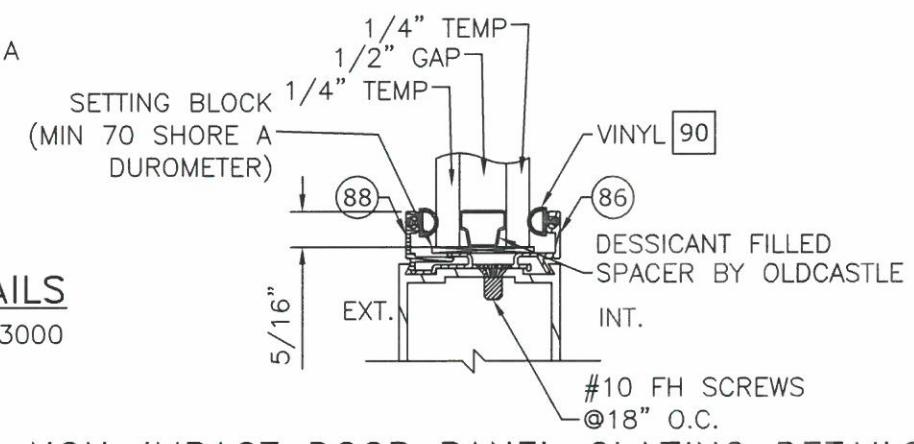
DURA-STORM SERIES 2000/3000 DOOR PANEL GLAZING DETAILS



NON-IMPACT DOOR PANEL GLAZING DETAILS
NTS SERIES 2000/3000



NON-IMPACT DOOR PANEL GLAZING DETAILS
NTS SERIES 2000/3000



NON-IMPACT DOOR PANEL GLAZING DETAILS
NTS SERIES 2000/3000

NOTES
1. SEE SHEET 16 FOR TRANSOM GLAZING DETAILS.

DRWN	CHKD	DATE
RS		11/13/23
SQ		

REMARKS
INIT ISSUE

COPYRIGHT ENGINEERING EXPRESS®
23-67902
SCALE: NTS UNLESS NOTED
18 OF 19

c:\users\sam\engineering\express\production - documents\projects\23-1207\work\drawings & cad\2023 noa update\23-1127.02.dwg

c:\users\sam\engineering\express\production - documents\projects\23-1207\work\drawings & cad\2023 noa update\23-1127.02.dwg

DURA-STORM SERIES 2000/3000 BILL OF MATERIALS

FRANK BENNARDO, PE
PE# 0046549 CA# 9885

JANUARY 9, 2024

REFERENCE	DESCRIPTION
1	Extrusion - Jamb - 4 1/2"
2	Extrusion - Jamb - 6"
3	Extrusion - Jamb - Insert
4	Extrusion - Header - 1 PC
5	Extrusion - Header - 2 PC
6	Extrusion - Header Cover -
7	Extrusion - Top Rail - O, SO
8	Extrusion - Top Rail - O, SO
9	Extrusion - Top Rail - SX
10	Extrusion - Top Rail - SX
11	Extrusion - Stile - Fixed
12	Extrusion - Stile - Lead
13	Extrusion - Stile - Pivot
14	Extrusion - Stile - Pivot
15	Extrusion - Stile - Lead
16	Extrusion - Stile - Lock
17	Extrusion - Muntin Bar/Stacked Bottom Rail Part - 2"
18	Extrusion - Muntin Bar - 4 1/4"
19	Extrusion - Panel Glass Stop - 1/4" - Horizontal
20	Extrusion - Panel Glass Gutter - 1/4" - Horizontal
21	Extrusion - Bottom Rail O - 4"
22	Extrusion - Bottom Rail SO/SX4"
23	Extrusion - Bottom Rail O - 10" - 2 PC
24	Extrusion - Bottom Rail SX/SO - 1 PC - 10"
25	Extrusion - Bottom Rail SX/SO - 2 PC - 10"
26	Extrusion - Hanger -
27	Extrusion - Threshold - Filler
28	Extrusion - Threshold - Dbl bevel - 6"
29	Extrusion - Threshold - Sq/Bvl - 6"
30	Extrusion - Threshold - Recessed - 4.5"
31	Extrusion - Threshold - Core
32	Extrusion - Threshold - Square
33	Extrusion - Threshold - Bevel
34	Component - Top Pivot - SO - 3000
35	Component - Bottom Pivot - SO - 3000
36	Component - Bottom Guide - SX- 2000/3000
37	Component - Throw Bolt - Std - Adams Rite 4015
38	Component - Top pivot - SX
39	Component - Guide - Throw Bolt - Adams Rite 4015
40	Component - Ball Detent - Std
41	Component - Detent Block - Std
42	Component - Security Hook - Std
43	Component - Security Hook - 1" Glass
45	Component - Backing Plate - Security Hook
46	Component - Ball Detent
47	Component - Detent Block
48	Component - Bracket - O Panel
49	Component - Bottom Guide - SX - 2000
50	Component - Load Wheel - Steel/Aluminum/Plastic
51	Component - Lock - Cylinder - Adams Rite 1870 (2-PT Lock) or Adams Rite MS1850S-050 (3-PT Lock)
52	Component - Lock - Thumb Turn - Adams Rite 1870 (2-PT Lock) or Adams Rite MS1850S-050 (3-PT Lock)

NON-CALL OUT PART # 44 IS NOT PART OF BOM

REFERENCE	DESCRIPTION
53	Component - 8 Ply Multipoint Lock - Single Action - Adams Rite MS1850S-050 (Deadbolt), Used w/ Adams Rite 4015 and 4016 Bolts
54	Component - Exit Indicator -
55	Component - 2-Pt Panic Device - Adams Rite G86 with concealed vertical rod (top/bottom) and latch assembly.
56	Component - Pile - Adhesive/non Adhesive backed
57	Component - Brush - Sweep
58	Component - Foam Block -
59	Hardware - Tie Rod - Plate
60	Hardware - Tie Rod - Nut - 5/16-18 - Steel
61	Hardware - Threaded Rod - 5/16-18 - Steel
62	Hardware - 5/16 - 18 - Nut - Steel
63	Hardware - Tie Rod / Rail - Plate - Steel
64	Hardware - 7/16-20 Jamb Nut - Steel
65	Hardware - 7/16 SO Pivot Pin - Steel
66	Hardware - 5/8-11 Nut - Steel
67	Hardware - Tie Rod - Nut Plate
68	Hardware - Tie Rod - Top Clip
69	Hardware - Tie Rod - 3/8-16
70	Hardware - Transom Clip - Steel
71	Hardware - Stiffener - Steel - A500
72	Hardware - Transom Clip - Aluminum
73	Tube - Transom Stiffener - Single Slide - Steel (w/ Optional Transom)
74	Component - Steel Plate - Panic Reinforcing (48" Min.)
75	Component - Key Operator - Adams Rite
76	Component - Lock Flange (Int) - "Wind Clip"
77	Component - Lock Flange (Ext) - "Wind Clip"
78	Component - Header End Plate
79	Component - Muntin Clip (with Panic)
80	Extrusion - Transom - Vertical Muntin
81	Extrusion - Transom - Frame Stop - 1/4"
82	Extrusion - Transom - Vertical Muntin Stop - 1/4"
83	Extrusion - Transom - Header Stop
84	Extrusion - Transom - Header Gutter - 1/4"
85	Extrusion - Panel Glass Gutter - 1/4" - Vertical
86	Extrusion - Panel Glass Gutter - 1"
87	Extrusion - Panel Glass Stop - 1/4" - Vertical
88	Extrusion - Panel Glass Stop - 1"
89	Extrusion - Transom - Header Gutter - 1"
90	Glazing - Vinyl Bulb - 0.200"
91	Glazing - Vinyl Bulb - 0.262"
92	Glazing - Setting Block -
93	Glazing - Gasket - Transom
94	Extrusion - Key Strip
95	Extrusion - Threshold - Sq/Bvl - 4.5"
96	Extrusion - Bottom Rail O - 10"
97	Component - Ball Detent - SO
98	Component - Throw Bolt - Std - Adams Rite 4016
99	Component - Guide - Throw Bolt - Adams Rite 4016
100	Extrusion - 1"x1"x3/16" Angle
101	Nested Tube - Transom Stiffener - Bi-Parting - Steel (w/ Optional Transom)

PRODUCT RENEWED
as complying with the Florida Building Code
NOA-No. 23-1127.02
Expiration Date 04-11-2028
By Ishaq I. Chank
Miami-Dade Product Control

ENGINEERING EXPRESS

POSTAL ADDRESS:
2234 NORTH FEDERAL HWY #7664
BOCA RATON, FL 33431
ENGINEERINGEXPRESS.COM

ALLEGION ACCESS TECHNOLOGIES, LLC
65 SCOTT SWAMP RD.
FARMINGTON, CT 06032

ALLEGION

SAT SERIES "DURA-SOTRM 2000/3000" AUTO SGD
BI-PARTING/SINGLE SLIDE (NI)
MIAMI-DADE NOTICE OF ACCEPTANCE

REMARKS	DATE
INT ISSUE	11/13/23
DRWN	
CHKD	
RS	
SQ	

COPYRIGHT ENGINEERING EXPRESS®

23-67902

SCALE: NTS UNLESS NOTED

19 OF 19