

## **PROCARE™ 8500 MANUAL 3-PANEL TELESCOPING ICU DOOR**

### **3.26 - 3-PANEL TELESCOPIC, TRACKLESS**

- **3.26.01 - SS, RH, TRACKLESS, MANUAL**
- **3.26.02 - SS, LH, TRACKLESS, MANUAL**
- **3.26.03 - SS, RH, TRACKLESS, SMOKE&DRAFT, MANUAL**
- **3.26.04 - SS, LH, TRACKLESS, SMOKE&DRAFT, MANUAL**
- **3.26.05 - SS, RH, TRACKLESS, SMOKE&DRAFT, ISOLATION, MANUAL**
- **3.26.06 - SS, LH, TRACKLESS, SMOKE&DRAFT, ISOLATION, MANUAL**

**STANLEY**  
Access Technologies

# PROCARE™ 8500 SERIES

### 3-PANEL TELESCOPIC TRACKLESS

#### PROJECT INFORMATION

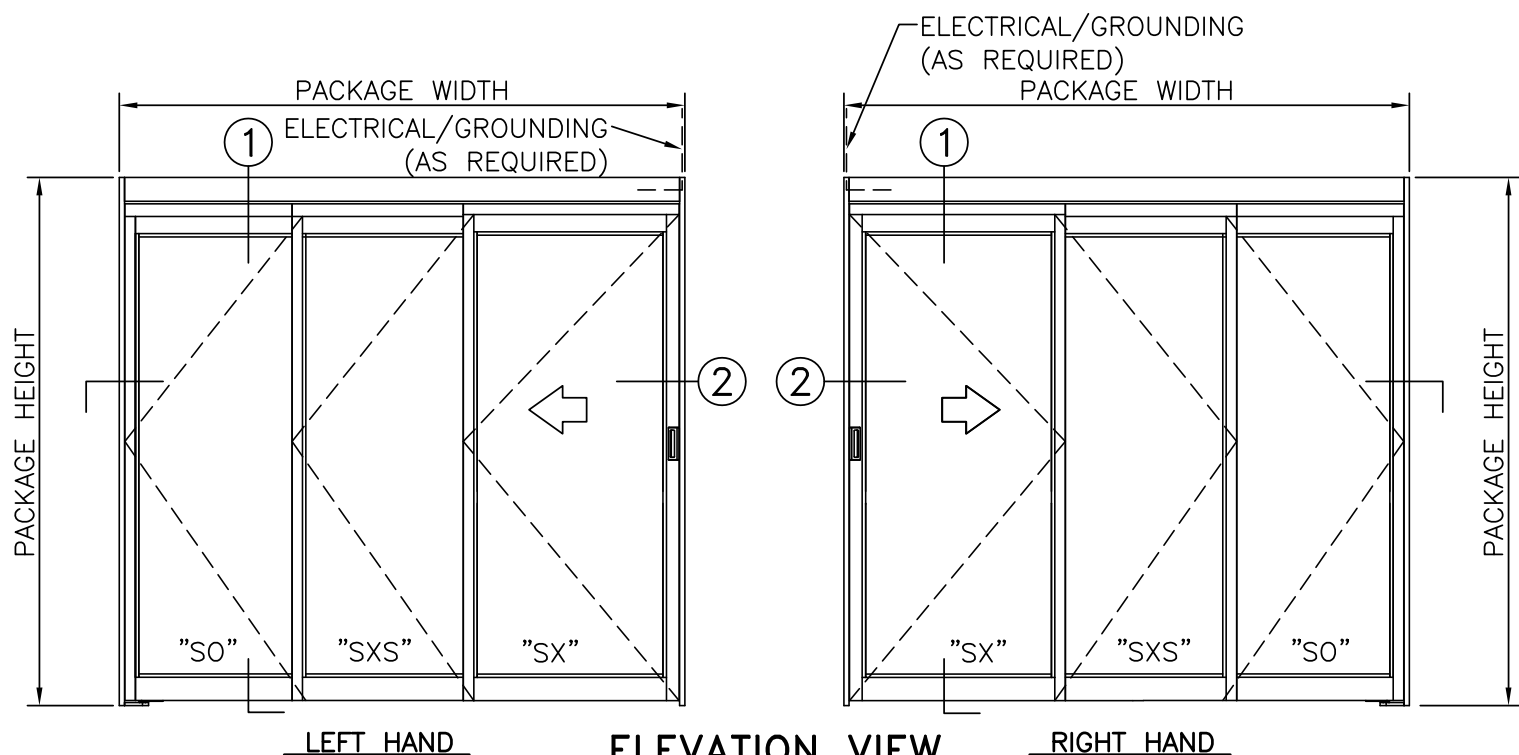
PROJECT NAME:

LOCATION:

DOOR NUMBER(S):

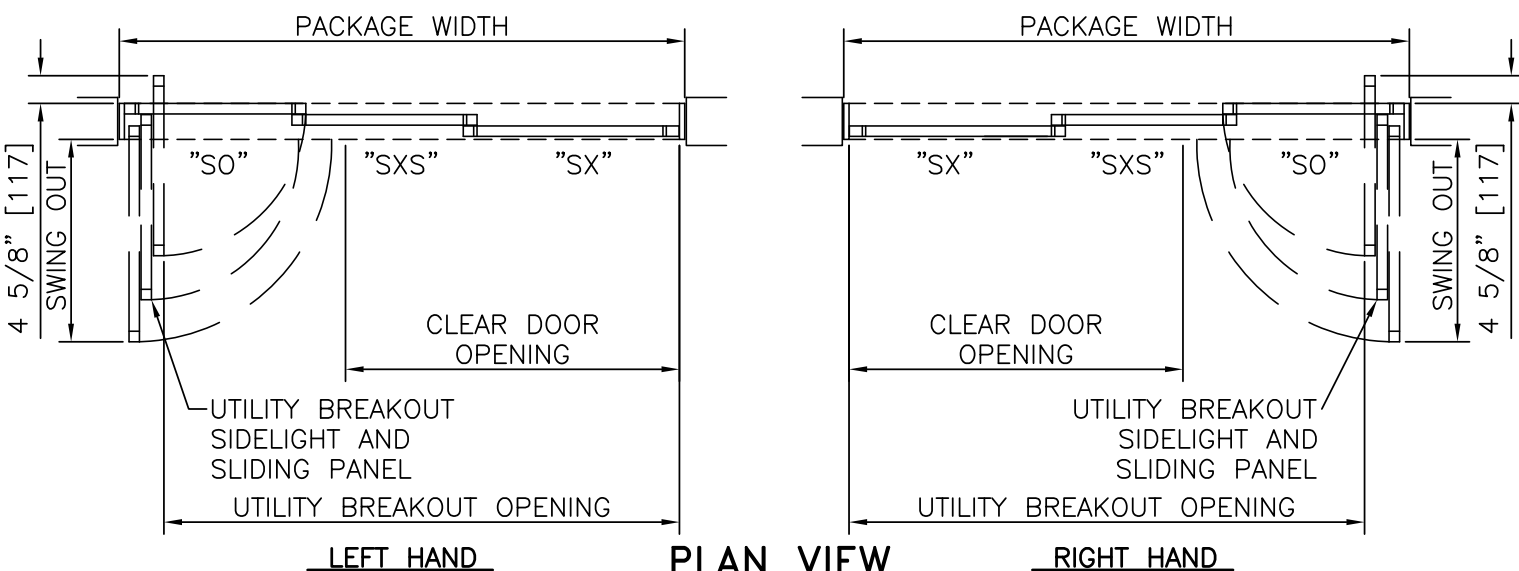
DATE:

SHEET: OF



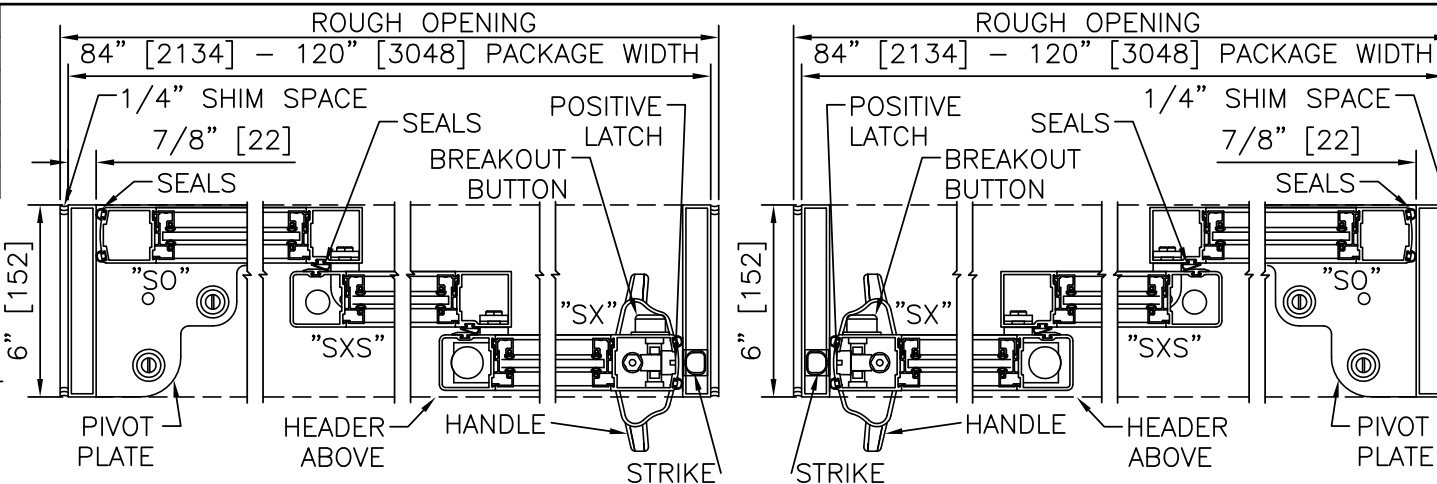
**ELEVATION VIEW**

SCALE: 3/8" = 1'-0"



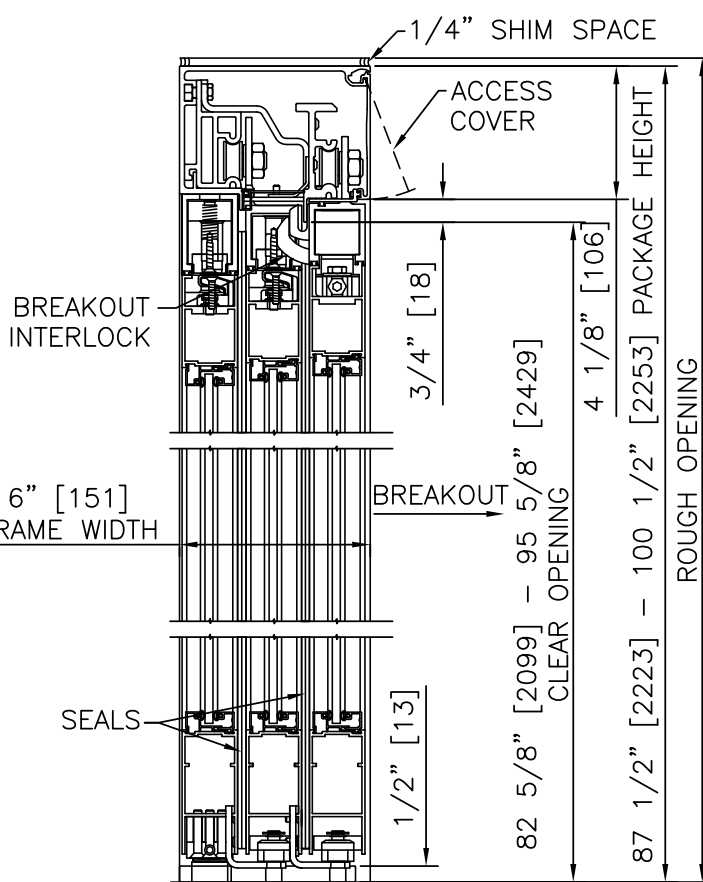
**PLAN VIEW**

SCALE: 3/8" = 1'-0"



**HORIZONTAL SECTION**

SCALE: 2" = 1'-0"



**VERTICAL SECTION**

SCALE: 2" = 1'-0"

- PRODUCT OPTIONS**
- FINISH
    - ANODIZED CLEAR CL2
    - CUSTOM
  - LATCHING/LOCKING
    - POSITIVE LATCH
    - 1-POINT
    - LOCK INDICATOR
  - BOTTOM RAILS
    - STANDARD 4"
    - OPTIONAL 6" 8" 10" 12"
  - MUNTINS
    - STANDARD 2"  4 1/4"
    - QUANTITY 0 1 2
  - JAMBS
    - 7/8" X 6" RECTANGULAR JAMB
    - 1 3/4" X 6" POCKET JAMB
  - OTHER OPTIONS
    - TEMPERED GLASS
    - PRIVACY GLASS BLINDS
    - ELECTRIC PRIVACY GLASS
  - OTHER OPTIONS
    - SMOKE & DRAFT CONTROL PACKAGE
    - ISOLATION PACKAGE (+/- PRESSURE)
    - SELF-CLOSING (INTERNAL) W/ HOLD OPEN
    - ANTI-MICROBIAL COATING
    - TOUCH POINTS
    - PANELS, FRAME, HEADER
    - STC PACKAGE

**3-PANEL FORMULAS (84" TO 94" PACKAGE WIDTH W/ 7/8" JAMBS)**  
 PACKAGE WIDTH = CLEAR DOOR OPENING / 0.639 + 8.25"[210]  
 CLEAR DOOR OPENING = 0.639 \* PACKAGE WIDTH - 5.27"[134]  
 UTILITY BREAKOUT WIDTH = PACKAGE WIDTH - 8.24"[209]  
 SX DOOR PANEL WIDTH = 0.361 \* PACKAGE WIDTH + 2.65"[67]  
 SXS DOOR PANEL WIDTH = 0.361 \* PACKAGE WIDTH - 2.73"[69]  
 SO DOOR PANEL WIDTH = 0.278 \* PACKAGE WIDTH + 2.58"[66]  
 SWING OUT WIDTH = SX PANEL WIDTH - 1.95"[50]

**3-PANEL FORMULAS (>94" PACKAGE WIDTH W/ 7/8" JAMBS)**  
 PACKAGE WIDTH = CLEAR DOOR OPENING / 0.647 + 8.25"[210]  
 CLEAR DOOR OPENING = 0.647 \* PACKAGE WIDTH - 5.34"[136]  
 UTILITY BREAKOUT WIDTH = PACKAGE WIDTH - 8.24"[209]  
 SX DOOR PANEL WIDTH = 0.353 \* PACKAGE WIDTH + 2.71"[69]  
 SXS DOOR PANEL WIDTH = 0.353 \* PACKAGE WIDTH - 2.66"[68]  
 SO DOOR PANEL WIDTH = 0.294 \* PACKAGE WIDTH + 2.45"[62]  
 SWING OUT WIDTH = SX PANEL WIDTH - 1.95"[50]

TYPICAL PACKAGE DIMENSIONS (7/8" JAMBS)						
PACKAGE WIDTH	NOMINAL CLEAR DOOR OPENING	SLIDING DOOR NOMINAL WIDTH	SLIDING DOOR NOMINAL WIDTH	SIDELIGHT NOMINAL WIDTH	UTILITY BREAKOUT NOMINAL WIDTH	SWING OUT NOMINAL WIDTH
84" [2134]	48.4" [1229]	33.0 [838]	27.6" [701]	25.9" [658]	75.8" [1924]	31.0" [788]
96" [2438]	56.8" [1442]	36.6 [929]	31.2" [793]	30.7" [779]	87.8" [2229]	34.6" [880]
108" [2743]	64.5" [1640]	40.8 [1027]	35.5" [900]	34.2" [869]	99.8" [2534]	38.9" [988]
120" [3048]	72.3" [1837]	45.1 [1145]	39.7" [1008]	37.7" [959]	111.8" [2839]	43.1" [1095]

- NOTES**
- CONNECTION TO BUILDING GROUND BY ELECTRICAL CONTRACTOR.
  - ROUGH OPENING SHALL PROVIDE 1/4"[6] SHIM SPACE ON SIDES AND TOP OF PACKAGE.
  - STANDARD PACKAGE EXCLUDES LATCHING OR LOCKING. POSITIVE LATCHING AND LOCKING SYSTEMS AVAILABLE; POSITIVE LATCHING INCLUDED ON LEAKAGE RATED ASSEMBLIES; SMOKE & DRAFT, AND ISOLATION PACKAGES.
  - STANDARD GLAZING STOPS FOR ALL PANELS ARE 1/4"[6]; 1/2"[13], 5/8"[16], AND 1"[25] AVAILABLE.
  - STANDARD STILES, BOTTOM RAILS AND MUNTINS SHOWN; BOTTOM RAILS TO 4 1/4"[108] AVAILABLE.
  - SLIDING PANELS MUST BE DRIVEN TO FULL OPEN POSITION AND ENGAGE FLOOR MOUNTED HINGE PINS PRIOR TO PANEL BREAKOUT.
  - SEE SPECIFICATIONS FOR ADDITIONAL INFORMATION.

**PROCARE™  
8500  
SERIES**

**STANLEY**  
Access Technologies

**PROCARE™  
8500  
SERIES**

SINGLE SLIDE RIGHT HAND TRACKLESS, MANUAL

PROJECT INFORMATION

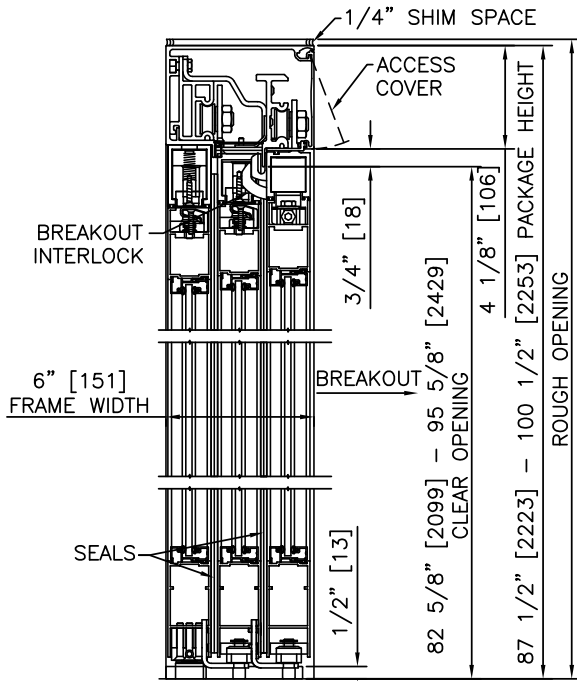
PROJECT NAME:

LOCATION:

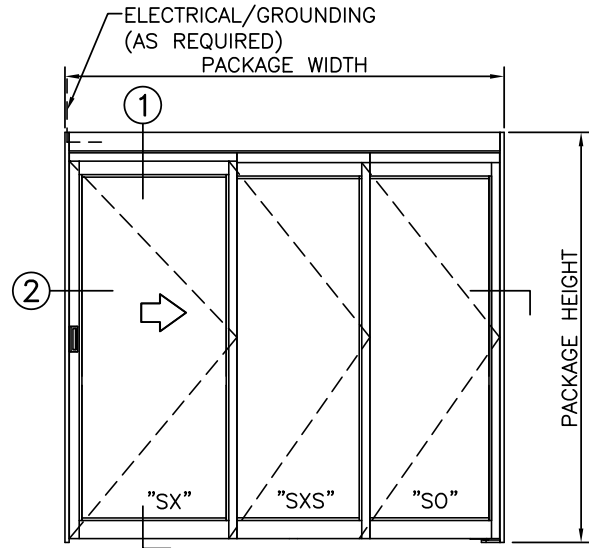
DOOR NUMBER(S):

DATE:

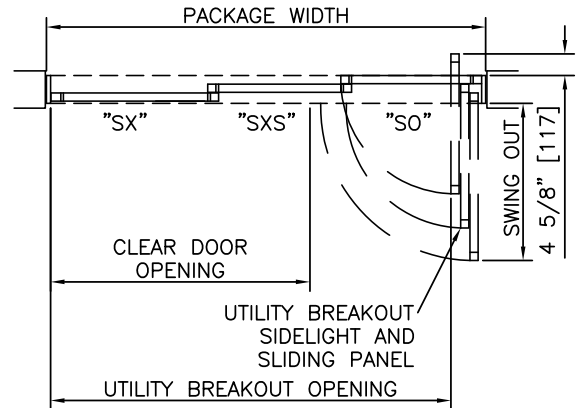
SHEET: OF



① VERTICAL SECTION



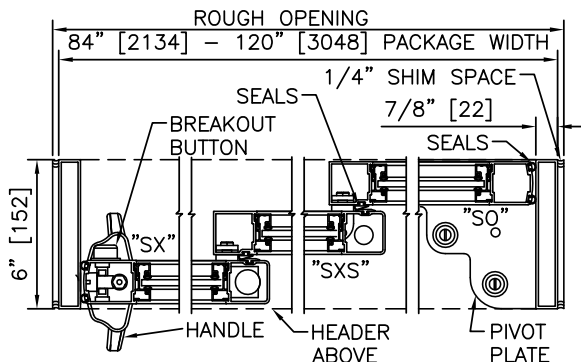
ELEVATION



PLAN

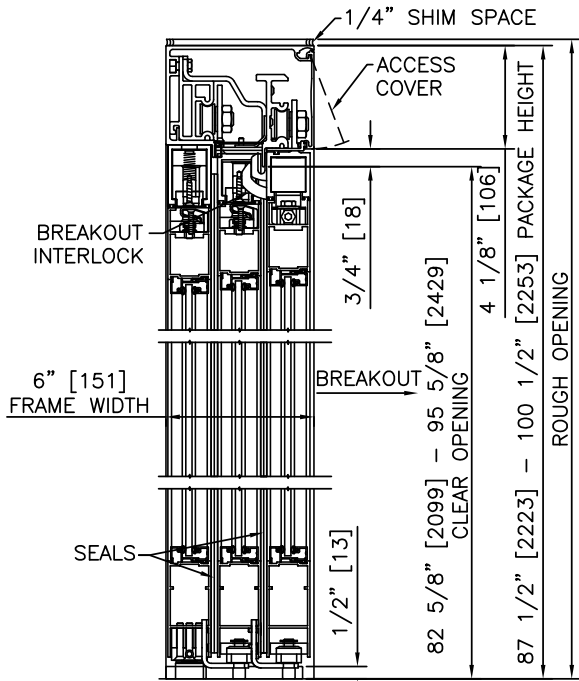
**NOTES**

1. CONNECTION TO BUILDING GROUND BY ELECTRICAL CONTRACTOR.
2. ROUGH OPENING SHALL PROVIDE 1/4"[6] SHIM SPACE ON SIDES AND TOP OF PACKAGE.
3. STANDARD PACKAGE EXCLUDES LATCHING OR LOCKING. POSITIVE LATCHING AND LOCKING SYSTEMS AVAILABLE; POSITIVE LATCHING INCLUDED ON LEAKAGE RATED ASSEMBLIES.
4. SLIDING PANELS MUST BE DRIVEN TO FULL OPEN POSITION AND ENGAGE FLOOR MOUNTED HINGE PINS PRIOR TO PANEL BREAKOUT.
5. SEE SPECIFICATIONS FOR ADDITIONAL INFORMATION.

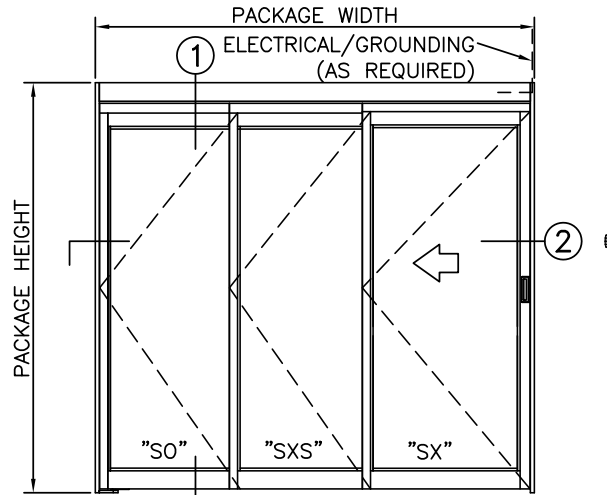


② HORIZONTAL SECTION

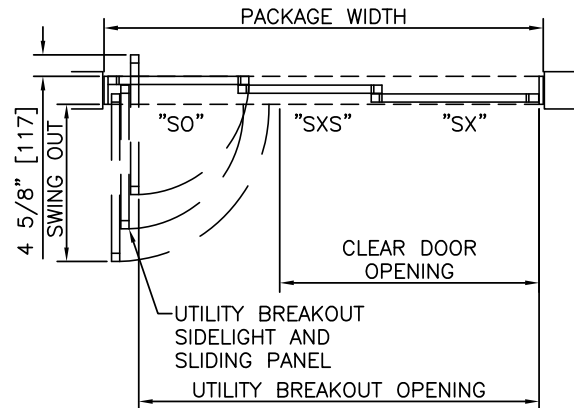
TYPICAL PACKAGE DIMENSIONS (7/8" JAMBS)						
PACKAGE WIDTH	NOMINAL CLEAR DOOR OPENING	SLIDING DOOR NOMINAL WIDTH	SLIDING DOOR NOMINAL WIDTH	SIDELIGHT NOMINAL WIDTH	UTILITY BREAKOUT NOMINAL WIDTH	SWING OUT NOMINAL WIDTH
84" [2134]	48.4" [1229]	33.0 [838]	27.6" [701]	25.9" [658]	75.8" [1924]	31.0" [788]
96" [2438]	56.8" [1442]	36.6 [929]	31.2" [793]	30.7" [779]	87.8" [2229]	34.6" [880]
108" [2743]	64.5" [1640]	40.8 [1027]	35.5" [900]	34.2" [869]	99.8" [2534]	38.9" [988]
120" [3048]	72.3" [1837]	45.1 [1145]	39.7" [1008]	37.7" [959]	111.8" [2839]	43.1" [1095]



① VERTICAL SECTION



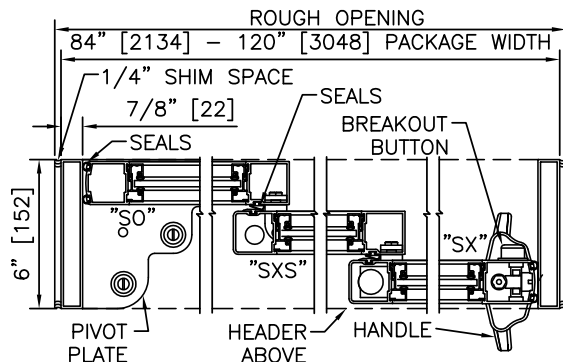
ELEVATION



PLAN

**NOTES**

1. CONNECTION TO BUILDING GROUND BY ELECTRICAL CONTRACTOR.
2. ROUGH OPENING SHALL PROVIDE 1/4"[6] SHIM SPACE ON SIDES AND TOP OF PACKAGE.
3. STANDARD PACKAGE EXCLUDES LATCHING OR LOCKING. POSITIVE LATCHING AND LOCKING SYSTEMS AVAILABLE; POSITIVE LATCHING INCLUDED ON LEAKAGE RATED ASSEMBLIES.
4. SLIDING PANELS MUST BE DRIVEN TO FULL OPEN POSITION AND ENGAGE FLOOR MOUNTED HINGE PINS PRIOR TO PANEL BREAKOUT.
5. SEE SPECIFICATIONS FOR ADDITIONAL INFORMATION.



② HORIZONTAL SECTION

TYPICAL PACKAGE DIMENSIONS (7/8" JAMBS)

PACKAGE WIDTH	NOMINAL CLEAR DOOR OPENING	SLIDING DOOR NOMINAL WIDTH	SLIDING DOOR NOMINAL WIDTH	SIDELIGHT NOMINAL WIDTH	UTILITY BREAKOUT NOMINAL WIDTH	SWING OUT NOMINAL WIDTH
84" [2134]	48.4" [1229]	33.0 [838]	27.6" [701]	25.9" [658]	75.8" [1924]	31.0" [788]
96" [2438]	56.8" [1442]	36.6 [929]	31.2" [793]	30.7" [779]	87.8" [2229]	34.6" [880]
108" [2743]	64.5" [1640]	40.8 [1027]	35.5" [900]	34.2" [869]	99.8" [2534]	38.9" [988]
120" [3048]	72.3" [1837]	45.1 [1145]	39.7" [1008]	37.7" [959]	111.8" [2839]	43.1" [1095]

**PROCARE™**  
**8500**  
**SERIES**

SINGLE SLIDE RIGHT HAND TRACKLESS, SMOKE & DRAFT, MANUAL

PROJECT INFORMATION

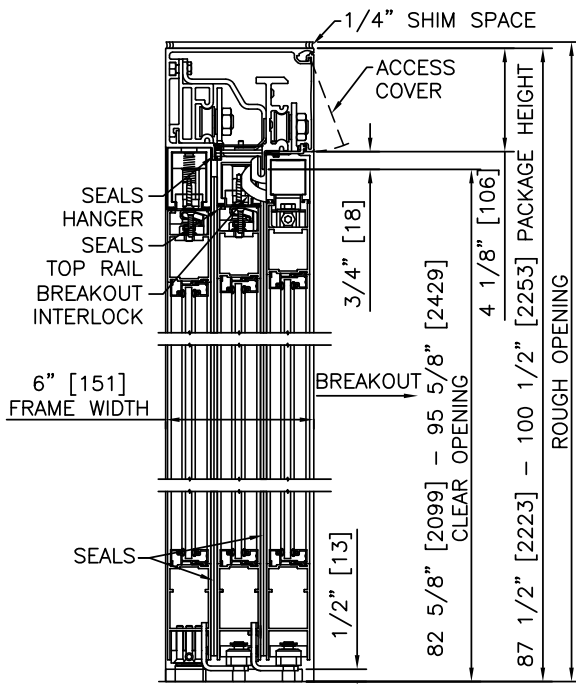
PROJECT NAME:

LOCATION:

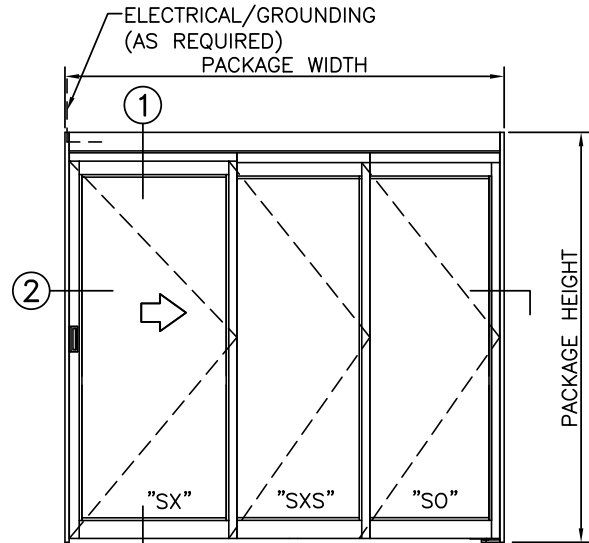
DOOR NUMBER(S):

DATE:

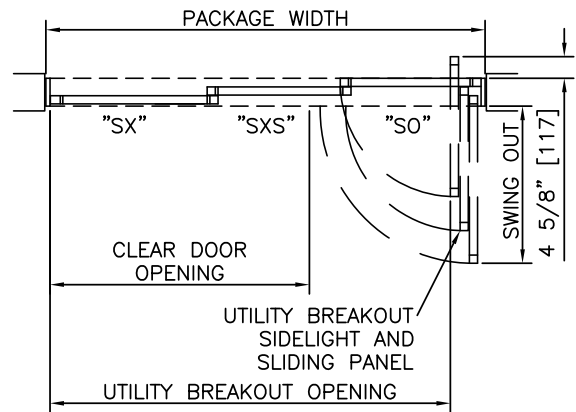
SHEET: OF



① VERTICAL SECTION



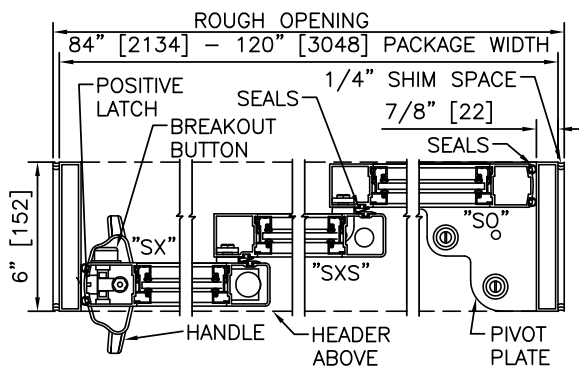
ELEVATION



PLAN

NOTES

1. CONNECTION TO BUILDING GROUND BY ELECTRICAL CONTRACTOR.
2. ROUGH OPENING SHALL PROVIDE 1/4"[6] SHIM SPACE ON SIDES AND TOP OF PACKAGE.
3. STANDARD PACKAGE INCLUDES POSITIVE LATCHING. LOCKING SYSTEMS AVAILABLE.
4. SLIDING PANELS MUST BE DRIVEN TO FULL OPEN POSITION AND ENGAGE FLOOR MOUNTED HINGE PINS PRIOR TO PANEL BREAKOUT.
5. PRODUCT IS CERTIFIED AS AN EFFECTIVE BARRIER AGAINST THE PASSAGE OF SMOKE IN ACCORDANCE WITH UL1784 AND NFPA 105.
6. SEE SPECIFICATIONS FOR ADDITIONAL INFORMATION.



② HORIZONTAL SECTION

TYPICAL PACKAGE DIMENSIONS (7/8" JAMBS)						
PACKAGE WIDTH	NOMINAL CLEAR DOOR OPENING	SLIDING DOOR NOMINAL WIDTH	SLIDING DOOR NOMINAL WIDTH	SIDELIGHT NOMINAL WIDTH	UTILITY BREAKOUT NOMINAL WIDTH	SWING OUT NOMINAL WIDTH
84" [2134]	48.4" [1229]	33.0 [838]	27.6" [701]	25.9" [658]	75.8" [1924]	31.0" [788]
96" [2438]	56.8" [1442]	36.6 [929]	31.2" [793]	30.7" [779]	87.8" [2229]	34.6" [880]
108" [2743]	64.5" [1640]	40.8 [1027]	35.5" [900]	34.2" [869]	99.8" [2534]	38.9" [988]
120" [3048]	72.3" [1837]	45.1 [1145]	39.7" [1008]	37.7" [959]	111.8" [2839]	43.1" [1095]

**PROCARE™**  
**8500**  
**SERIES**

SINGLE SLIDE LEFT HAND TRACKLESS, SMOKE & DRAFT, MANUAL

PROJECT INFORMATION

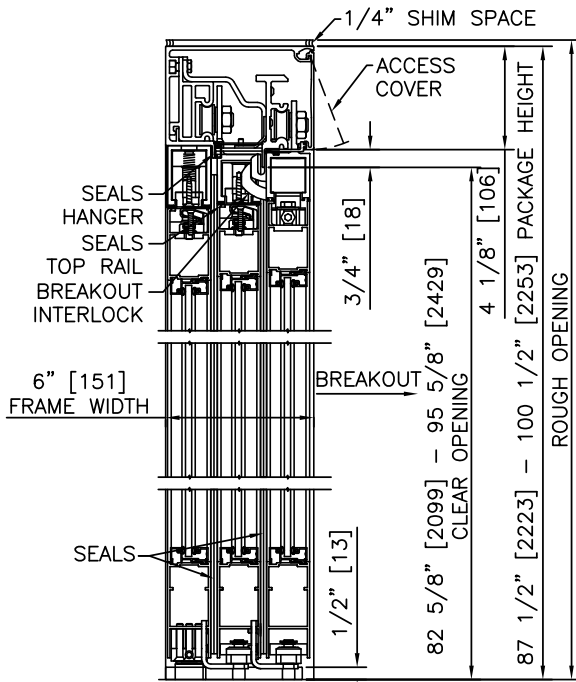
PROJECT NAME:

LOCATION:

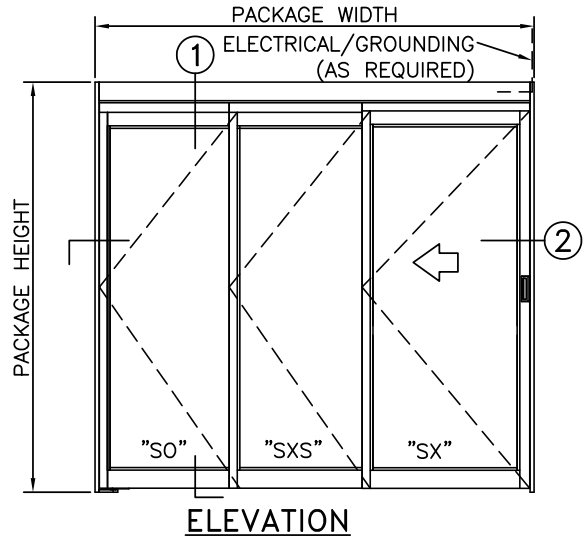
DOOR NUMBER(S):

DATE:

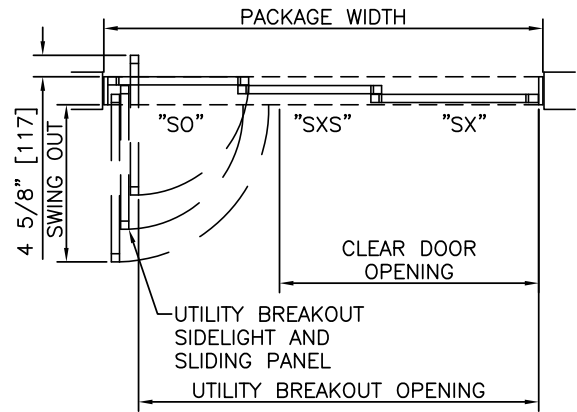
SHEET: OF



1 VERTICAL SECTION



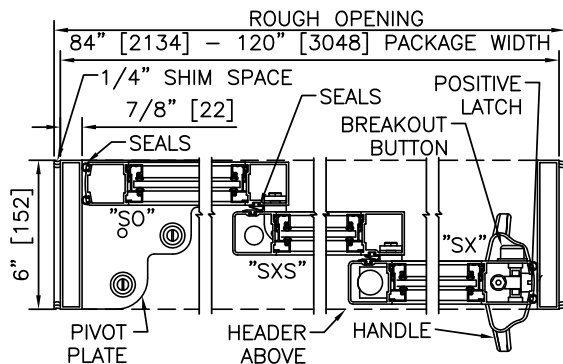
ELEVATION



PLAN

NOTES

1. CONNECTION TO BUILDING GROUND BY ELECTRICAL CONTRACTOR.
2. ROUGH OPENING SHALL PROVIDE 1/4"[6] SHIM SPACE ON SIDES AND TOP OF PACKAGE.
3. STANDARD PACKAGE INCLUDES POSITIVE LATCHING. LOCKING SYSTEMS AVAILABLE.
4. SLIDING PANELS MUST BE DRIVEN TO FULL OPEN POSITION AND ENGAGE FLOOR MOUNTED HINGE PINS PRIOR TO PANEL BREAKOUT.
5. PRODUCT IS CERTIFIED AS AN EFFECTIVE BARRIER AGAINST THE PASSAGE OF SMOKE IN ACCORDANCE WITH UL1784 AND NFPA 105.
6. SEE SPECIFICATIONS FOR ADDITIONAL INFORMATION.



2 HORIZONTAL SECTION

TYPICAL PACKAGE DIMENSIONS (7/8" JAMBS)						
PACKAGE WIDTH	NOMINAL CLEAR DOOR OPENING	SLIDING DOOR NOMINAL WIDTH	SLIDING DOOR NOMINAL WIDTH	SIDELIGHT NOMINAL WIDTH	UTILITY BREAKOUT NOMINAL WIDTH	SWING OUT NOMINAL WIDTH
84" [2134]	48.4" [1229]	33.0 [838]	27.6" [701]	25.9" [658]	75.8" [1924]	31.0" [788]
96" [2438]	56.8" [1442]	36.6 [929]	31.2" [793]	30.7" [779]	87.8" [2229]	34.6" [880]
108" [2743]	64.5" [1640]	40.8 [1027]	35.5" [900]	34.2" [869]	99.8" [2534]	38.9" [988]
120" [3048]	72.3" [1837]	45.1 [1145]	39.7" [1008]	37.7" [959]	111.8" [2839]	43.1" [1095]



**PROCARE™  
8500 SERIES  
ISOLATION**

SINGLE SLIDE RIGHT HAND TRACKLESS, SMOKE & DRAFT, ISOLATION, MANUAL

PROJECT INFORMATION

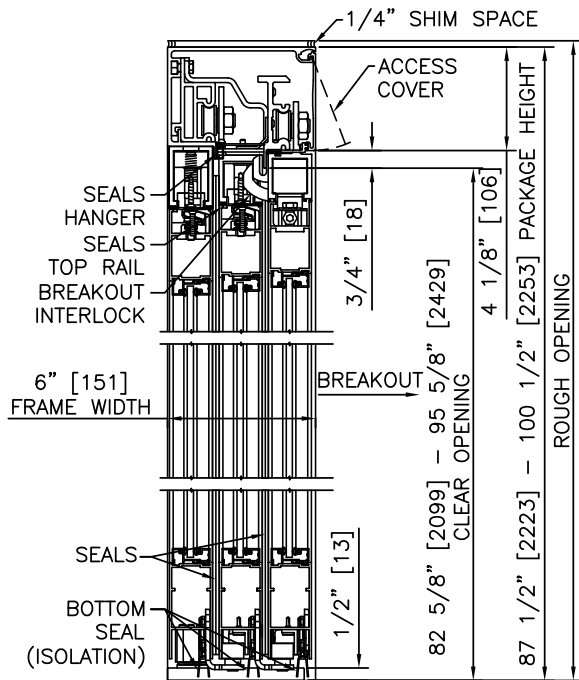
PROJECT NAME:

LOCATION:

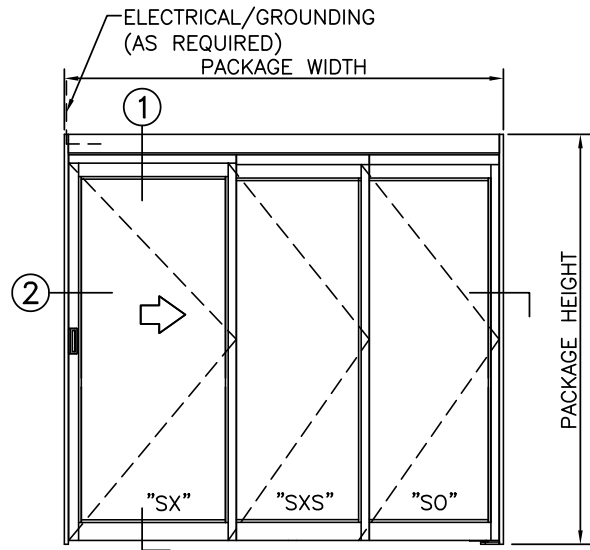
DOOR NUMBER(S):

DATE:

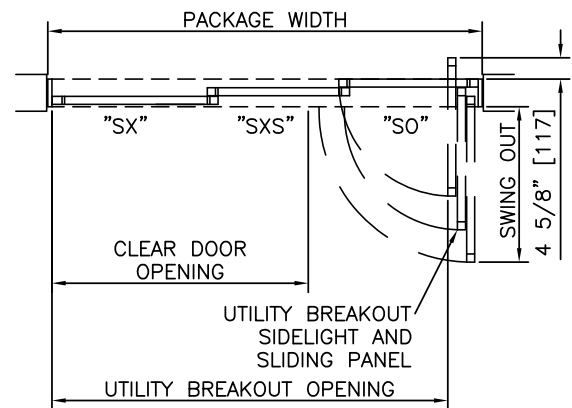
SHEET: OF



① VERTICAL SECTION



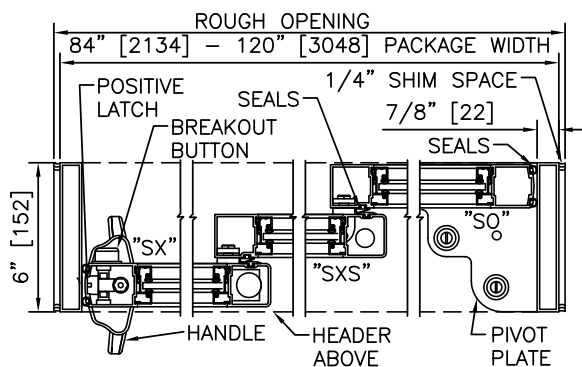
ELEVATION



PLAN

NOTES

1. CONNECTION TO BUILDING GROUND BY ELECTRICAL CONTRACTOR.
2. ROUGH OPENING SHALL PROVIDE 1/4"[6] SHIM SPACE ON SIDES AND TOP OF PACKAGE.
3. STANDARD PACKAGE INCLUDES POSITIVE LATCHING. LOCKING SYSTEMS AVAILABLE.
4. SLIDING PANELS MUST BE DRIVEN TO FULL OPEN POSITION AND ENGAGE FLOOR MOUNTED HINGE PINS PRIOR TO PANEL BREAKOUT.
5. PRODUCT IS CERTIFIED AS AN EFFECTIVE BARRIER AGAINST THE PASSAGE OF SMOKE IN ACCORDANCE WITH UL1784 AND NFPA 105.
6. PRODUCT IS LEAKAGE RATED, DESIGNED AND TESTED FOR USE IN ALL ROOMS
7. SEE SPECIFICATIONS FOR ADDITIONAL INFORMATION.



② HORIZONTAL SECTION

TYPICAL PACKAGE DIMENSIONS (7/8" JAMBS)						
PACKAGE WIDTH	NOMINAL CLEAR DOOR OPENING	SLIDING DOOR NOMINAL WIDTH	SLIDING DOOR NOMINAL WIDTH	SIDELIGHT NOMINAL WIDTH	UTILITY BREAKOUT NOMINAL WIDTH	SWING OUT NOMINAL WIDTH
84" [2134]	48.4" [1229]	33.0 [838]	27.6" [701]	25.9" [658]	75.8" [1924]	31.0" [788]
96" [2438]	56.8" [1442]	36.6 [929]	31.2" [793]	30.7" [779]	87.8" [2229]	34.6" [880]
108" [2743]	64.5" [1640]	40.8 [1027]	35.5" [900]	34.2" [869]	99.8" [2534]	38.9" [988]
120" [3048]	72.3" [1837]	45.1 [1145]	39.7" [1008]	37.7" [959]	111.8" [2839]	43.1" [1095]

**PROCARE™  
8500 SERIES  
ISOLATION**

SINGLE SLIDE LEFT HAND TRACKLESS, SMOKE & DRAFT, ISOLATION, MANUAL

PROJECT INFORMATION

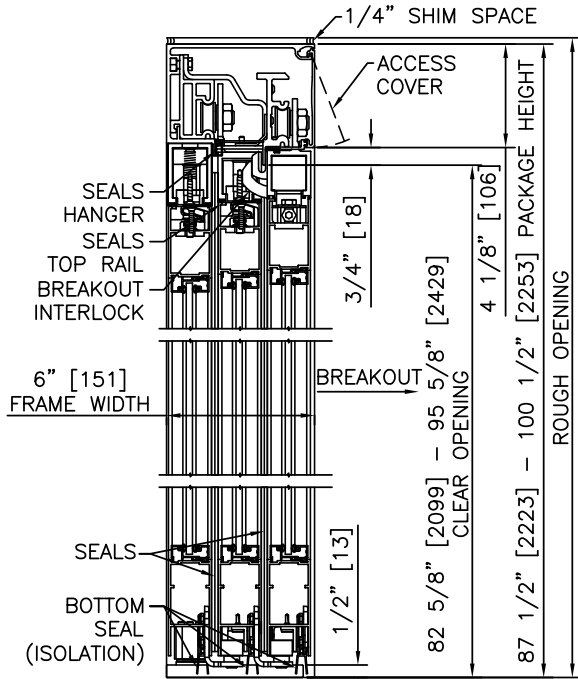
PROJECT NAME:

LOCATION:

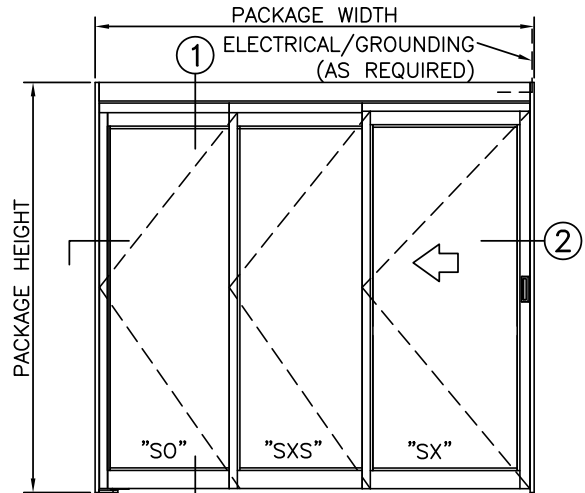
DOOR NUMBER(S):

DATE:

SHEET: OF



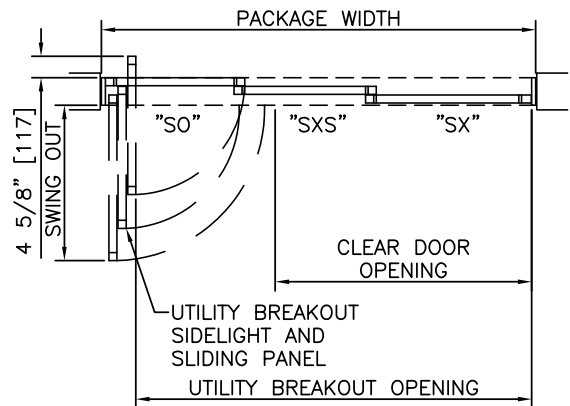
1 VERTICAL SECTION



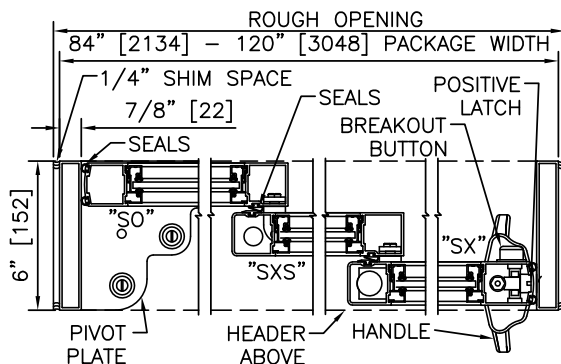
ELEVATION

NOTES

1. CONNECTION TO BUILDING GROUND BY ELECTRICAL CONTRACTOR.
2. ROUGH OPENING SHALL PROVIDE 1/4" [6] SHIM SPACE ON SIDES AND TOP OF PACKAGE.
3. STANDARD PACKAGE INCLUDES POSITIVE LATCHING. LOCKING SYSTEMS AVAILABLE.
4. SLIDING PANELS MUST BE DRIVEN TO FULL OPEN POSITION AND ENGAGE FLOOR MOUNTED HINGE PINS PRIOR TO PANEL BREAKOUT.
5. PRODUCT IS CERTIFIED AS AN EFFECTIVE BARRIER AGAINST THE PASSAGE OF SMOKE IN ACCORDANCE WITH UL1784 AND NFPA 105.
6. PRODUCT IS LEAKAGE RATED, DESIGNED AND TESTED FOR USE IN ALL ROOMS
7. SEE SPECIFICATIONS FOR ADDITIONAL INFORMATION.



PLAN



2 HORIZONTAL SECTION

TYPICAL PACKAGE DIMENSIONS (7/8" JAMBS)						
PACKAGE WIDTH	NOMINAL CLEAR DOOR OPENING	SLIDING DOOR NOMINAL WIDTH	SLIDING DOOR NOMINAL WIDTH	SIDELIGHT NOMINAL WIDTH	UTILITY BREAKOUT NOMINAL WIDTH	SWING OUT NOMINAL WIDTH
84" [2134]	48.4" [1229]	33.0 [838]	27.6" [701]	25.9" [658]	75.8" [1924]	31.0" [788]
96" [2438]	56.8" [1442]	36.6 [929]	31.2" [793]	30.7" [779]	87.8" [2229]	34.6" [880]
108" [2743]	64.5" [1640]	40.8 [1027]	35.5" [900]	34.2" [869]	99.8" [2534]	38.9" [988]
120" [3048]	72.3" [1837]	45.1 [1145]	39.7" [1008]	37.7" [959]	111.8" [2839]	43.1" [1095]