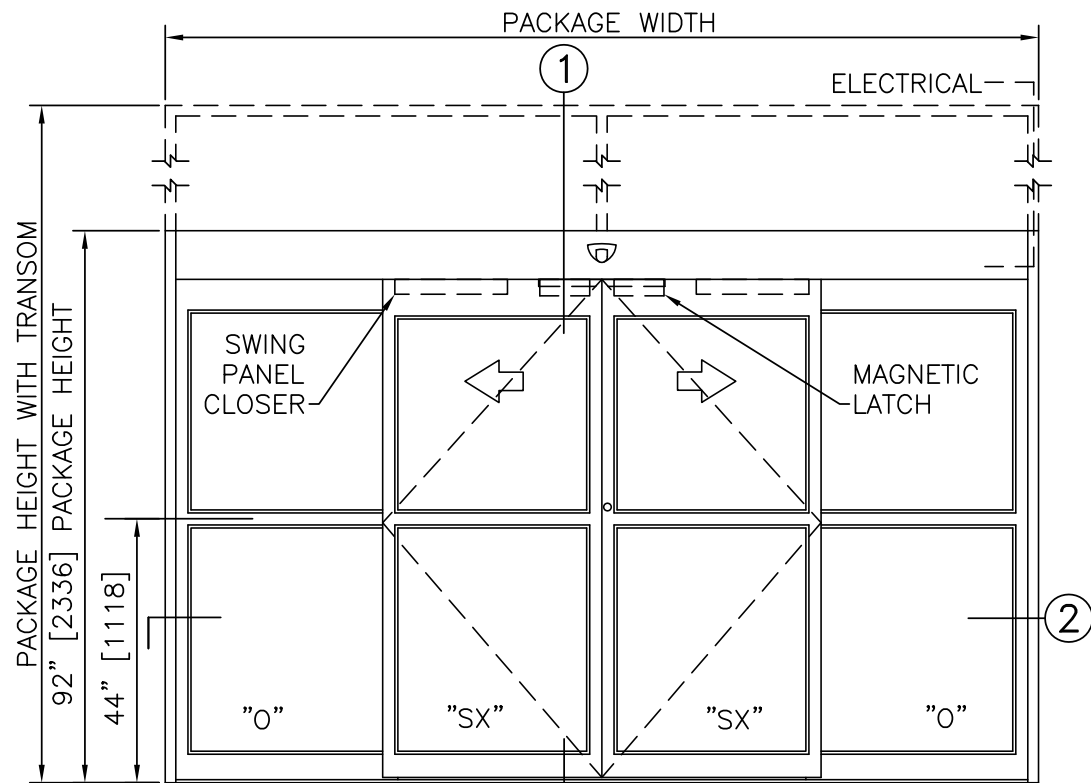


**STANLEY**  
Access Technologies

# DURA-GLIDE GREENSTAR 2000 SERIES

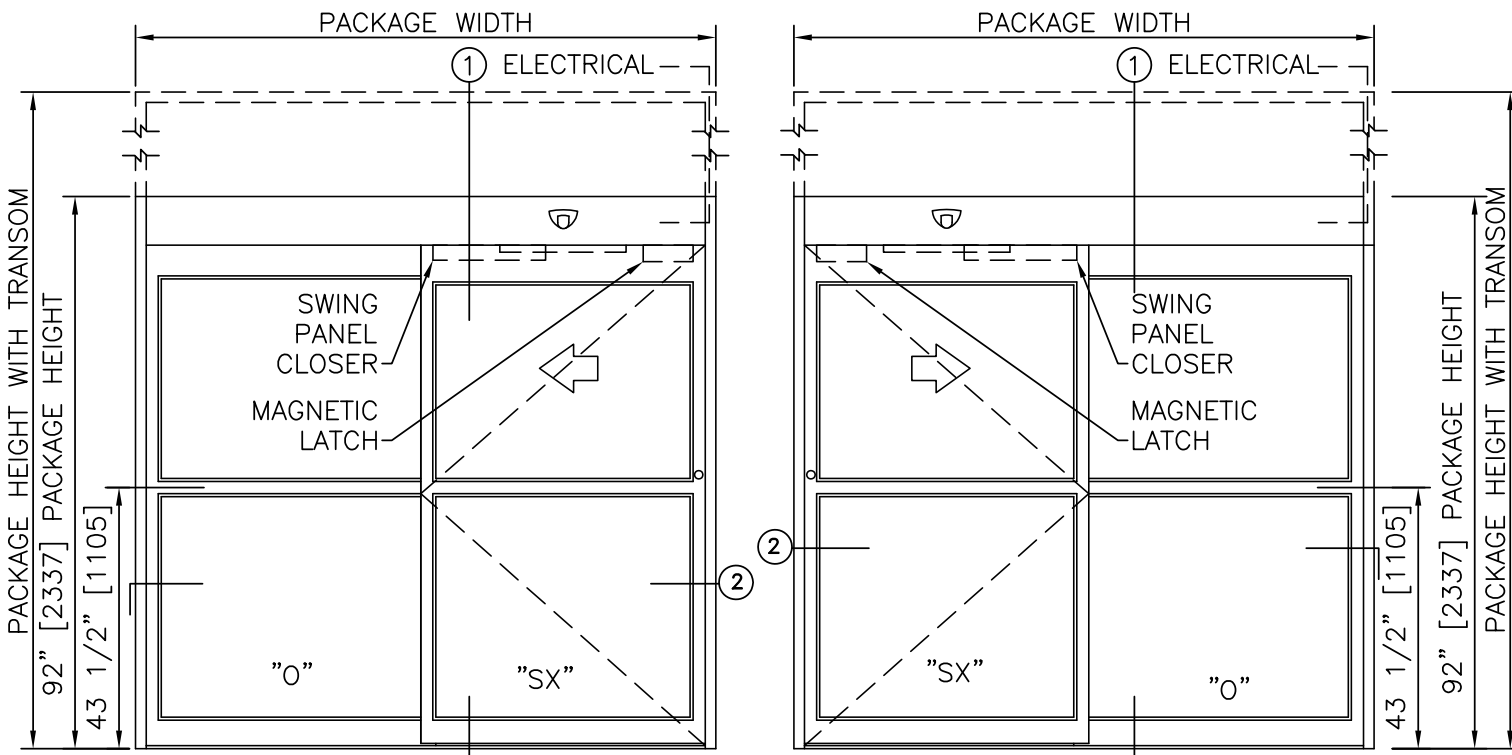
GREEN-SET-GO OPTION  
PROJECT INFORMATION

PROJECT NAME:	
LOCATION:	
DOOR NUMBER(S):	
DATE:	SHEET: OF



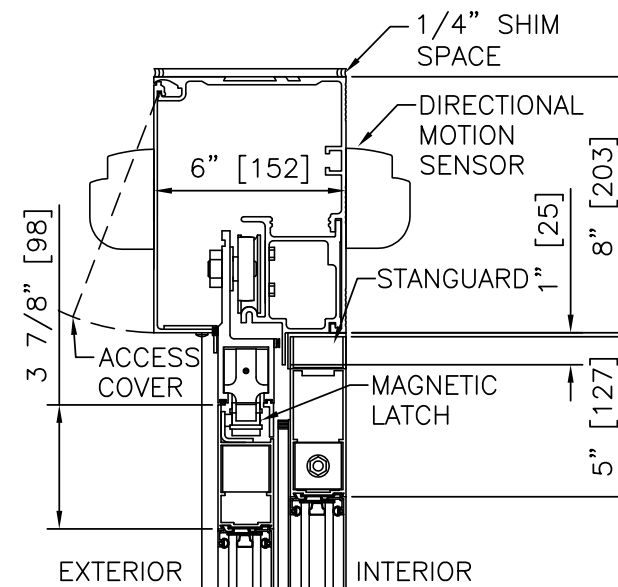
### ELEVATION VIEW

SCALE: 3/8" = 1'-0"



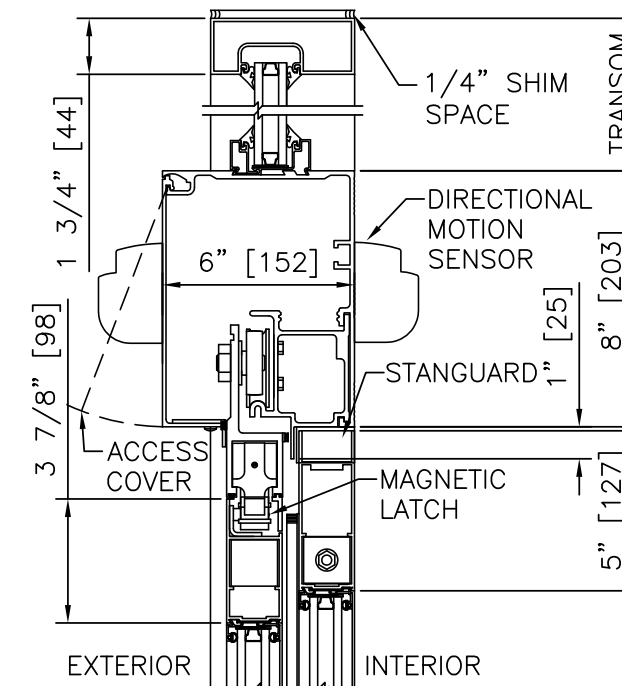
### ELEVATION VIEW

SCALE: 3/8" = 1'-0"



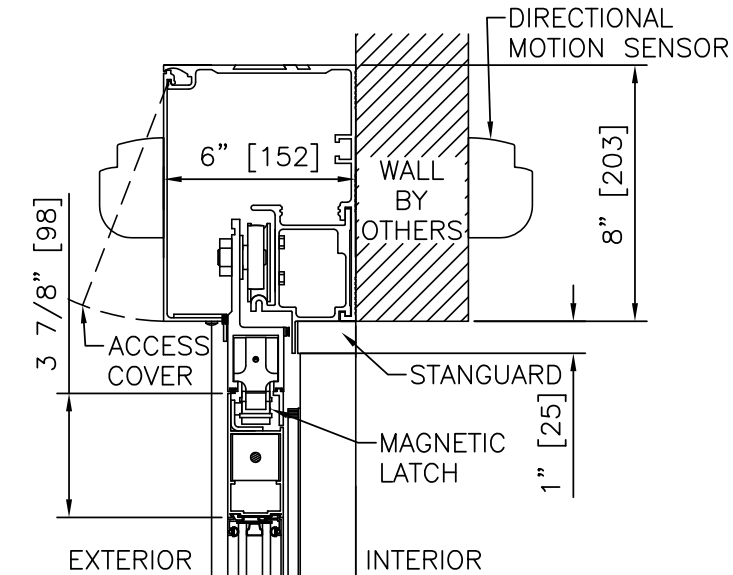
### ① VERTICAL SECTION

NO TRANSOM  
SCALE: 2" = 1'-0"



### ① VERTICAL SECTION

WITH TRANSOM  
SCALE: 2" = 1'-0"



### ① VERTICAL SECTION

SURFACE APPLIED  
SCALE: 2" = 1'-0"

#### NOTES

1. THE STANLEY GREEN-SET-GO OPTION INCLUDES HYDRAULIC PANEL CLOSERS AND MAGNETIC CATCHES DESIGNED TO RETURN BREAKOUT PANELS TO THEIR NORMAL SLIDING POSITION.
2. WITH THE GREEN-SET-GO OPTION TOP RAIL INCREASES FROM THE STANDARD 5" [127] HEIGHT TO 6" [152].

GREEN-SET-GO OPTION

**DURA-GLIDE  
GREENSTAR  
2000 SERIES**

**STANLEY**  
Access Technologies