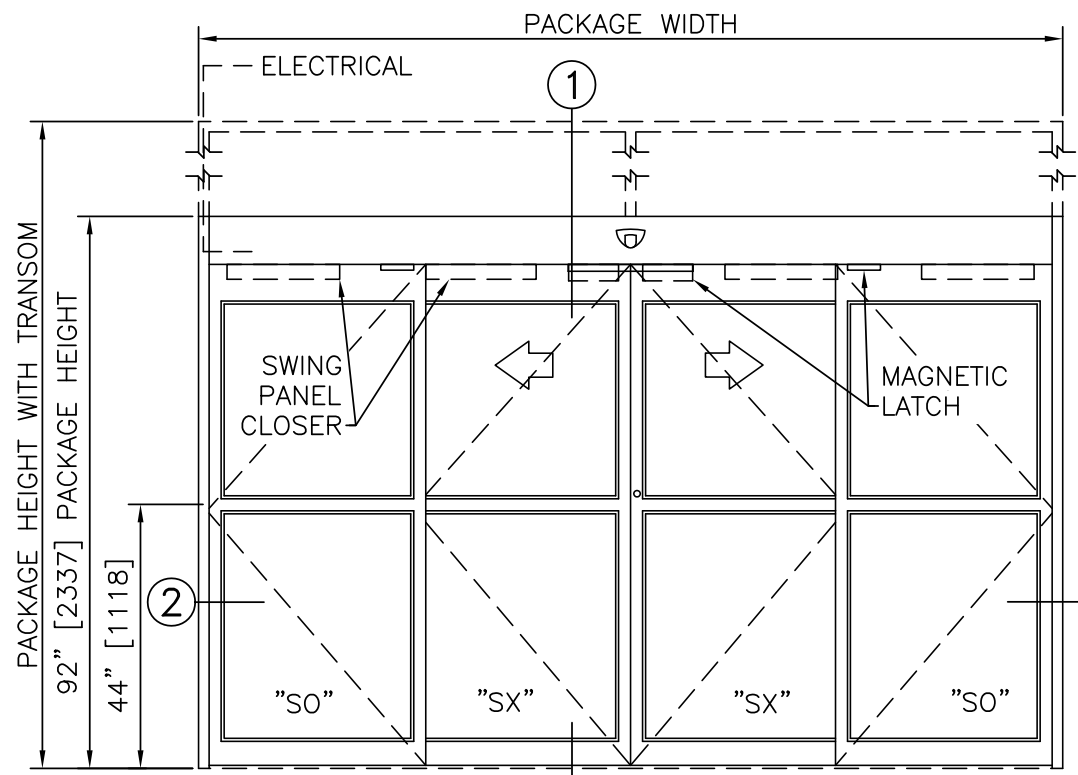


**STANLEY**  
Access Technologies

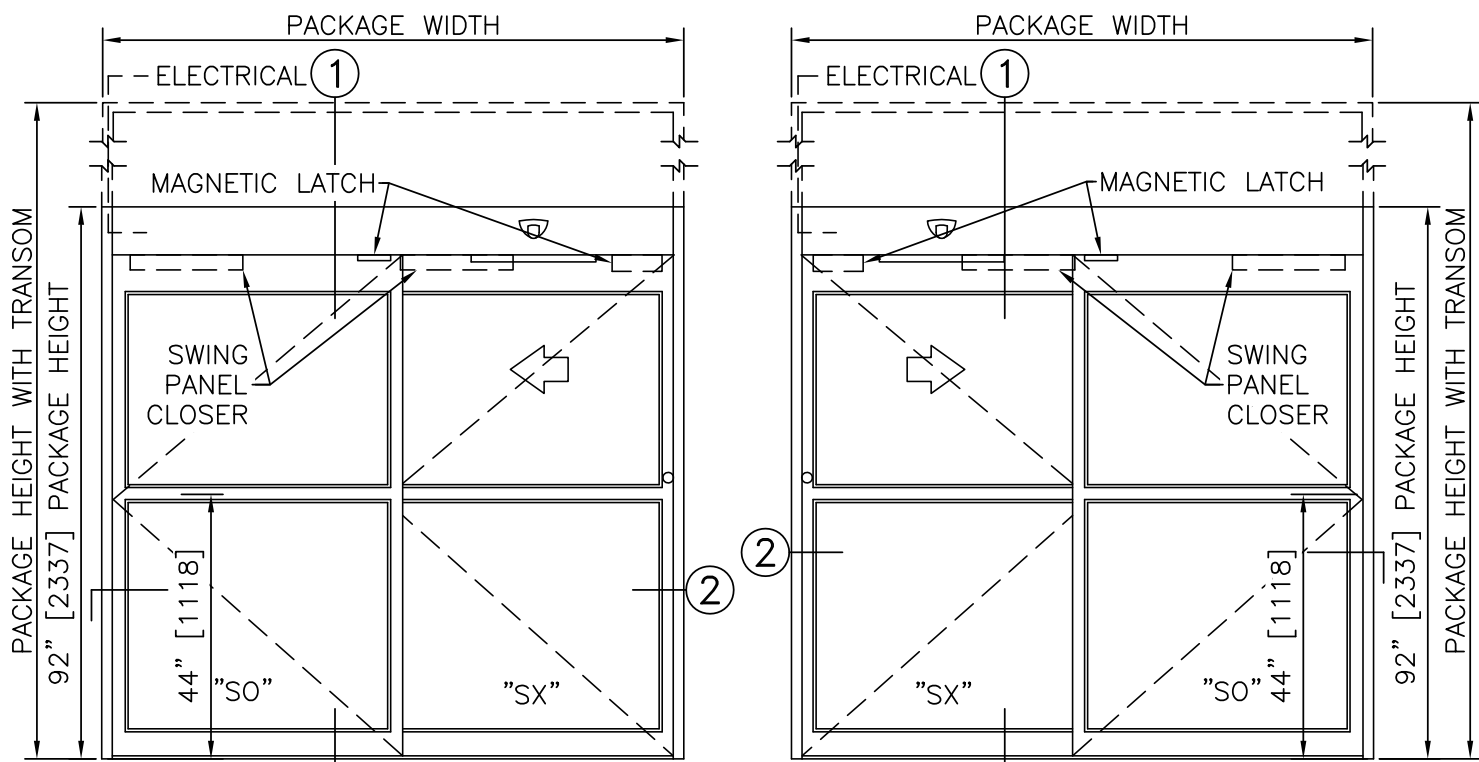
# DURA-GLIDE GREENSTAR 3000 SERIES

GREEN-SET-GO OPTION	
PROJECT INFORMATION	
PROJECT NAME:	
LOCATION:	
DOOR NUMBER(S):	
DATE:	SHEET: OF



**ELEVATION VIEW**

SCALE: 3/8" = 1'-0"

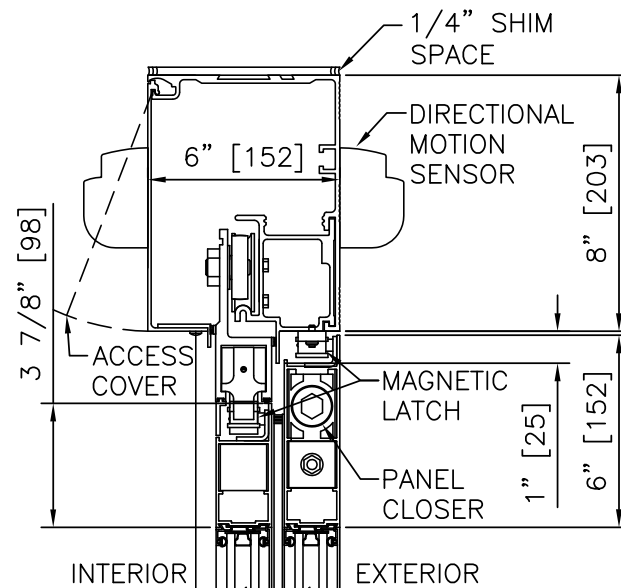


LEFT HAND SLIDE

**ELEVATION VIEW**

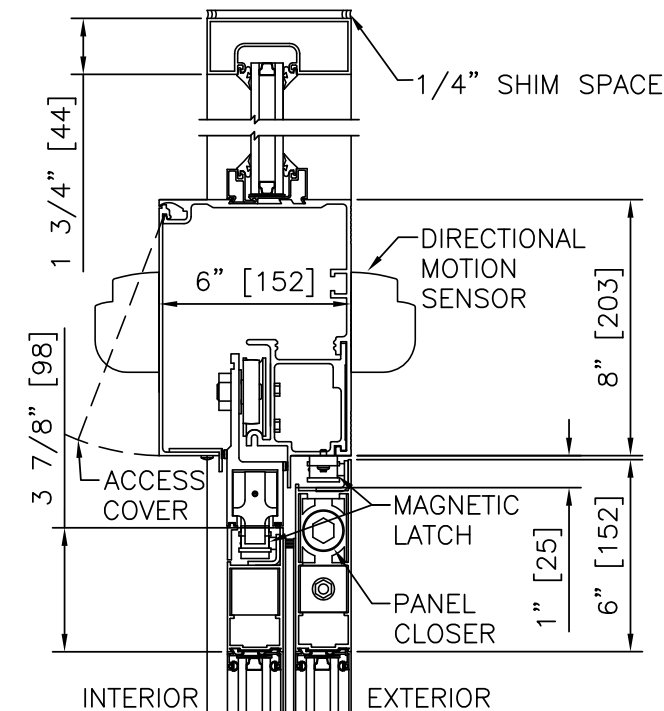
SCALE: 3/8" = 1'-0"

RIGHT HAND SLIDE



**1 VERTICAL SECTION**

NO TRANSOM  
SCALE: 2" = 1'-0"



**1 VERTICAL SECTION**

WITH TRANSOM  
SCALE: 2" = 1'-0"

**NOTES**

1. THE STANLEY GREEN-SET-GO OPTION INCLUDES HYDRAULIC PANEL CLOSERS AND MAGNETIC CATCHES DESIGNED TO RETURN BREAKOUT PANELS TO THEIR NORMAL SLIDING POSITION.
2. WITH THE GREEN-SET-GO OPTION TOP RAIL INCREASES FROM THE STANDARD 5" [127] HEIGHT TO 6" [152].

GREEN-SET-GO OPTION

**DURA-GLIDE  
GREENSTAR  
3000 SERIES**

**STANLEY**  
Access Technologies