

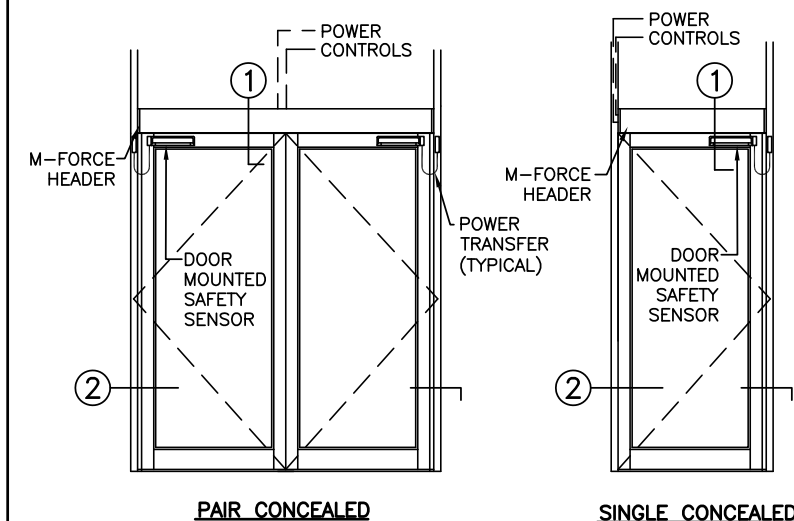
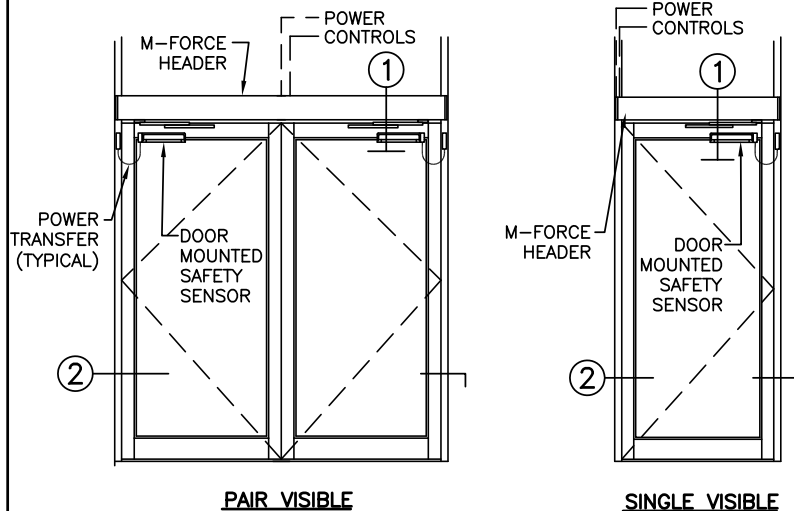
**STANLEY**  
Access Technologies

**M-FORCE™**  
(NEXT GENERATION MAGIC-FORCE™)  
**WITH**  
**SWING-GUARD®**

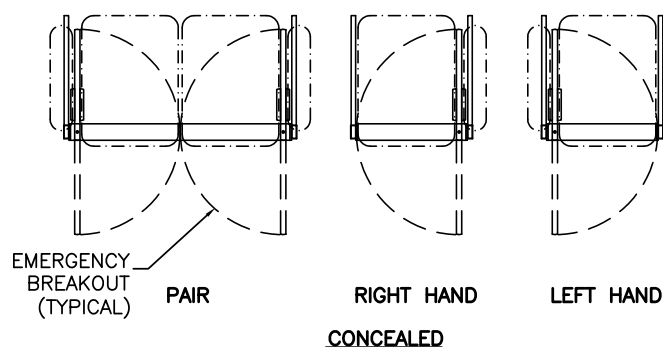
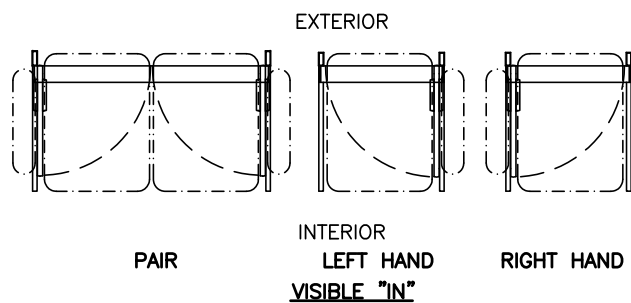
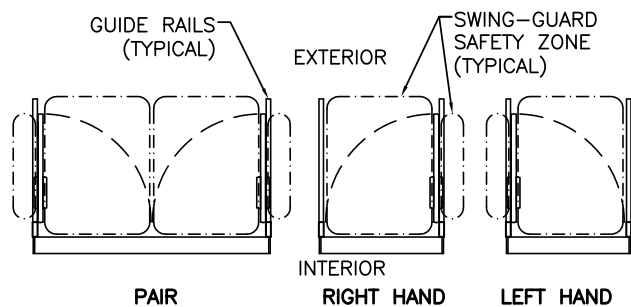
**FULL ENERGY OPERATOR ON ALUMINUM DOOR & FRAME**

PROJECT INFORMATION

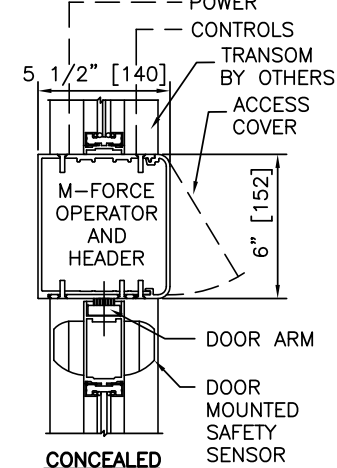
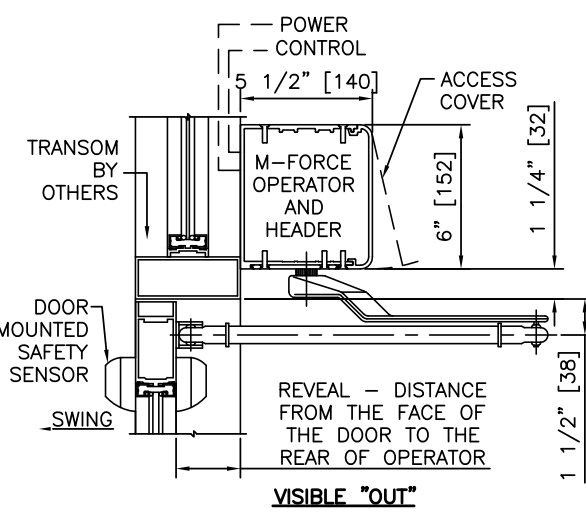
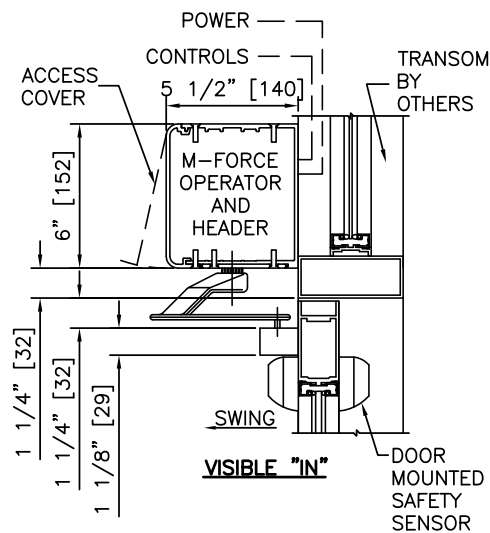
PROJECT NAME:	
LOCATION:	
DOOR NUMBER(S):	
DATE:	
SHEET: OF	



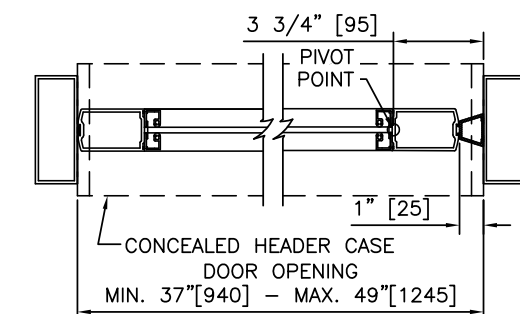
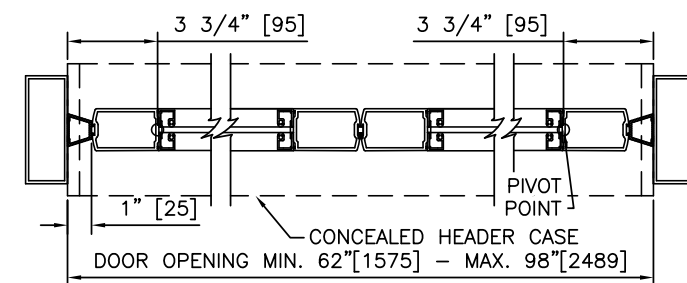
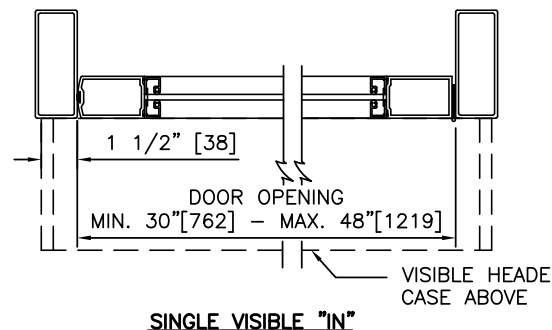
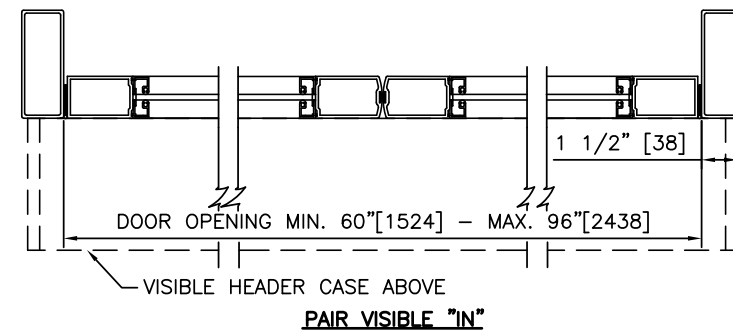
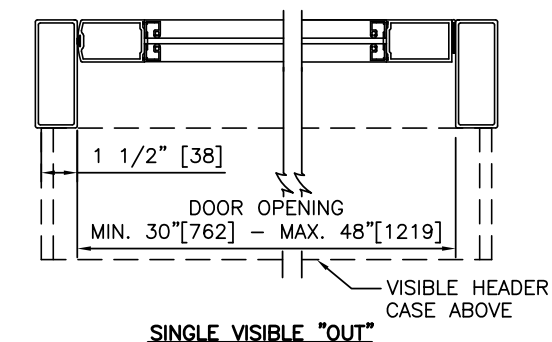
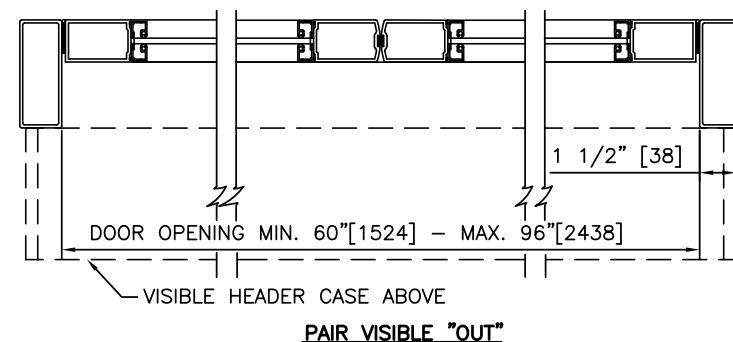
**ELEVATIONS**  
SCALE: 1/4" = 1'-0"



**PLAN VIEWS**  
SCALE: 3/16" = 1'-0"



**1 VERTICAL SECTIONS**  
SCALE: 1 1/2" = 1'-0"



**2 HORIZONTAL SECTIONS**  
SCALE: 1 1/2" = 1'-0"

**NOTES**

- ELECTRICAL REQUIREMENTS: BY ELECTRICAL CONTRACTOR
  - 120 VAC, 5 AMP MIN TO OPERATOR.
  - CONTROL CIRCUIT FROM ACTIVATION TO OPERATOR.
- DOORS, FRAMES, AND HARDWARE BY OTHERS.
- DOORS MUST BE UN-LATCHED FOR PROPER OPERATION. PROVIDE TIME DELAY RELAY WHEN REQUIRED FOR PROPER OPERATION.
- LIMITS OF ACTIVATION AND SAFETY ZONES ARE PROVIDED FOR REFERENCE ONLY; SEE ANSI/BHMA A156.10 FOR SPECIFIC REQUIREMENTS.
- OPERATOR AND INSTALLATION TO COMPLY WITH ANSI/BHMA A156.10.
- SEE SPECIFICATIONS FOR ADDITIONAL INFORMATION.

**FULL ENERGY OPERATOR ON ALUMINUM DOOR & FRAME**

**M-FORCE™**  
(NEXT GENERATION MAGIC-FORCE™)  
**WITH**  
**SWING-GUARD®**

**STANLEY**  
Access Technologies

**M-FORCE™**  
(NEXT GENERATION MAGIC-FORCE™)  
**WITH**  
**SWING-GUARD®**

FULL ENERGY OPERATOR, AL FRAME, VISIBLE, RIGHT HAND IN

PROJECT INFORMATION

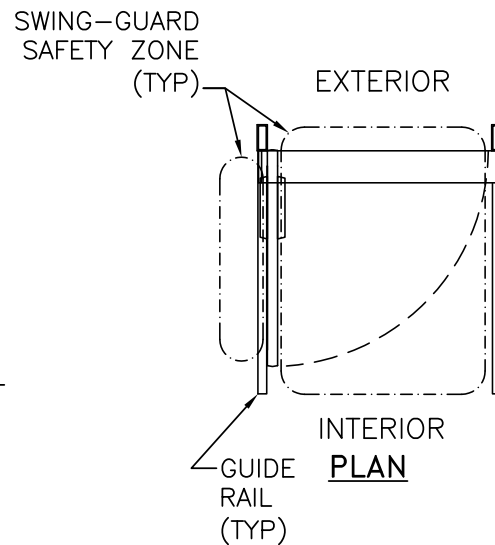
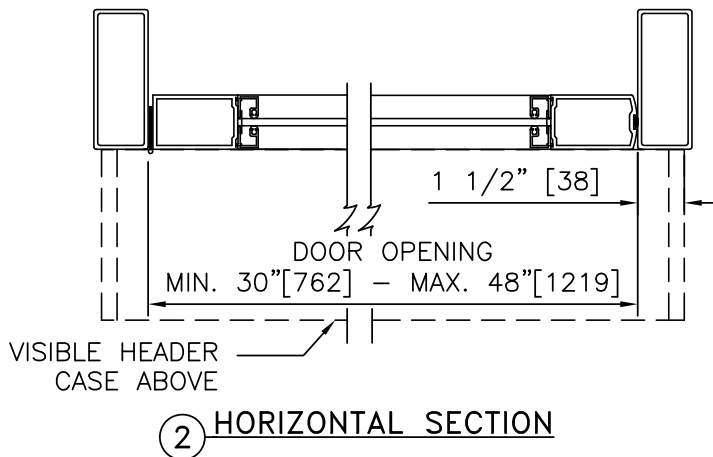
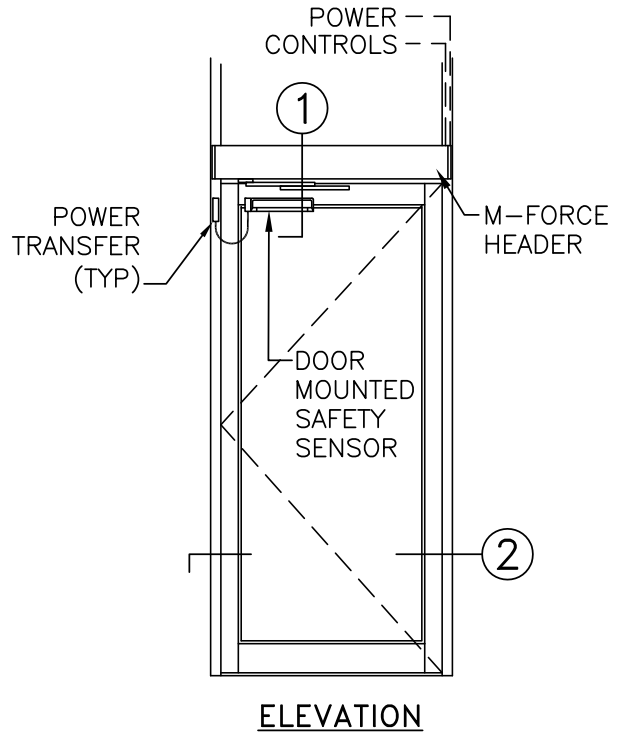
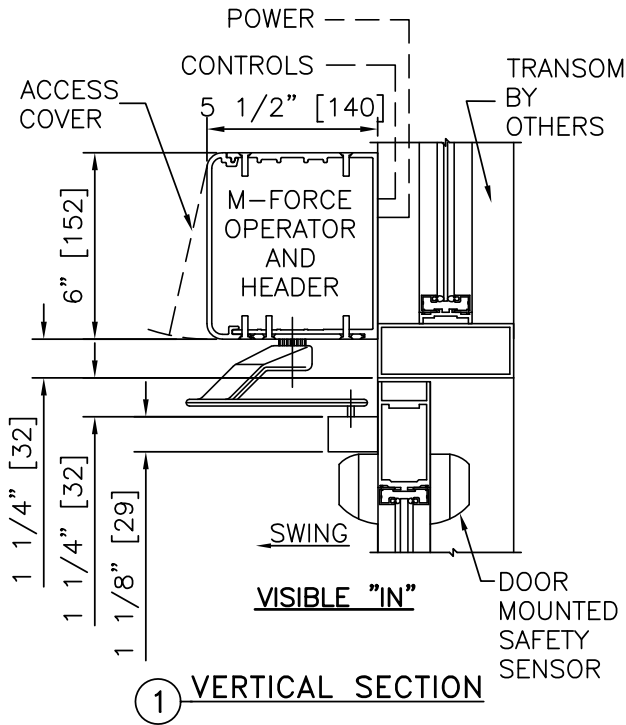
PROJECT NAME:

LOCATION:

DOOR NUMBER(S):

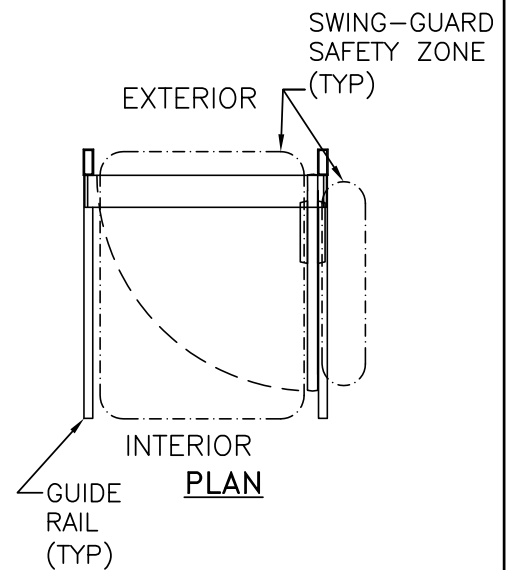
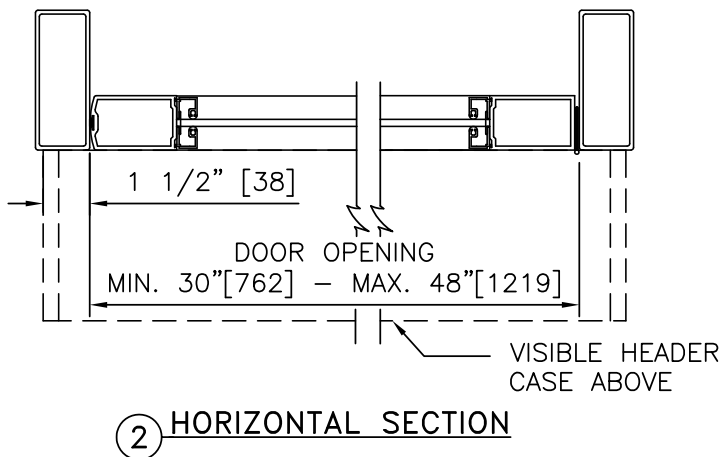
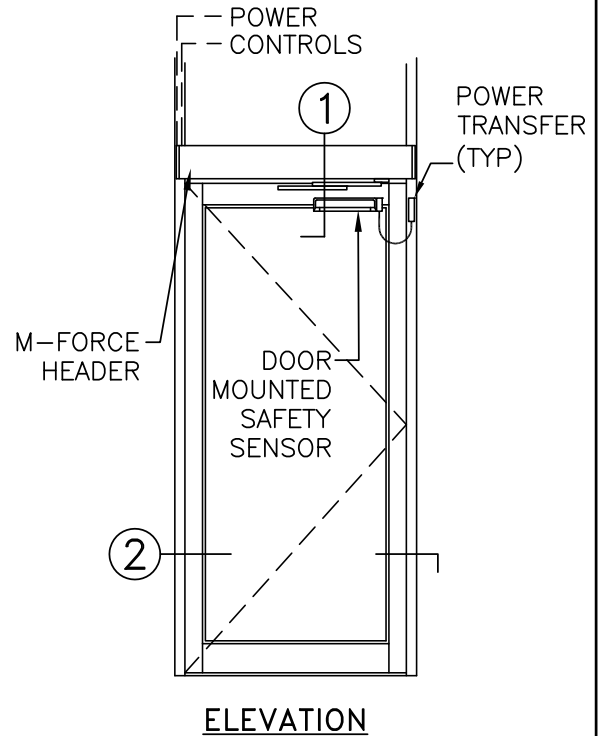
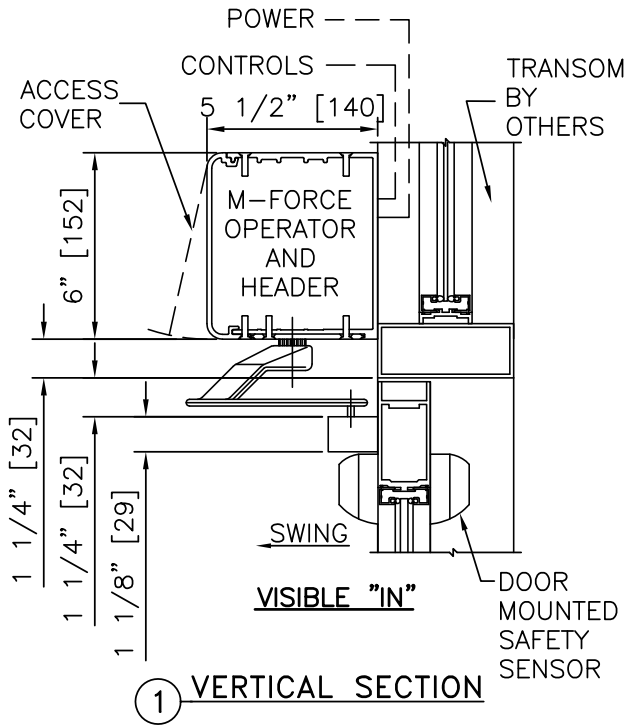
DATE:

SHEET: OF



**NOTES:**

1. DETAILS NOT TO SCALE.
2. ELECTRICAL REQUIREMENTS: BY ELECTRICAL CONTRACTOR
  - 2.1. 120 VAC, 5 AMP MIN TO OPERATOR.
  - 2.2. CONTROL CIRCUIT FROM ACTIVATION TO OPERATOR.
3. DOORS, FRAMES, AND HARDWARE BY OTHERS.
4. DOORS MUST BE UN-LATCHED FOR PROPER OPERATION. PROVIDE TIME DELAY RELAY WHEN REQUIRED FOR PROPER OPERATION.
5. LIMITS OF ACTIVATION AND SAFETY ZONES ARE PROVIDED FOR REFERENCE ONLY; SEE ANSI/BHMA A156.10 FOR SPECIFIC REQUIREMENTS.
6. OPERATOR AND INSTALLATION TO COMPLY WITH ANSI/BHMA A156.10.
7. SEE SPECIFICATIONS FOR ADDITIONAL INFORMATION.



**NOTES:**

1. DETAILS NOT TO SCALE.
2. ELECTRICAL REQUIREMENTS: BY ELECTRICAL CONTRACTOR
  - 2.1. 120 VAC, 5 AMP MIN TO OPERATOR.
  - 2.2. CONTROL CIRCUIT FROM ACTIVATION TO OPERATOR.
3. DOORS, FRAMES, AND HARDWARE BY OTHERS.
4. DOORS MUST BE UN-LATCHED FOR PROPER OPERATION. PROVIDE TIME DELAY RELAY WHEN REQUIRED FOR PROPER OPERATION.
5. LIMITS OF ACTIVATION AND SAFETY ZONES ARE PROVIDED FOR REFERENCE ONLY; SEE ANSI/BHMA A156.10 FOR SPECIFIC REQUIREMENTS.
6. OPERATOR AND INSTALLATION TO COMPLY WITH ANSI/BHMA A156.10.
7. SEE SPECIFICATIONS FOR ADDITIONAL INFORMATION.

**M-FORCE™**  
(NEXT GENERATION MAGIC-FORCE™)  
**WITH**  
**SWING-GUARD®**

FULL ENERGY OPERATOR, AL FRAME, VISIBLE, RIGHT HAND OUT

PROJECT INFORMATION

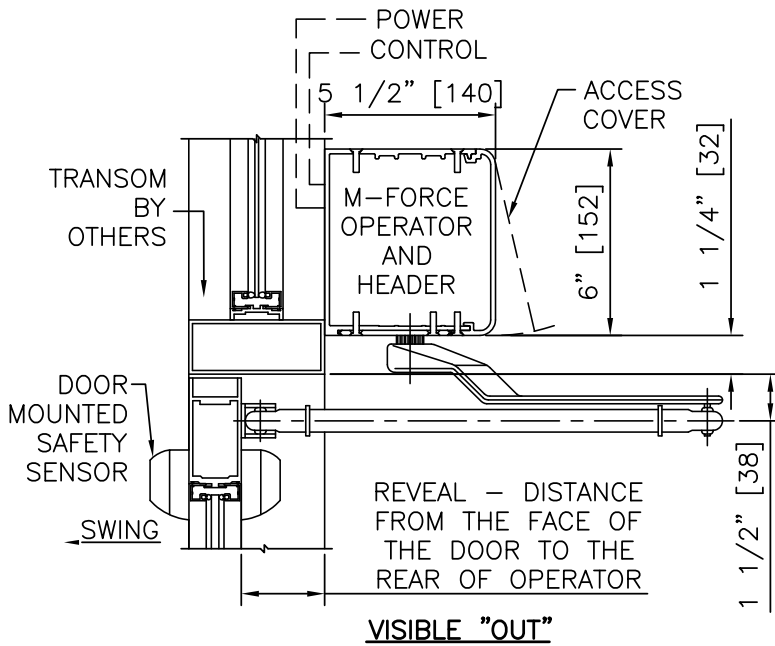
PROJECT NAME:

LOCATION:

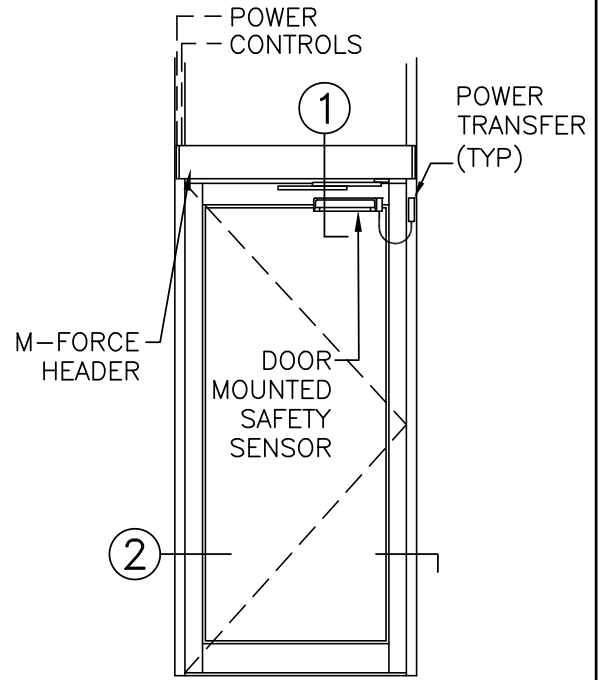
DOOR NUMBER(S):

DATE:

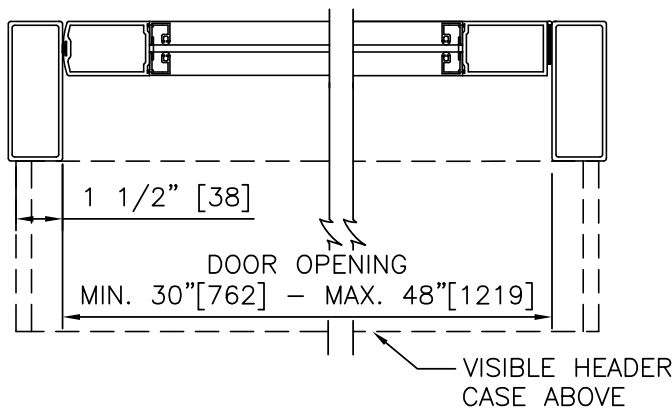
SHEET: OF



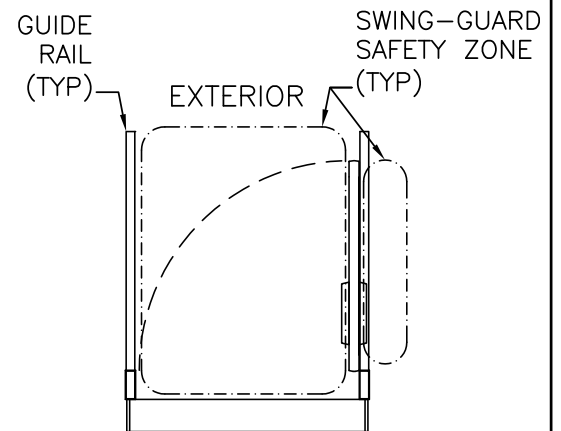
① VERTICAL SECTION



ELEVATION



② HORIZONTAL SECTION



INTERIOR PLAN

**NOTES:**

1. DETAILS NOT TO SCALE.
2. ELECTRICAL REQUIREMENTS: BY ELECTRICAL CONTRACTOR
  - 2.1. 120 VAC, 5 AMP MIN TO OPERATOR.
  - 2.2. CONTROL CIRCUIT FROM ACTIVATION TO OPERATOR.
3. DOORS, FRAMES, AND HARDWARE BY OTHERS.
4. DOORS MUST BE UN-LATCHED FOR PROPER OPERATION. PROVIDE TIME DELAY RELAY WHEN REQUIRED FOR PROPER OPERATION.
5. LIMITS OF ACTIVATION AND SAFETY ZONES ARE PROVIDED FOR REFERENCE ONLY; SEE ANSI/BHMA A156.10 FOR SPECIFIC REQUIREMENTS.
6. OPERATOR AND INSTALLATION TO COMPLY WITH ANSI/BHMA A156.10.
7. SEE SPECIFICATIONS FOR ADDITIONAL INFORMATION.

**M-FORCE™**  
(NEXT GENERATION MAGIC-FORCE™)  
**WITH**  
**SWING-GUARD®**

FULL ENERGY OPERATOR, AL FRAME, VISIBLE, LEFT HAND OUT

PROJECT INFORMATION

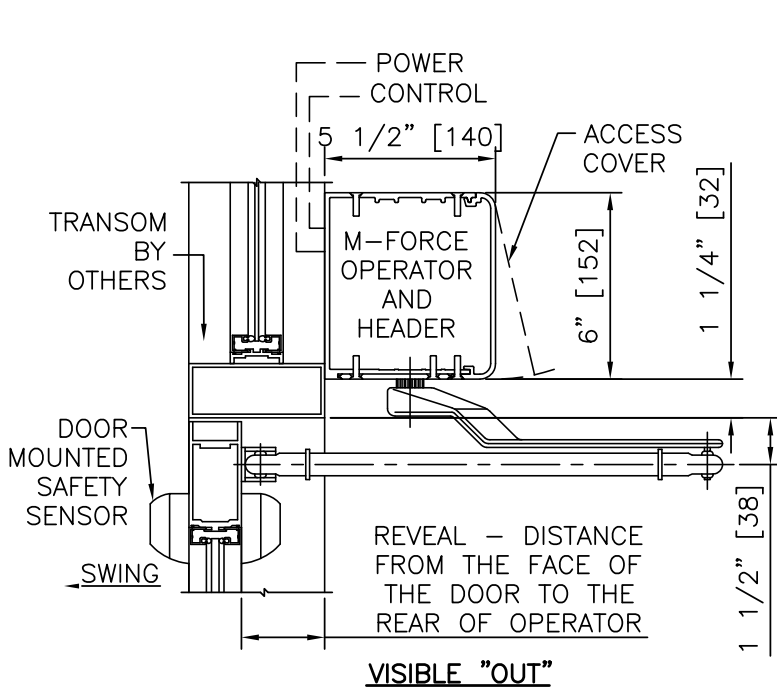
PROJECT NAME:

LOCATION:

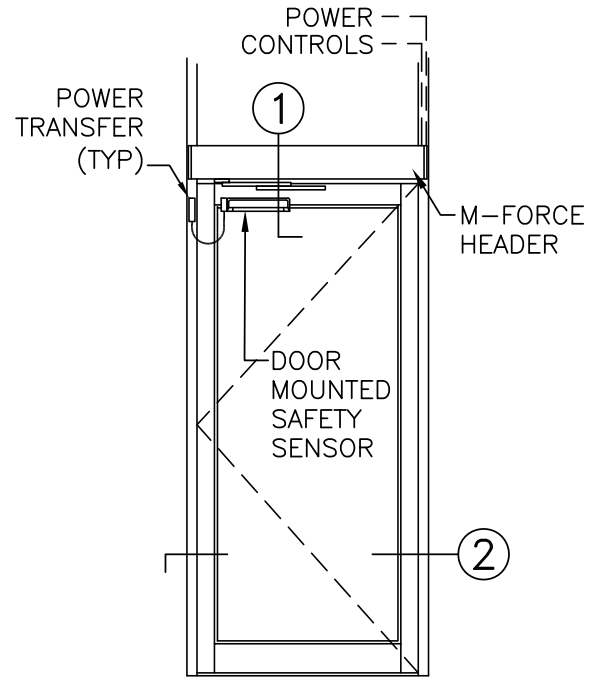
DOOR NUMBER(S):

DATE:

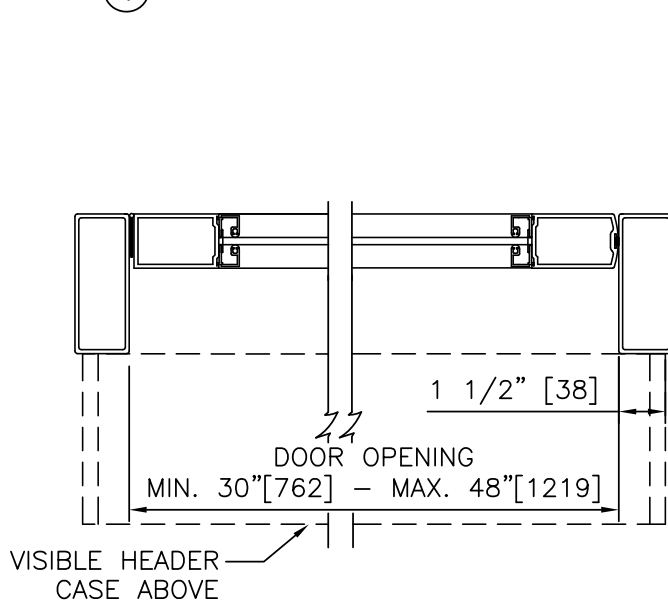
SHEET: OF



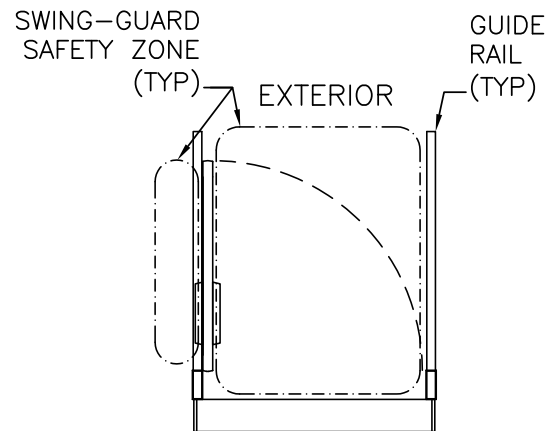
① VERTICAL SECTION



ELEVATION



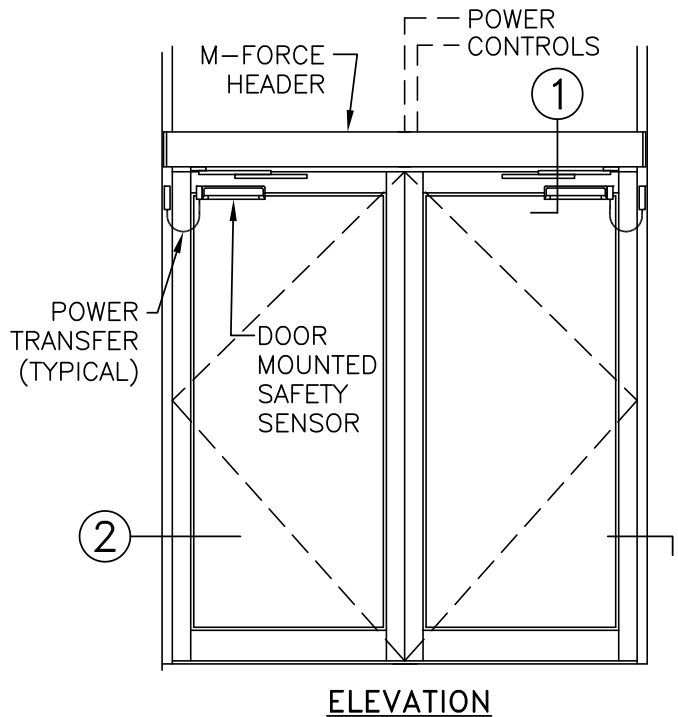
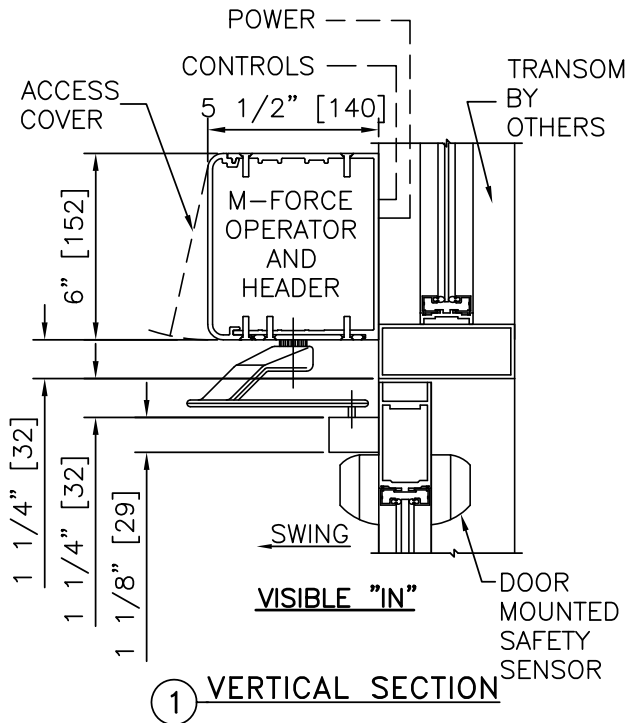
② HORIZONTAL SECTION



INTERIOR PLAN

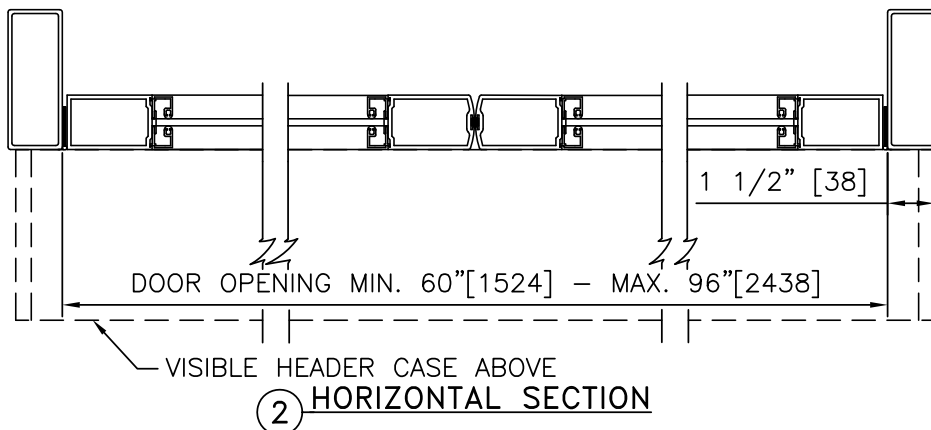
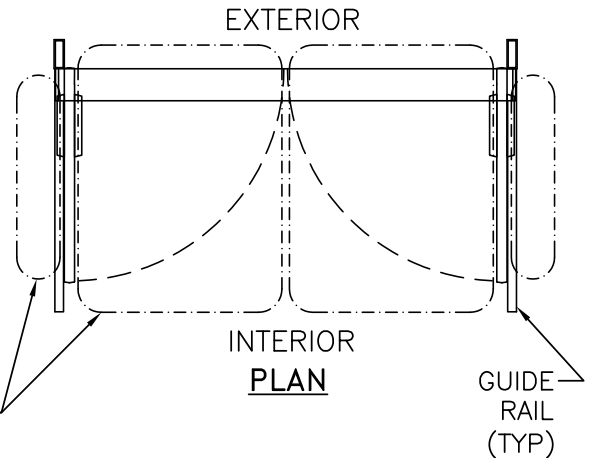
**NOTES:**

1. DETAILS NOT TO SCALE.
2. ELECTRICAL REQUIREMENTS: BY ELECTRICAL CONTRACTOR
  - 2.1. 120 VAC, 5 AMP MIN TO OPERATOR.
  - 2.2. CONTROL CIRCUIT FROM ACTIVATION TO OPERATOR.
3. DOORS, FRAMES, AND HARDWARE BY OTHERS.
4. DOORS MUST BE UN-LATCHED FOR PROPER OPERATION. PROVIDE TIME DELAY RELAY WHEN REQUIRED FOR PROPER OPERATION.
5. LIMITS OF ACTIVATION AND SAFETY ZONES ARE PROVIDED FOR REFERENCE ONLY; SEE ANSI/BHMA A156.10 FOR SPECIFIC REQUIREMENTS.
6. OPERATOR AND INSTALLATION TO COMPLY WITH ANSI/BHMA A156.10.
7. SEE SPECIFICATIONS FOR ADDITIONAL INFORMATION.



**NOTES:**

1. DETAILS NOT TO SCALE.
2. ELECTRICAL REQUIREMENTS: BY ELECTRICAL CONTRACTOR
  - 2.1. 120 VAC, 5 AMP MIN TO OPERATOR.
  - 2.2. CONTROL CIRCUIT FROM ACTIVATION TO OPERATOR.
3. DOORS, FRAMES, AND HARDWARE BY OTHERS.
4. DOORS MUST BE UN-LATCHED FOR PROPER OPERATION. PROVIDE TIME DELAY RELAY WHEN REQUIRED FOR PROPER OPERATION.
5. LIMITS OF ACTIVATION AND SAFETY ZONES ARE PROVIDED FOR REFERENCE ONLY; SEE ANSI/BHMA A156.10 FOR SPECIFIC REQUIREMENTS.
6. OPERATOR AND INSTALLATION TO COMPLY WITH ANSI/BHMA A156.10.
7. SEE SPECIFICATIONS FOR ADDITIONAL INFORMATION.



**M-FORCE™**  
(NEXT GENERATION MAGIC-FORCE™)  
**WITH**  
**SWING-GUARD®**

FULL ENERGY OPERATOR, AL FRAME, VISIBLE, PAIR OUT

PROJECT INFORMATION

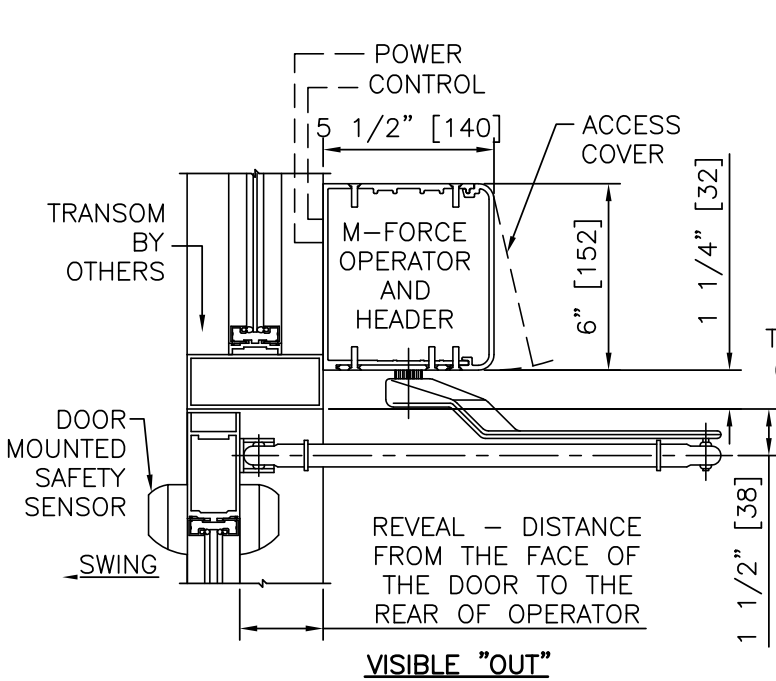
PROJECT NAME:

LOCATION:

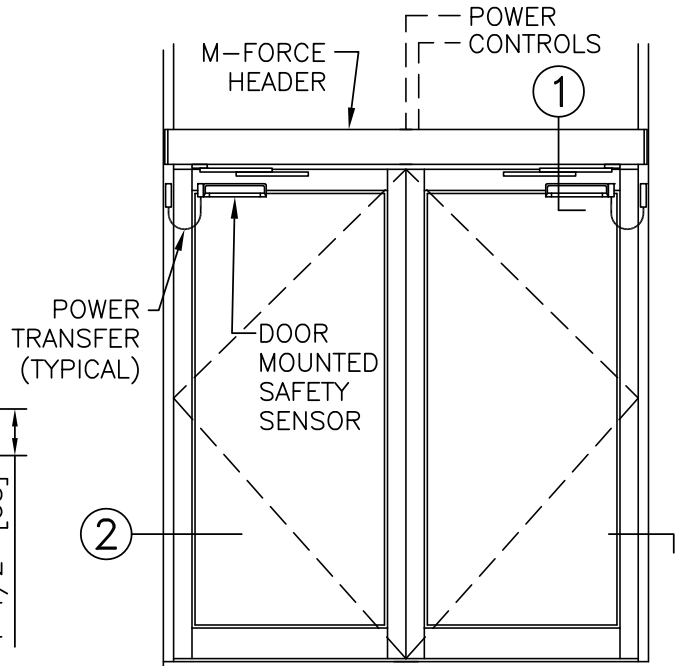
DOOR NUMBER(S):

DATE:

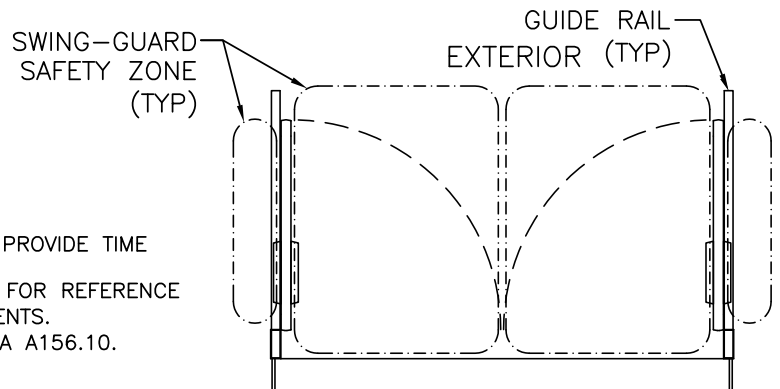
SHEET: OF



① VERTICAL SECTION



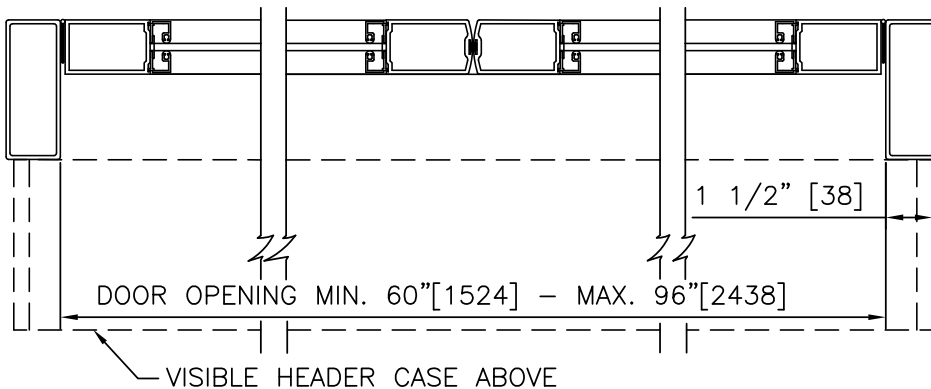
ELEVATION



INTERIOR PLAN

NOTES:

1. DETAILS NOT TO SCALE.
2. ELECTRICAL REQUIREMENTS: BY ELECTRICAL CONTRACTOR
  - 2.1. 120 VAC, 5 AMP MIN TO OPERATOR.
  - 2.2. CONTROL CIRCUIT FROM ACTIVATION TO OPERATOR.
3. DOORS, FRAMES, AND HARDWARE BY OTHERS.
4. DOORS MUST BE UN-LATCHED FOR PROPER OPERATION. PROVIDE TIME DELAY RELAY WHEN REQUIRED FOR PROPER OPERATION.
5. LIMITS OF ACTIVATION AND SAFETY ZONES ARE PROVIDED FOR REFERENCE ONLY; SEE ANSI/BHMA A156.10 FOR SPECIFIC REQUIREMENTS.
6. OPERATOR AND INSTALLATION TO COMPLY WITH ANSI/BHMA A156.10.
7. SEE SPECIFICATIONS FOR ADDITIONAL INFORMATION.



② HORIZONTAL SECTION

**M-FORCE™**  
(NEXT GENERATION MAGIC-FORCE™)  
**WITH**  
**SWING-GUARD®**

FULL ENERGY OPERATOR, AL FRAME, CONCEALED, RIGHT HAND

PROJECT INFORMATION

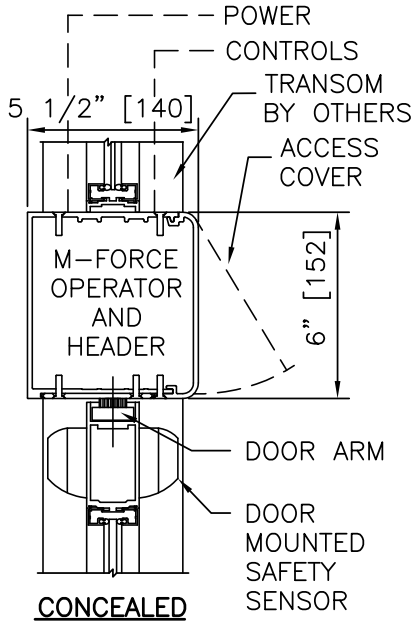
PROJECT NAME:

LOCATION:

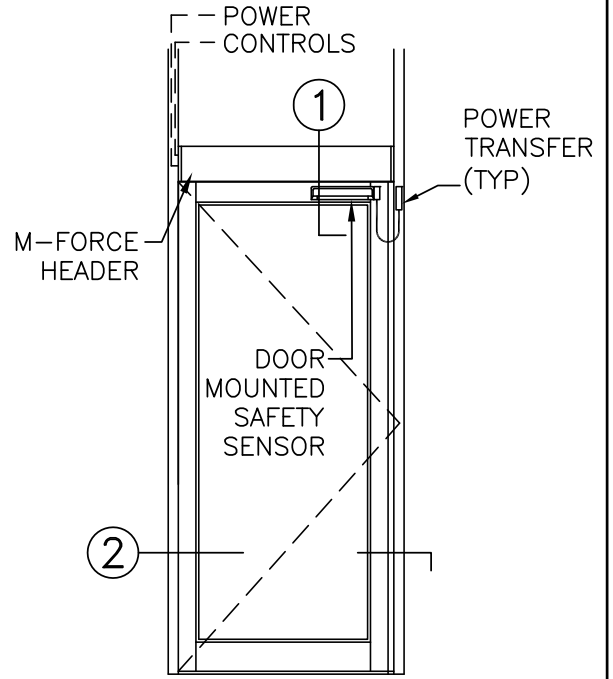
DOOR NUMBER(S):

DATE:

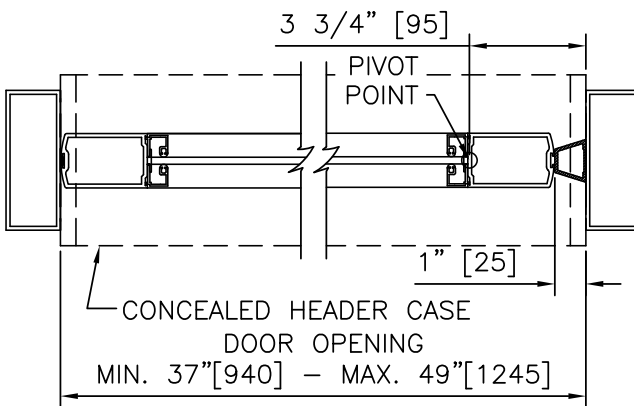
SHEET: OF



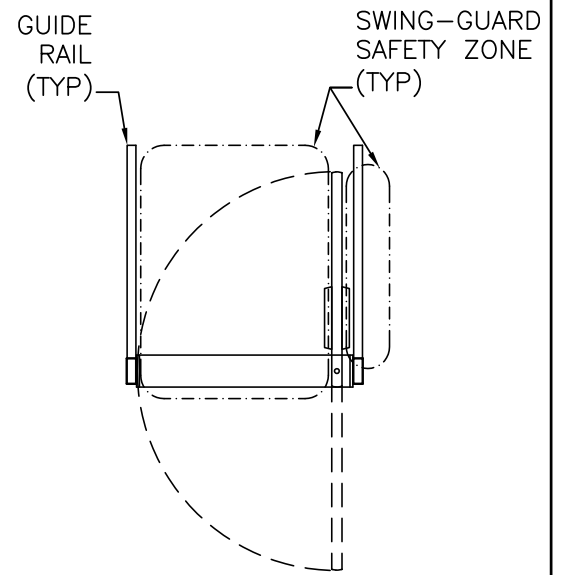
① VERTICAL SECTION



ELEVATION



② HORIZONTAL SECTION



PLAN

**NOTES:**

1. DETAILS NOT TO SCALE.
2. ELECTRICAL REQUIREMENTS: BY ELECTRICAL CONTRACTOR
  - 2.1. 120 VAC, 5 AMP MIN TO OPERATOR.
  - 2.2. CONTROL CIRCUIT FROM ACTIVATION TO OPERATOR.
3. DOORS, FRAMES, AND HARDWARE BY OTHERS.
4. DOORS MUST BE UN-LATCHED FOR PROPER OPERATION. PROVIDE TIME DELAY RELAY WHEN REQUIRED FOR PROPER OPERATION.
5. LIMITS OF ACTIVATION AND SAFETY ZONES ARE PROVIDED FOR REFERENCE ONLY; SEE ANSI/BHMA A156.10 FOR SPECIFIC REQUIREMENTS.
6. OPERATOR AND INSTALLATION TO COMPLY WITH ANSI/BHMA A156.10.
7. SEE SPECIFICATIONS FOR ADDITIONAL INFORMATION.



**M-FORCE™**  
(NEXT GENERATION MAGIC-FORCE™)  
**WITH**  
**SWING-GUARD®**

FULL ENERGY OPERATOR, AL FRAME, CONCEALED, LEFT HAND

PROJECT INFORMATION

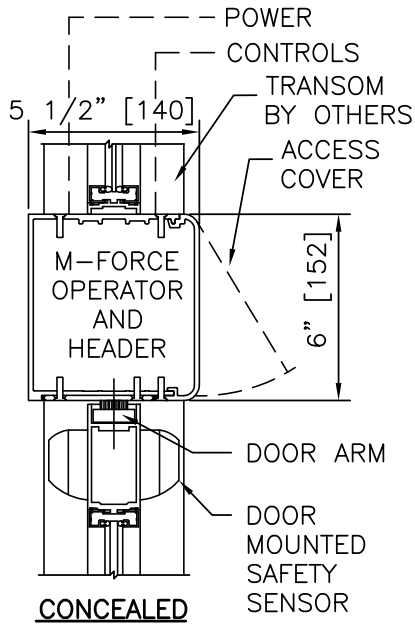
PROJECT NAME:

LOCATION:

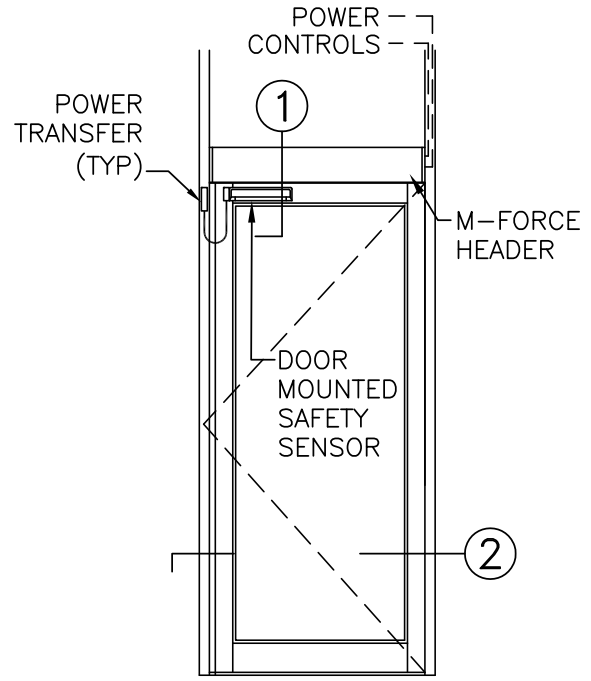
DOOR NUMBER(S):

DATE:

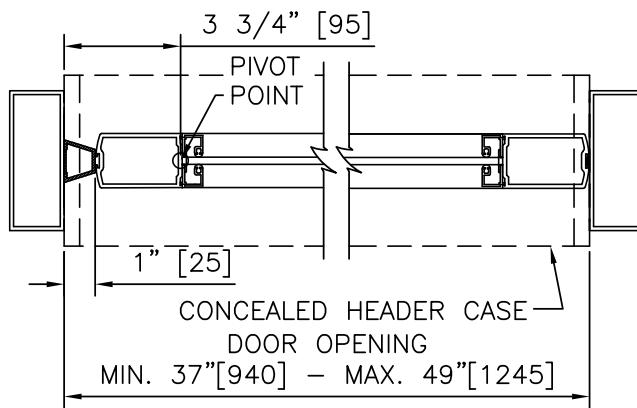
SHEET: OF



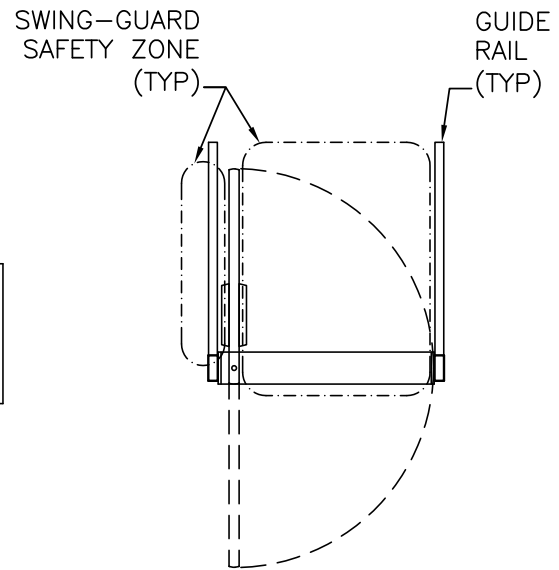
① VERTICAL SECTION



ELEVATION



② HORIZONTAL SECTION



PLAN

**NOTES:**

1. DETAILS NOT TO SCALE.
2. ELECTRICAL REQUIREMENTS: BY ELECTRICAL CONTRACTOR
  - 2.1. 120 VAC, 5 AMP MIN TO OPERATOR.
  - 2.2. CONTROL CIRCUIT FROM ACTIVATION TO OPERATOR.
3. DOORS, FRAMES, AND HARDWARE BY OTHERS.
4. DOORS MUST BE UN-LATCHED FOR PROPER OPERATION. PROVIDE TIME DELAY RELAY WHEN REQUIRED FOR PROPER OPERATION.
5. LIMITS OF ACTIVATION AND SAFETY ZONES ARE PROVIDED FOR REFERENCE ONLY; SEE ANSI/BHMA A156.10 FOR SPECIFIC REQUIREMENTS.
6. OPERATOR AND INSTALLATION TO COMPLY WITH ANSI/BHMA A156.10.
7. SEE SPECIFICATIONS FOR ADDITIONAL INFORMATION.

**M-FORCE™**  
(NEXT GENERATION MAGIC-FORCE™)  
**WITH**  
**SWING-GUARD®**

FULL ENERGY OPERATOR, AL FRAME, CONCEALED, PAIR

PROJECT INFORMATION

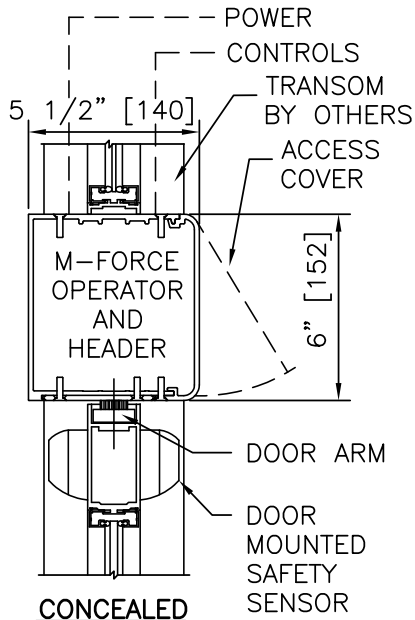
PROJECT NAME:

LOCATION:

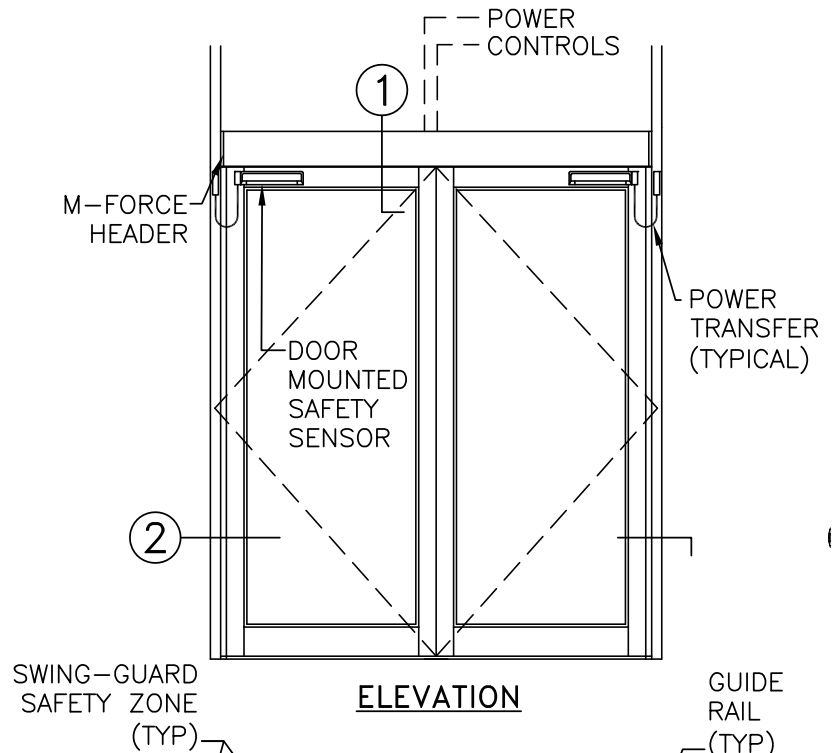
DOOR NUMBER(S):

DATE:

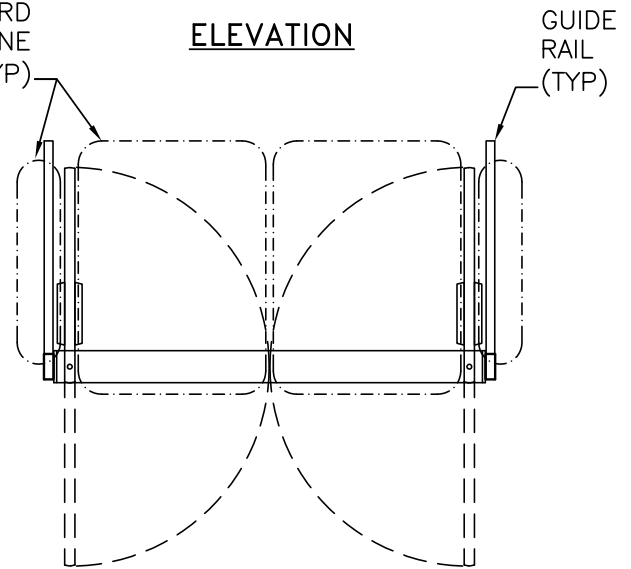
SHEET: OF



① VERTICAL SECTION



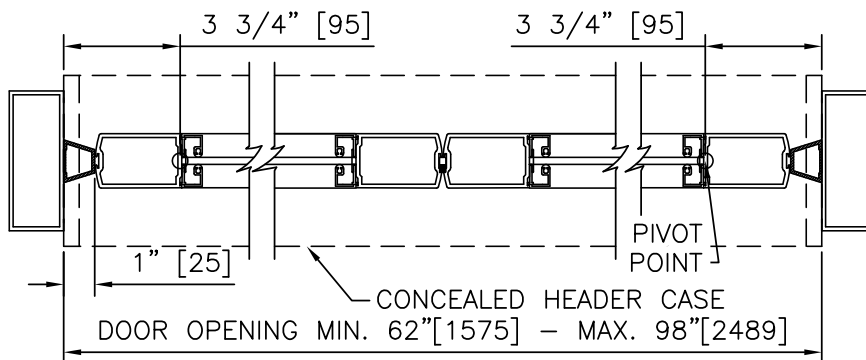
ELEVATION



PLAN

**NOTES:**

1. DETAILS NOT TO SCALE.
2. ELECTRICAL REQUIREMENTS: BY ELECTRICAL CONTRACTOR
  - 2.1. 120 VAC, 5 AMP MIN TO OPERATOR.
  - 2.2. CONTROL CIRCUIT FROM ACTIVATION TO OPERATOR.
3. DOORS, FRAMES, AND HARDWARE BY OTHERS.
4. DOORS MUST BE UN-LATCHED FOR PROPER OPERATION. PROVIDE TIME DELAY RELAY WHEN REQUIRED FOR PROPER OPERATION.
5. LIMITS OF ACTIVATION AND SAFETY ZONES ARE PROVIDED FOR REFERENCE ONLY; SEE ANSI/BHMA A156.10 FOR SPECIFIC REQUIREMENTS.
6. OPERATOR AND INSTALLATION TO COMPLY WITH ANSI/BHMA A156.10.
7. SEE SPECIFICATIONS FOR ADDITIONAL INFORMATION.



② HORIZONTAL SECTION