



SLIDING AUTOMATIC ENTRANCES: DURA-GUARD™ 2000, BI-PARTING

1.18 - BI-PARTING

- **1.18.01 - Bi-Parting**
- **1.18.02 - Bi-Parting with Transom**
- **1.18.03 - Bi-Parting with Access Control, Recessed**
- **1.18.04 - Bi-Parting with Transom & Access Control, Recessed**

STANLEY
Access Technologies

DURA-GUARD
2000
SERIES

BI-PART WITH OPTIONAL TRANSOM

PROJECT INFORMATION

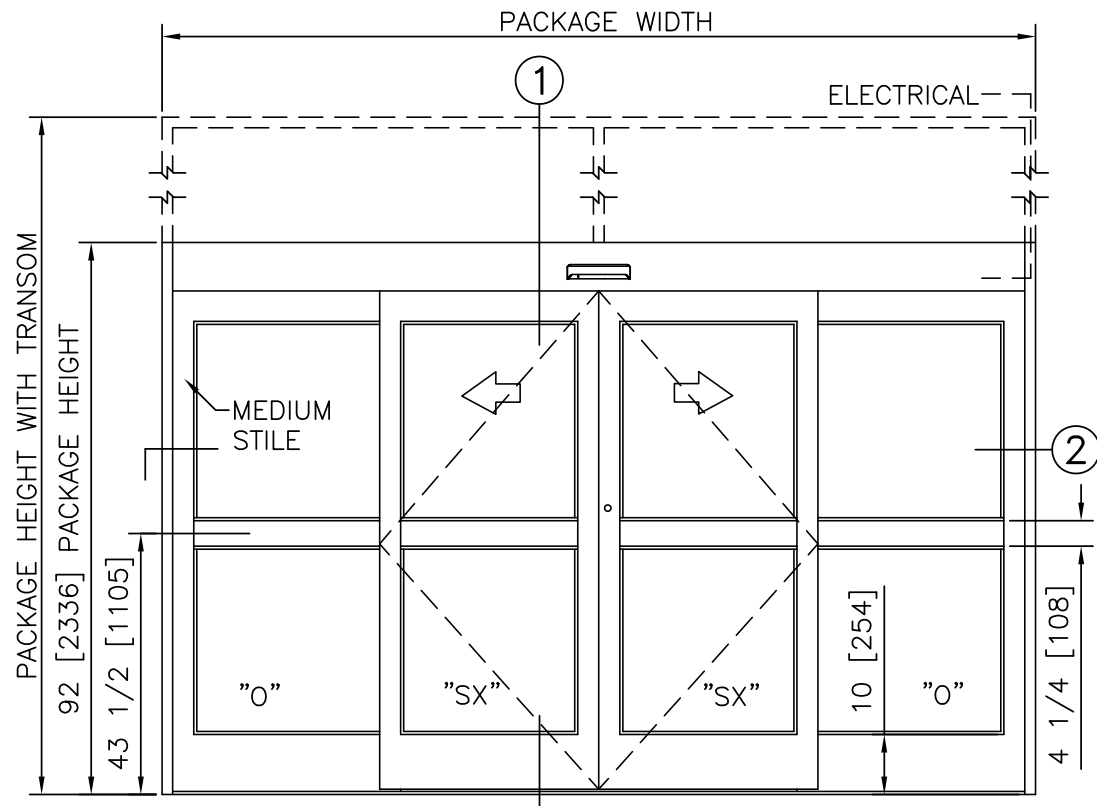
PROJECT NAME:

LOCATION:

DOOR NUMBER(S):

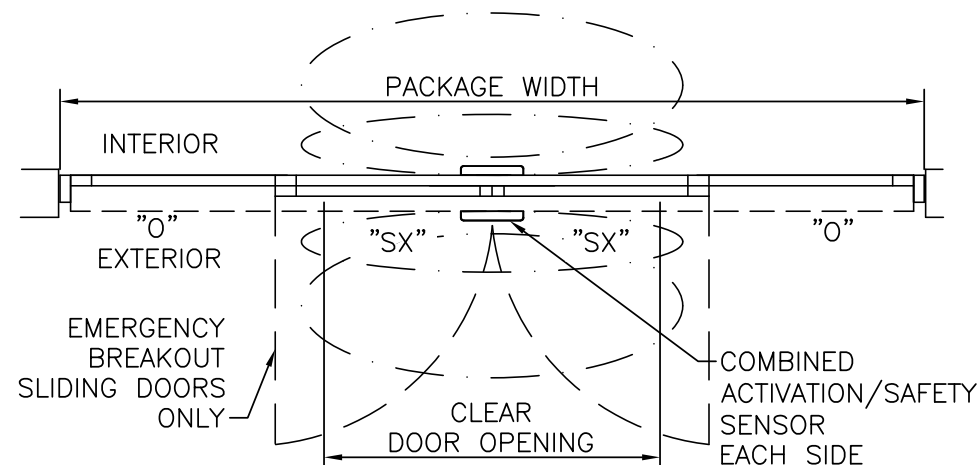
DATE:

SHEET: OF



ELEVATION VIEW

SCALE: 3/8" = 1'-0"

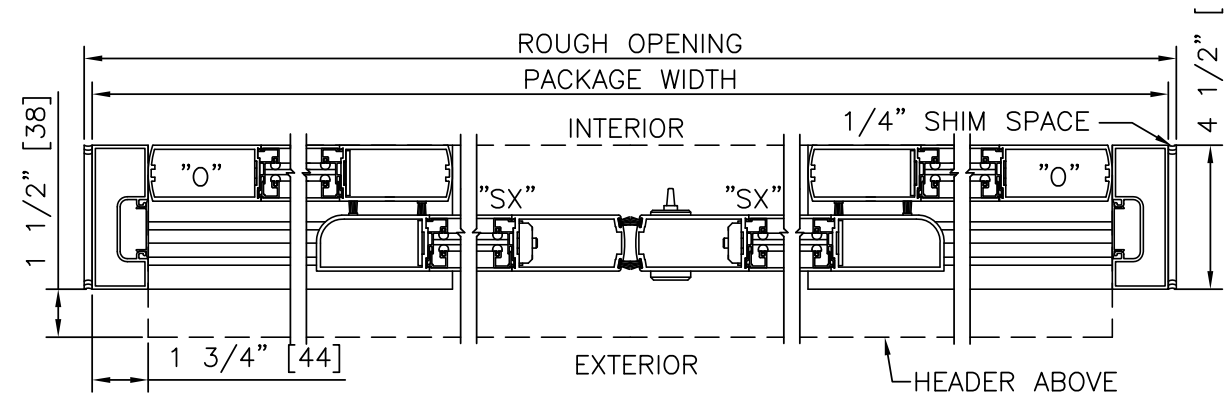


PLAN VIEW

SCALE: 3/8" = 1'-0"

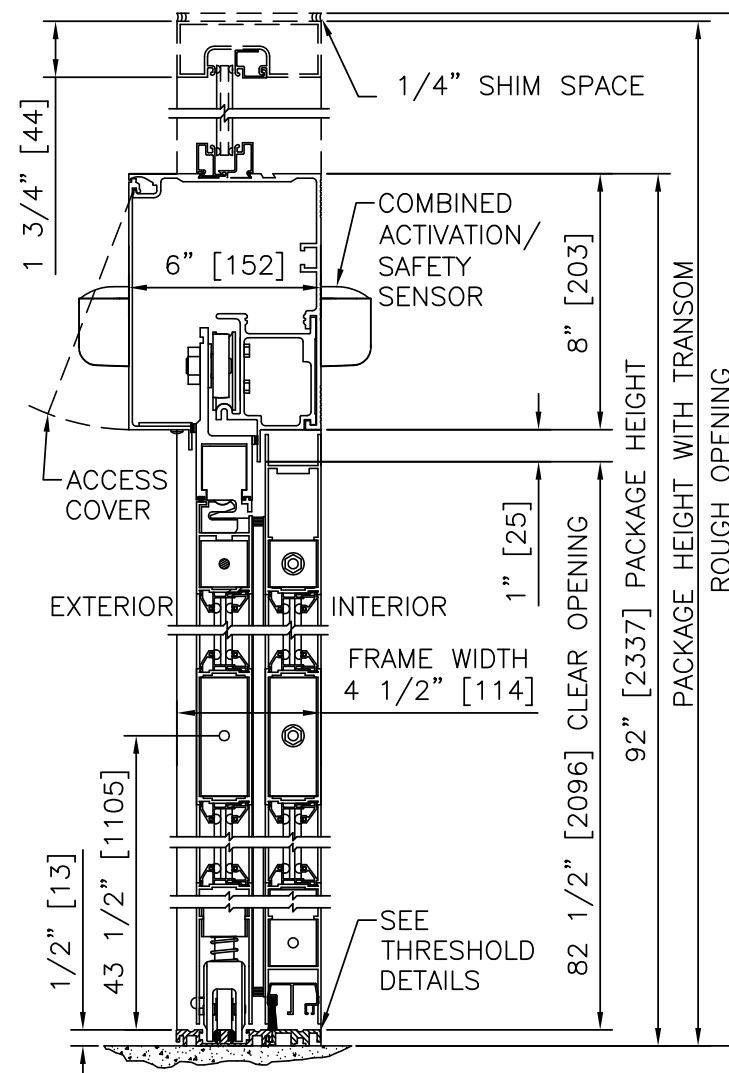
NOTES

- ELECTRICAL REQUIREMENTS: 120 VAC, 5 AMP MIN TO POWER OPERATOR BY ELECTRICAL CONTRACTOR.
- ROUGH OPENING SHALL PROVIDE 1/4"[6] SHIM SPACE ON SIDES AND TOP OF PACKAGE.
- LIMITS OF ACTIVATION AND SAFETY ZONES ARE FOR REFERENCE ONLY; SEE ANSI/BHMA A156.10 FOR DETAILED REQUIREMENTS.
- STANDARD LOCKING IS 2-POINT, 3-POINT AND ACCESS CONTROL SYSTEMS AVAILABLE. SEE SHEET 1.60.
- STANDARD GLAZING STOPS FOR SLIDING AND FIXED PANELS ARE 1/4"[6]; 5/8"[16] AND 1"[25] AVAILABLE.
- STANDARD JAMB TUBES SHOWN; 6"[152] AVAILABLE.
- SEE SPECIFICATIONS FOR ADDITIONAL INFORMATION.



HORIZONTAL SECTION

SCALE: 2" = 1'-0"



VERTICAL SECTION

SCALE: 2" = 1'-0"

PRODUCT OPTIONS

- TRANSOM
 YES (WHERE SCHEDULED)
 VERTICALS 1 2 3
- FINISH
 ANODIZED CLEAR CL2
 ANODIZED DK BRONZE
 CUSTOM
- LOCKING
 2-POINT
 LOCK POSITION INDICATOR
 ACCESS CONTROL (PANIC)
 3-POINT
- STILES
 MEDIUM
- BOTTOM RAILS
 STANDARD 10"
- THRESHOLDS
 SQ/BVL (EXT)
 DBL BVL
 ANGLE/FLAT
 SQ/BVL (INT)
 RECESSED
- ACTIVATION/SAFETY
 2 COMBINED ACTIVATION/SAFETY SENSORS
- OTHER OPTIONS
 ROTARY CTRL SWITCH
 UNINTERRUPTIBLE POWER SUPPLY
 FLY OPEN BOX
 WIND DAMPERS
 PANEL CLOSERS
 ALARM CONTACTS
 DUAL DOOR POSITION SWITCH
 DUAL MOTOR DRIVE
 CRASH BARS
 KICK PLATES/DIAMOND PLATE
 KEYED

BI-PART FORMULAS - MEDIUM STILE
 PACKAGE WIDTH = 2 X CLEAR DOOR OPENING + 32.1"
 CLEAR DOOR OPENING = 1/2 PACKAGE WIDTH - 16.0"
 EMERGENCY BREAKOUT WIDTH = PACKAGE WIDTH - 17.5"
 DOOR PANEL WIDTH = 1/4 PACKAGE WIDTH + 1.1"

TYPICAL PACKAGE DIMENSIONS (MEDIUM STILE)			
PACKAGE WIDTH	NOMINAL CLEAR DOOR OPENING	DOOR PANEL NOMINAL WIDTH	EMERGENCY BREAKOUT NOM. WIDTH
120"	44.0"	31.1"	54.2"
144"	56.0"	37.1"	66.2"
168"	68.0"	43.1"	78.2"

BI-PART WITH OPTIONAL TRANSOM

DURA-GUARD
2000
SERIES

STANLEY
Access Technologies

**DURA-GUARD
2000
SERIES**

BI-PARTING

PROJECT INFORMATION

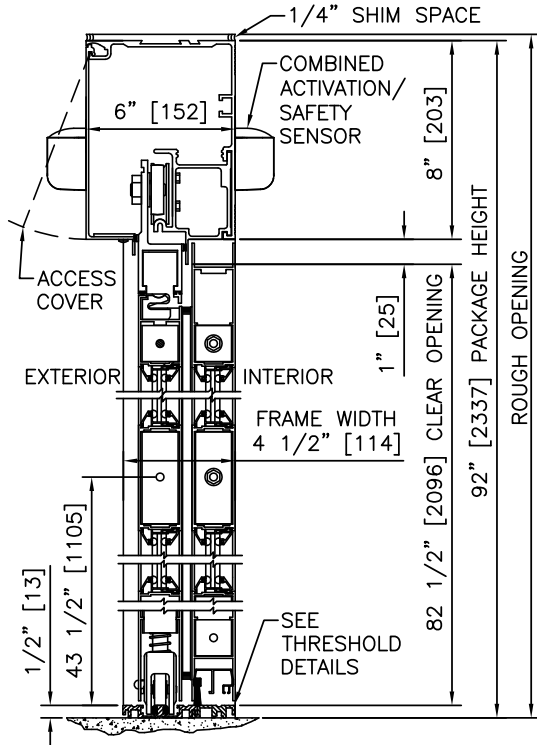
PROJECT NAME:

LOCATION:

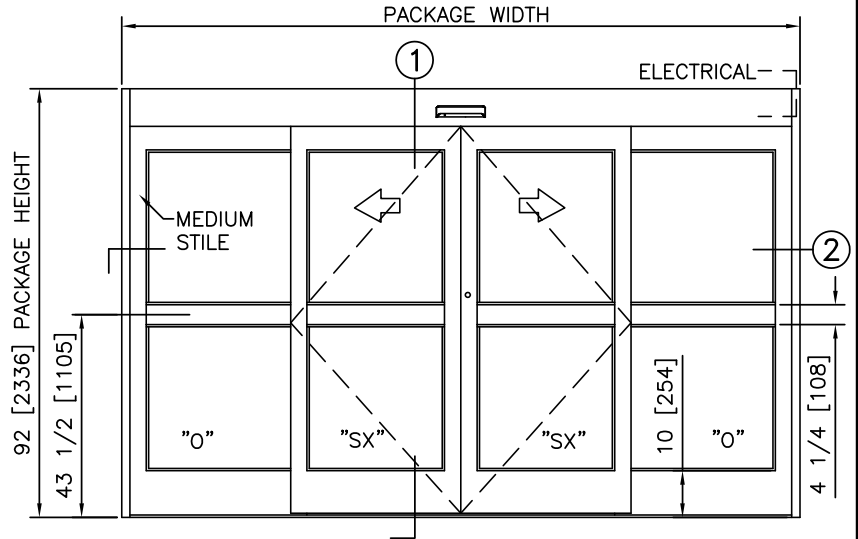
DOOR NUMBER(S):

DATE:

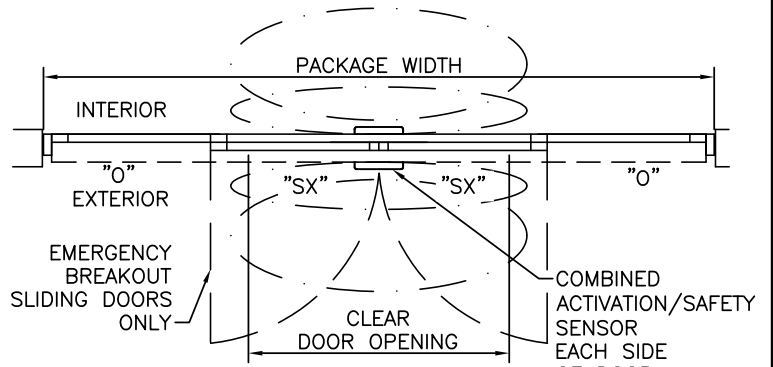
SHEET: OF



1 VERTICAL SECTION



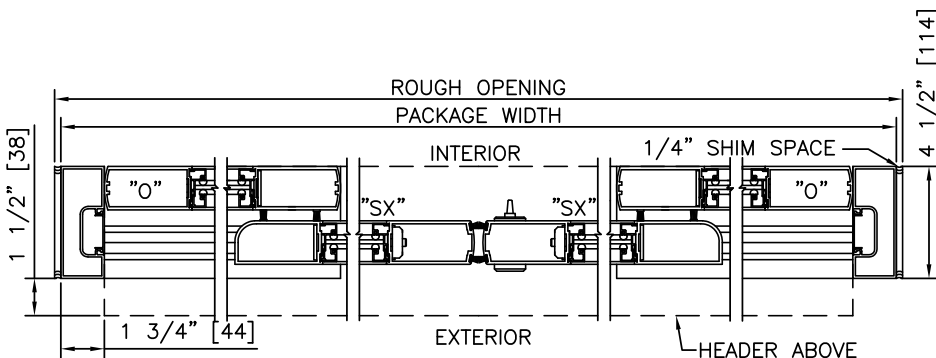
ELEVATION



PLAN

NOTES

1. ELECTRICAL REQUIREMENTS: 120 VAC, 5 AMP MIN TO POWER OPERATOR BY ELECTRICAL CONTRACTOR.
2. ROUGH OPENING SHALL PROVIDE 1/4" [6] SHIM SPACE ON SIDES AND TOP OF PACKAGE.
3. ACTIVATION AND SAFETY ZONES ARE FOR REFERENCE ONLY; SEE ANSI/BHMA A156.10 FOR DETAILED REQUIREMENTS.
4. SEE SPECIFICATIONS FOR ADDITIONAL INFORMATION.



2 HORIZONTAL SECTION

TYPICAL PACKAGE DIMENSIONS (MEDIUM STILE)			
PACKAGE WIDTH	NOMINAL CLEAR DOOR OPENING	DOOR PANEL NOMINAL WIDTH	EMERGENCY BREAKOUT NOM. WIDTH
120"	44.0"	31.1"	54.2"
144"	56.0"	37.1"	66.2"
168"	68.0"	43.1"	78.2"

**DURA-GUARD
2000
SERIES**

BI-PARTING WITH TRANSOM

PROJECT INFORMATION

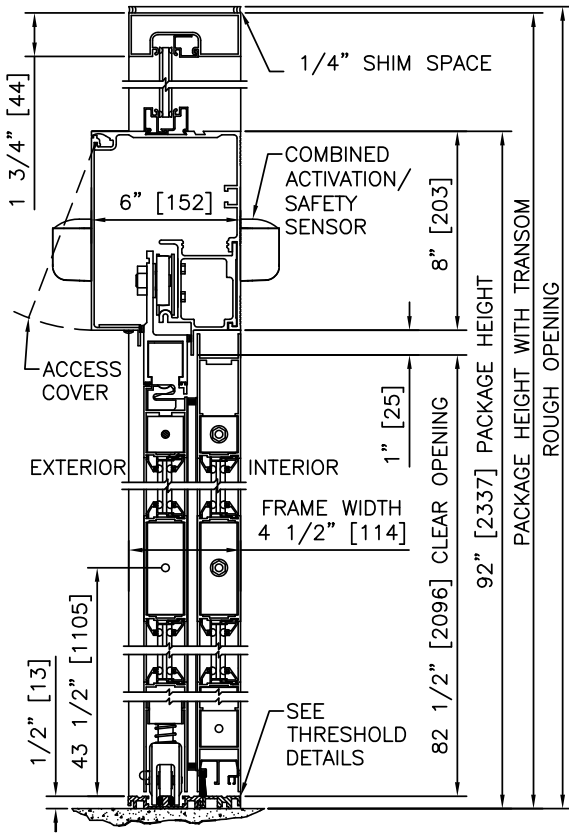
PROJECT NAME:

LOCATION:

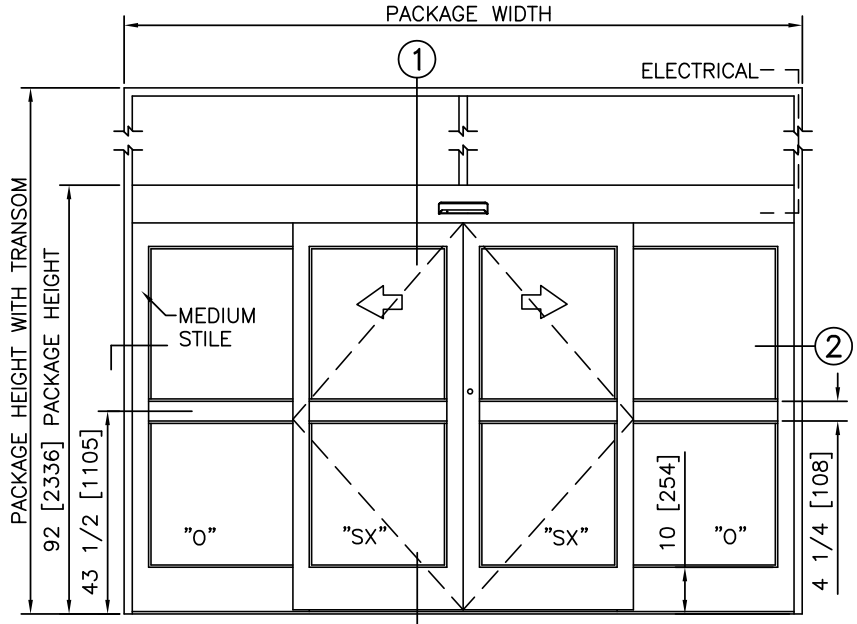
DOOR NUMBER(S):

DATE:

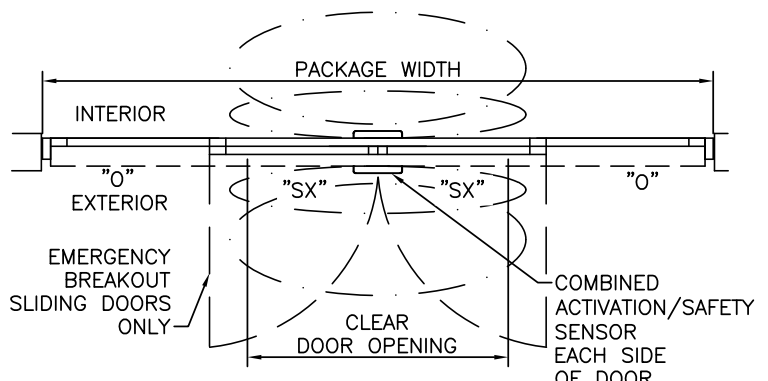
SHEET: OF



1 VERTICAL SECTION



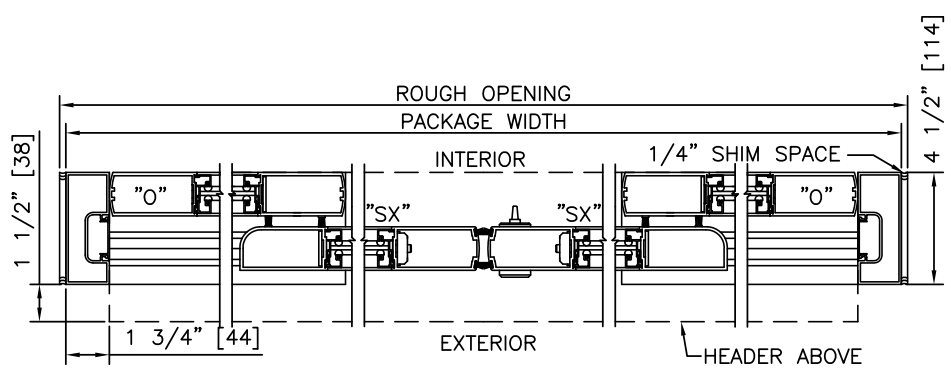
ELEVATION



PLAN

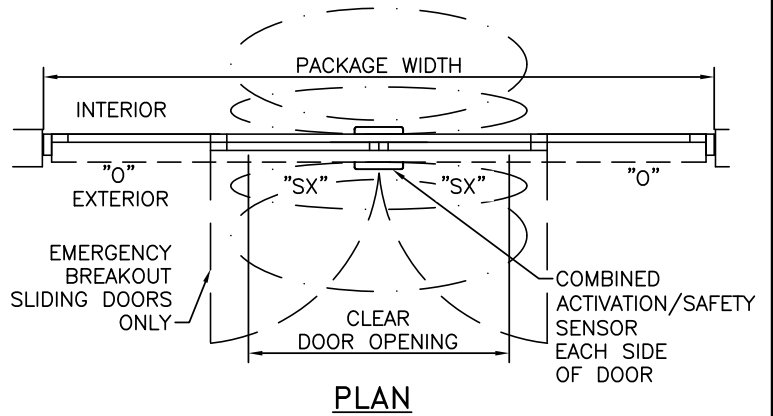
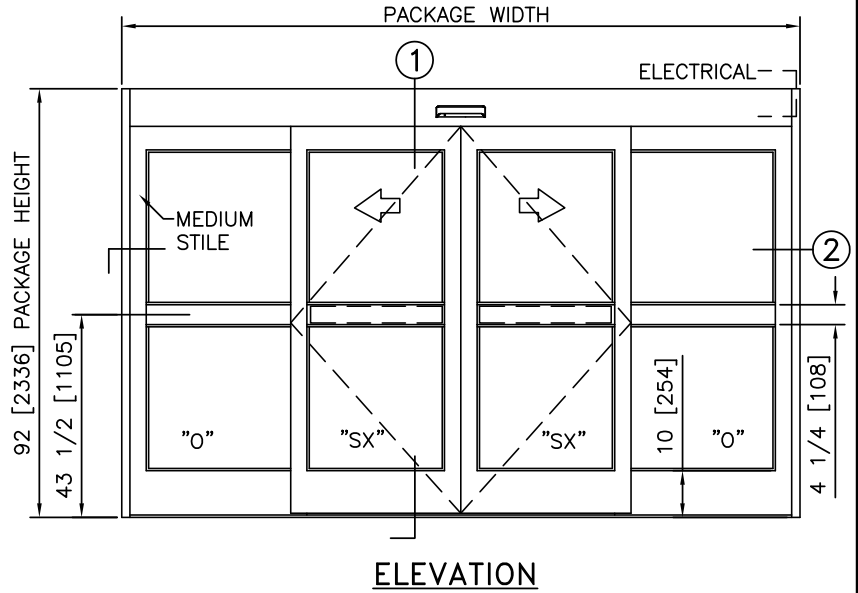
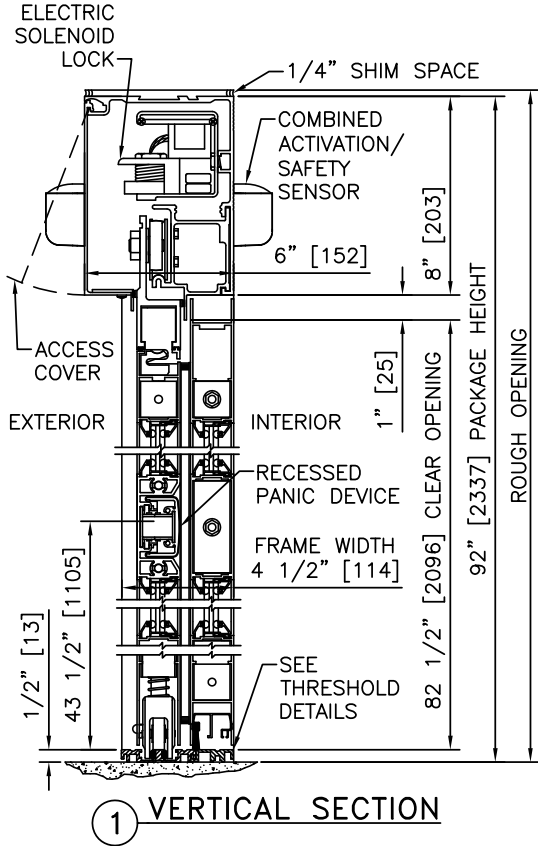
NOTES

1. ELECTRICAL REQUIREMENTS: 120 VAC, 5 AMP MIN TO POWER OPERATOR BY ELECTRICAL CONTRACTOR.
2. ROUGH OPENING SHALL PROVIDE 1/4" [6] SHIM SPACE ON SIDES AND TOP OF PACKAGE.
3. ACTIVATION AND SAFETY ZONES ARE FOR REFERENCE ONLY; SEE ANSI/BHMA A156.10 FOR DETAILED REQUIREMENTS.
4. SEE SPECIFICATIONS FOR ADDITIONAL INFORMATION.



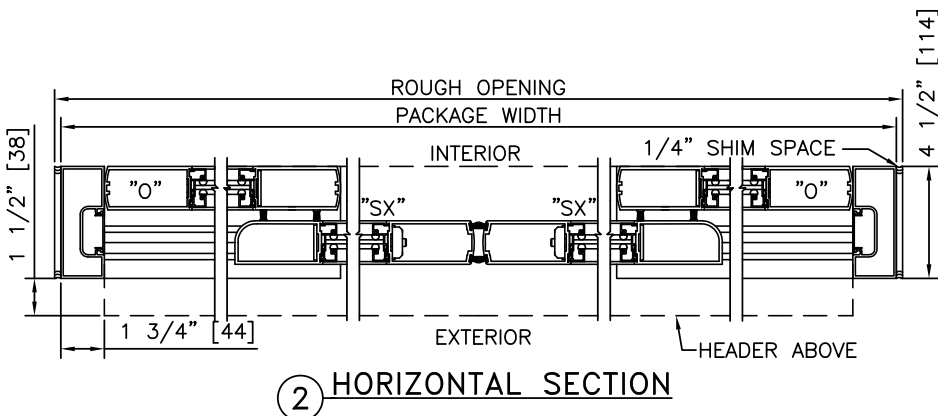
2 HORIZONTAL SECTION

TYPICAL PACKAGE DIMENSIONS (MEDIUM STILE)			
PACKAGE WIDTH	NOMINAL CLEAR DOOR OPENING	DOOR PANEL NOMINAL WIDTH	EMERGENCY BREAKOUT NOM. WIDTH
120"	44.0"	31.1"	54.2"
144"	56.0"	37.1"	66.2"
168"	68.0"	43.1"	78.2"

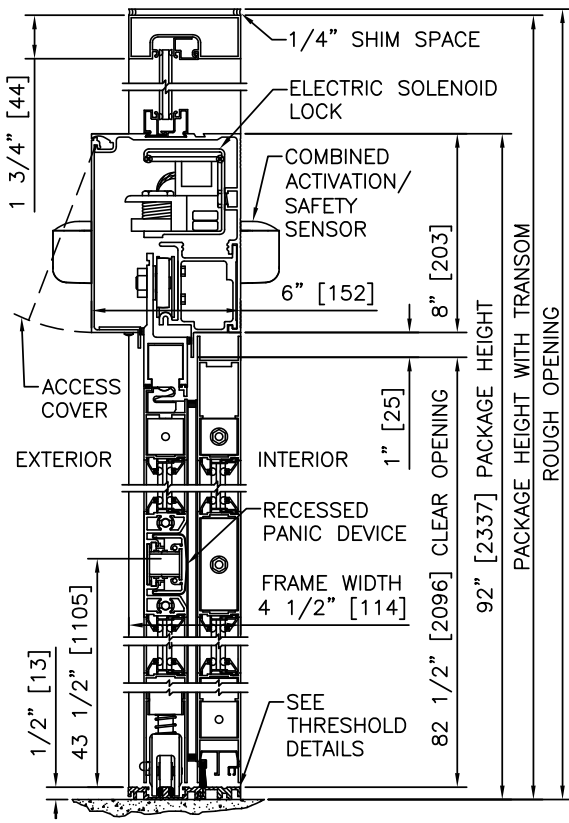


NOTES

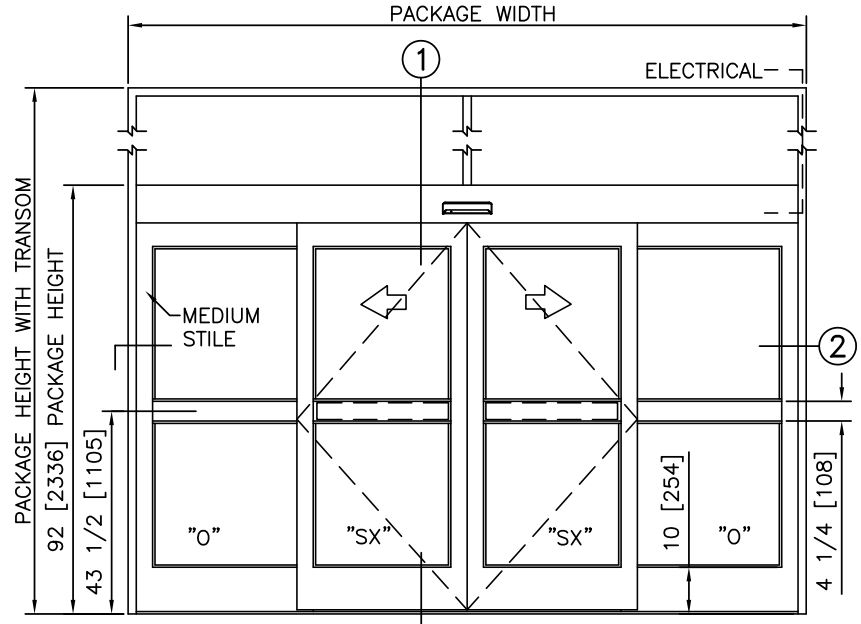
1. ELECTRICAL REQUIREMENTS: BY ELECTRICAL CONTRACTOR
 - 1.1. 120 VAC, 5 AMP MIN TO POWER OPERATOR
 - 1.2. CONTROL CIRCUIT FROM SECURE ACTIVATION TO OPERATOR
2. ROUGH OPENING SHALL PROVIDE 1/4"[6] SHIM SPACE ON SIDES AND TOP OF PACKAGE.
3. LIMITS OF ACTIVATION AND SAFETY ZONES ARE FOR REFERENCE ONLY; SEE ANSI/BHMA A156.10 FOR DETAILED REQUIREMENTS.
4. SEE SPECIFICATIONS FOR ADDITIONAL INFORMATION.



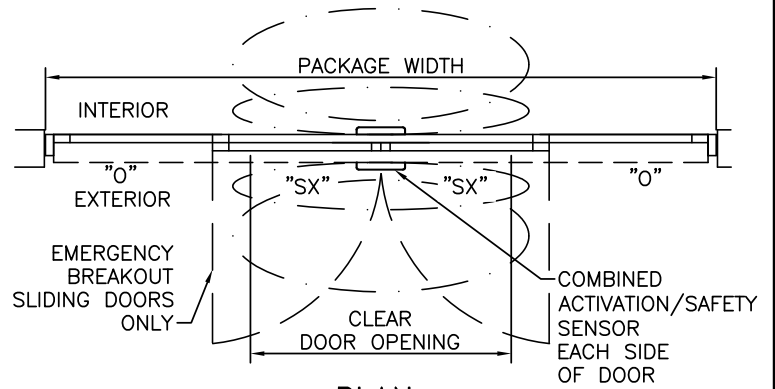
TYPICAL PACKAGE DIMENSIONS (MEDIUM STILE)			
PACKAGE WIDTH	NOMINAL CLEAR DOOR OPENING	DOOR PANEL NOMINAL WIDTH	EMERGENCY BREAKOUT NOM. WIDTH
120"	44.0"	31.1"	54.2"
144"	56.0"	37.1"	66.2"
168"	68.0"	43.1"	78.2"



1 VERTICAL SECTION



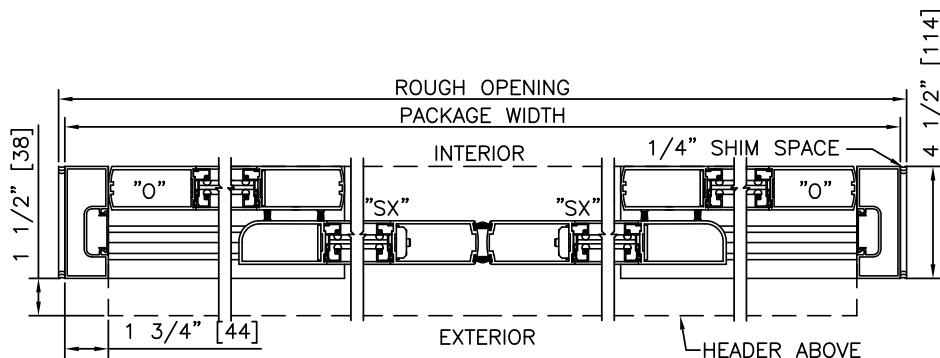
ELEVATION



PLAN

NOTES

1. ELECTRICAL REQUIREMENTS: BY ELECTRICAL CONTRACTOR
 - 1.1. 120 VAC, 5 AMP MIN TO POWER OPERATOR
 - 1.2. CONTROL CIRCUIT FROM SECURE ACTIVATION TO OPERATOR
2. ROUGH OPENING SHALL PROVIDE 1/4"[6] SHIM SPACE ON SIDES AND TOP OF PACKAGE.
3. LIMITS OF ACTIVATION AND SAFETY ZONES ARE FOR REFERENCE ONLY; SEE ANSI/BHMA A156.10 FOR DETAILED REQUIREMENTS.
4. SEE SPECIFICATIONS FOR ADDITIONAL INFORMATION.



2 HORIZONTAL SECTION

TYPICAL PACKAGE DIMENSIONS (MEDIUM STILE)			
PACKAGE WIDTH	NOMINAL CLEAR DOOR OPENING	DOOR PANEL NOMINAL WIDTH	EMERGENCY BREAKOUT NOM. WIDTH
120"	44.0"	31.1"	54.2"
144"	56.0"	37.1"	66.2"
168"	68.0"	43.1"	78.2"