



SLIDING AUTOMATIC DRIVE SYSTEMS: DURA-GLIDE™ ALL GLASS, SINGLE SLIDE

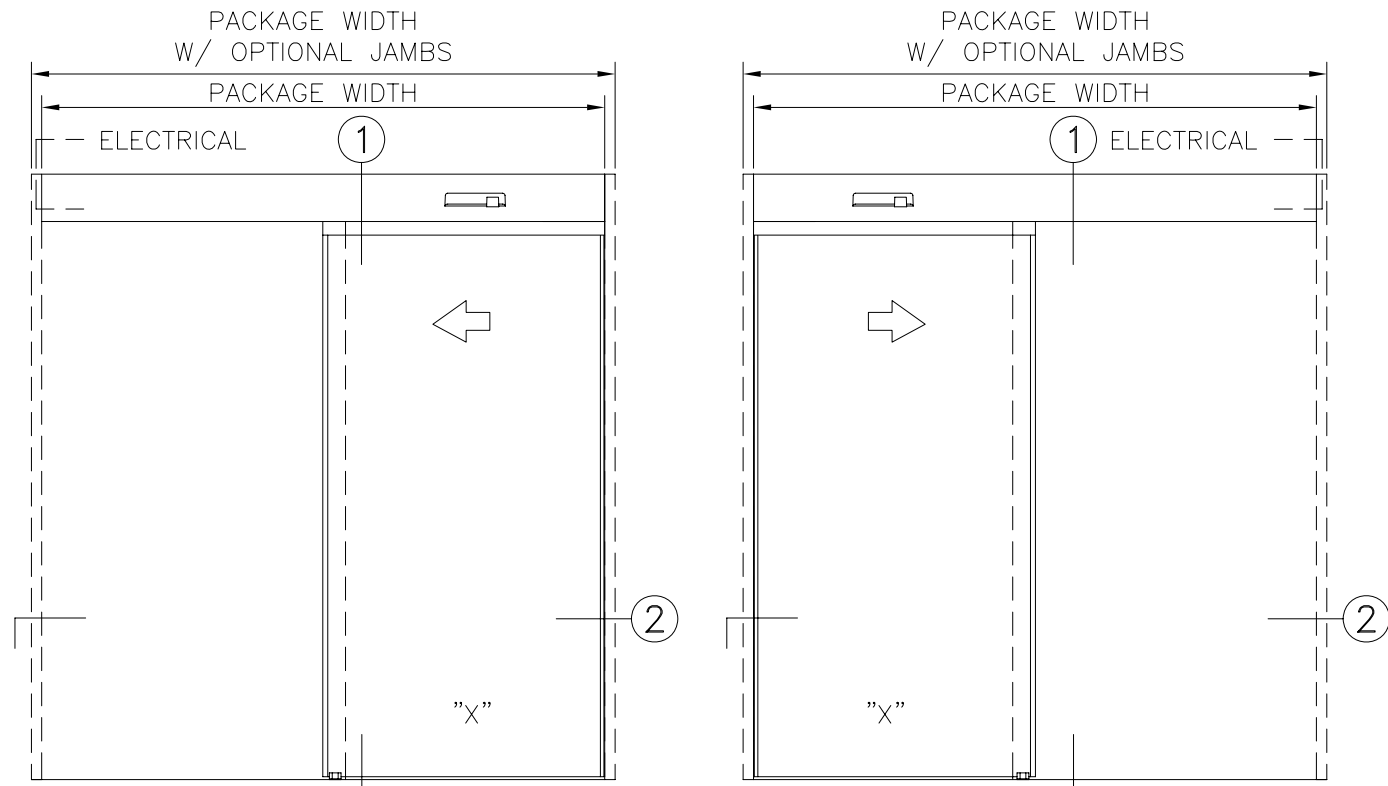
1.15 - SINGLE SLIDE WITH NO BREAKOUT

- 1.15.01 - SINGLE SLIDE RIGHT HAND, NO BREAKOUT
- 1.15.02 - SINGLE SLIDE LEFT HAND, NO BREAKOUT
- 1.15.03 - SINGLE SLIDE RIGHT HAND WITH AUTOMATIC LOCKING, NO BREAKOUT
- 1.15.04 - SINGLE SLIDE LEFT HAND WITH AUTOMATIC LOCKING, NO BREAKOUT

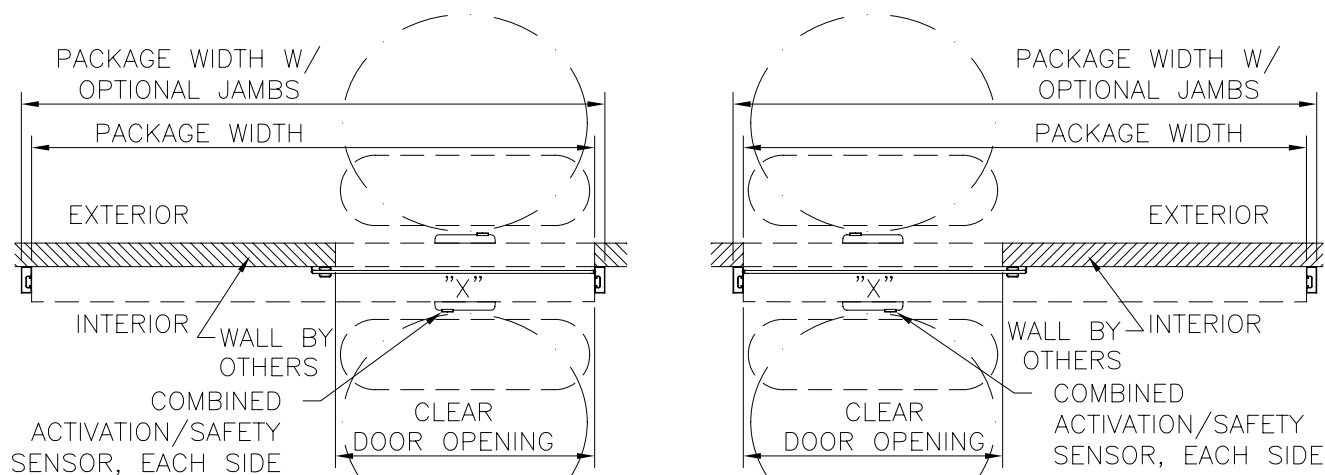


DURA-GLIDE INTERNATIONAL ALL GLASS

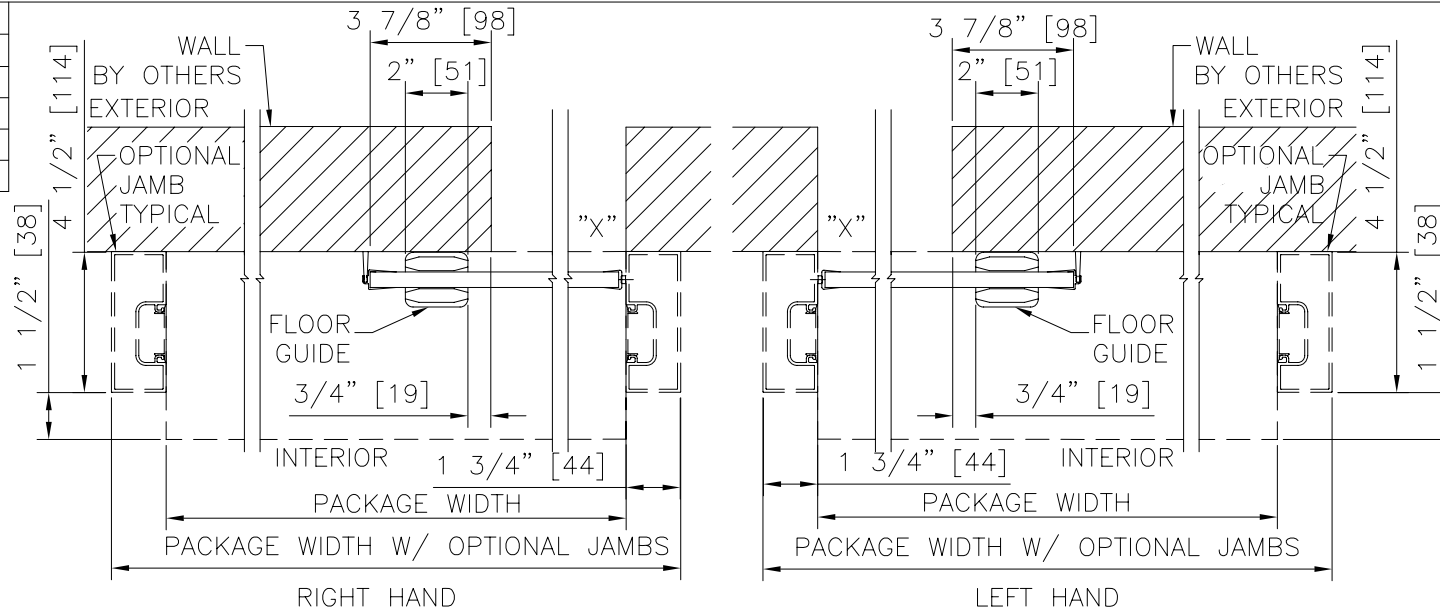
| SINGLE SLIDE ALL GLASS | |
|------------------------|-----------|
| PROJECT INFORMATION | |
| PROJECT NAME: | |
| LOCATION: | |
| DOOR NUMBER(S): | |
| DATE: | SHEET: OF |



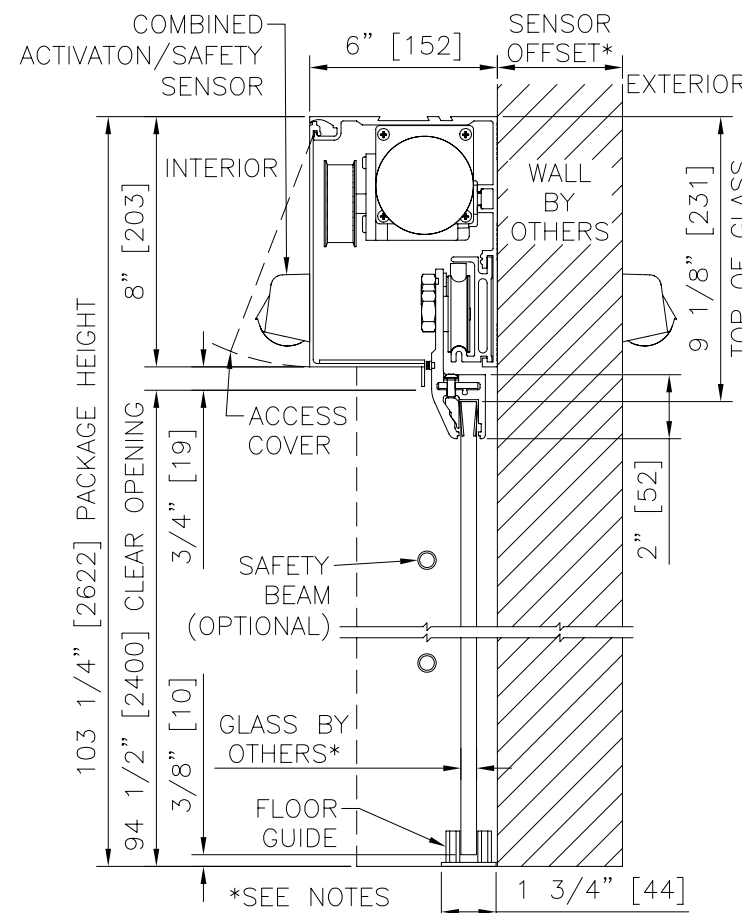
ELEVATION VIEW
VIEWED FROM INTERIOR
SCALE: 3/8" = 1'-0"



PLAN VIEW
SCALE: 3/8" = 1'-0"



② HORIZONTAL SECTION
SCALE: 2" = 1'-0"



① VERTICAL SECTION
SCALE: 2" = 1'-0"

- PRODUCT OPTIONS**
- FINISH**
- ANODIZED CLEAR CL2
 - ANODIZED DK BRONZE
- LOCKING**
- NONE
 - SOLENOID LOCK SECURE (AUTOMATIC)
 - SOLENOID LOCK SAFE (AUTOMATIC)
- GLASS**
- 12 mm [0.47"]
 - 10 mm [0.39"]
 - 1/2" [12.7]
 - 3/8" [9.5]
- JAMBS**
- NONE (STD)
 - 4 1/2" [114]
 - 6" [152]
- ACTIVATION/SAFETY**
- NONE
 - 2 WIZARD
 - 2 WIZARD + 2 BEAMS
- POWER SUPPLY**
- 120 VAC, 5 AMP
 - 240 VAC, 2.5 AMP
- OTHER OPTIONS**
- ROCKER CONTROL SWITCH
 - ROTARY CONTROL SWITCH
 - UNINTERRUPTIBLE POWER SUPPLY
 - FLY OPEN BOX

SINGLE SLIDE FORMULAS (WITHOUT OPTIONAL JAMBS)
 PACKAGE WIDTH = 2 X CLEAR DOOR OPENING + 7.63"[194]
 CLEAR DOOR OPENING = 1/2 PACKAGE WIDTH - 3.81"[97]
 DOOR PANEL WIDTH = 1/2 PACKAGE WIDTH + 0.063"[1.6]

WITH JAMBS ADD 3.50"[89] TO PACKAGE WIDTH.

| TYPICAL PACKAGE DIMENSIONS (WITHOUT OPTIONAL JAMBS) | | |
|---|----------------------------|--------------------------|
| PACKAGE WIDTH | NOMINAL CLEAR DOOR OPENING | DOOR PANEL NOMINAL WIDTH |
| 84.0"[2134] | 38.2"[970] | 42.1"[1068] |
| 96.0"[2438] | 44.2"[1122] | 48.1"[1221] |
| 108.0"[2743] | 50.2"[1275] | 54.1"[1373] |
| 125.7"[3194] | 59.1"[1500] | 62.9"[1598] |
| 149.4"[3794] | 70.9"[1800] | 74.7"[1898] |

SINGLE SLIDE ALL GLASS

DURA-GLIDE INTERNATIONAL ALL GLASS

- NOTES**
- ELECTRICAL REQUIREMENTS: 120 VAC, 5 AMP, OR 240 VAC 2.5 AMP, MIN TO POWER OPERATOR BY ELECTRICAL CONTRACTOR.
 - STANDARD GLAZING IS 1/2" [12.7]; SEE AVAILABLE OPTIONS UNDER "PRODUCT OPTIONS". COORDINATE WITH ADJ. FLOOR GUIDE.
 - STANDARD INSTALLATION EXCLUDES JAMB TUBES; 4 1/2"[114] AND 6"[152] AVAILABLE.
 - LIMITS OF ACTIVATION AND SAFETY ZONES ARE FOR REFERENCE ONLY; SEE ANSI/BHMA A156.10 FOR DETAILED REQUIREMENTS.
 - MAXIMUM SENSOR OFFSET FOR COMPLIANCE WITH ANSI/BHAM A156.10 IS 10 5/8"[270] AT PACKAGE HEIGHT OF 92"[2337].
 - SEE SPECIFICATIONS FOR ADDITIONAL INFORMATION.

**DURA-GLIDE
INTERNATIONAL
ALL GLASS**

SINGLE SLIDE RIGHT HAND
PROJECT INFORMATION

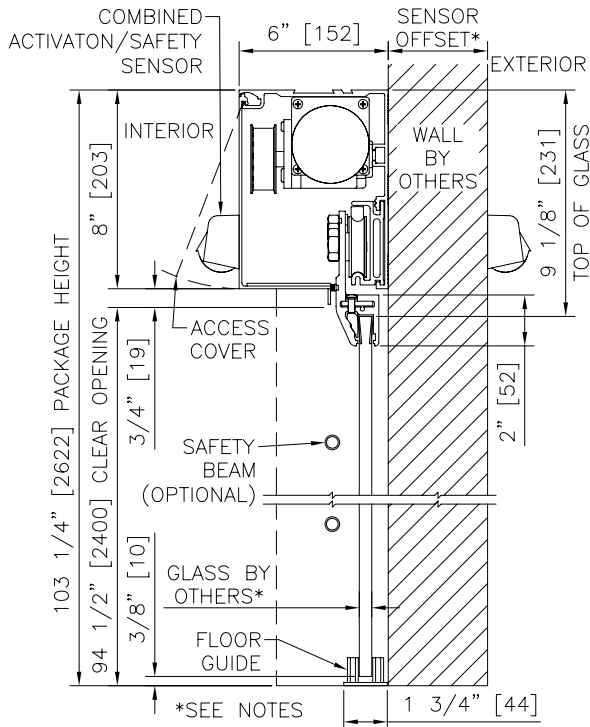
PROJECT NAME:

LOCATION:

DOOR NUMBER(S):

DATE:

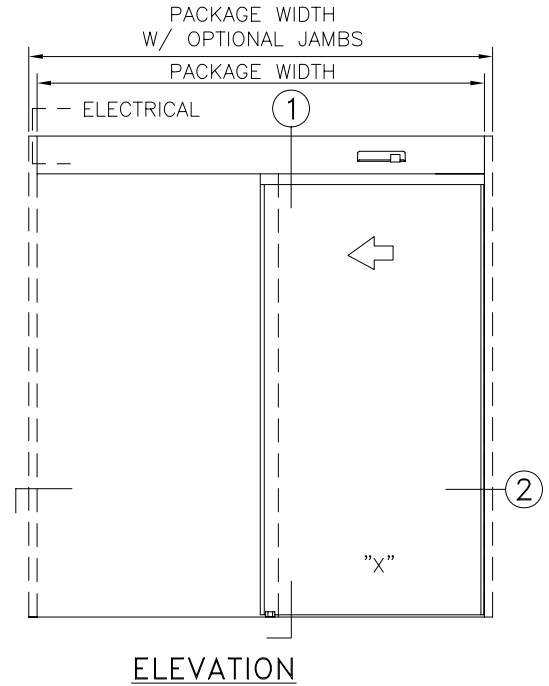
SHEET: OF



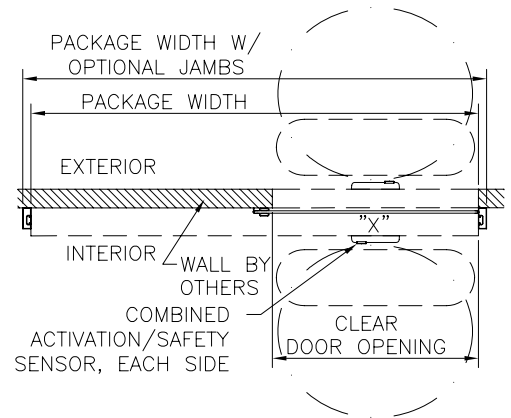
1 VERTICAL SECTION

NOTES

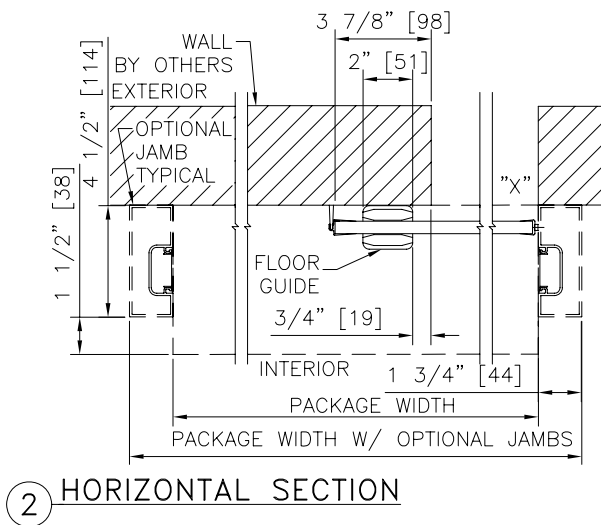
1. ELECTRICAL REQUIREMENTS: 120 VAC, 5 AMP, OR 240 VAC 2.5 AMP, MIN TO POWER OPERATOR BY ELECTRICAL CONTRACTOR.
2. STANDARD GLAZING IS 1/2" [12.7]; SEE AVAILABLE OPTIONS UNDER "PRODUCT OPTIONS". COORDINATE WITH ADJ. FLOOR GUIDE.
3. STANDARD INSTALLATION EXCLUDES JAMB TUBES; 4 1/2" [114] AND 6" [152] AVAILABLE.
4. LIMITS OF ACTIVATION AND SAFETY ZONES ARE FOR REFERENCE ONLY; SEE ANSI/BHMA A156.10 FOR DETAILED REQUIREMENTS.
5. SEE SPECIFICATIONS FOR ADDITIONAL INFORMATION.



ELEVATION



PLAN



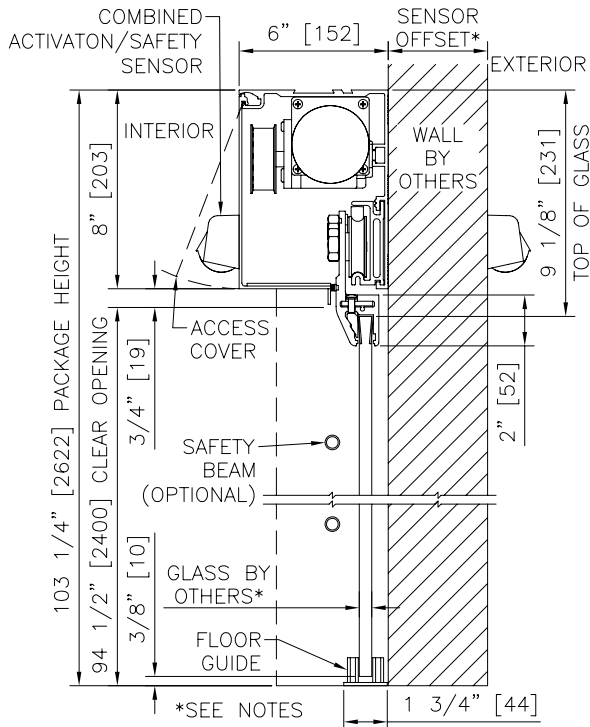
2 HORIZONTAL SECTION

| TYPICAL PACKAGE DIMENSIONS (WITHOUT OPTIONAL JAMBS) | | |
|--|----------------------------|--------------------------|
| PACKAGE WIDTH | NOMINAL CLEAR DOOR OPENING | DOOR PANEL NOMINAL WIDTH |
| 84.0"[2134] | 38.2"[970] | 42.1"[1068] |
| 96.0"[2438] | 44.2"[1122] | 48.1"[1221] |
| 108.0"[2743] | 50.2"[1275] | 54.1"[1373] |
| 125.7"[3194] | 59.1"[1500] | 62.9"[1598] |
| 149.4"[3794] | 70.9"[1800] | 74.7"[1898] |

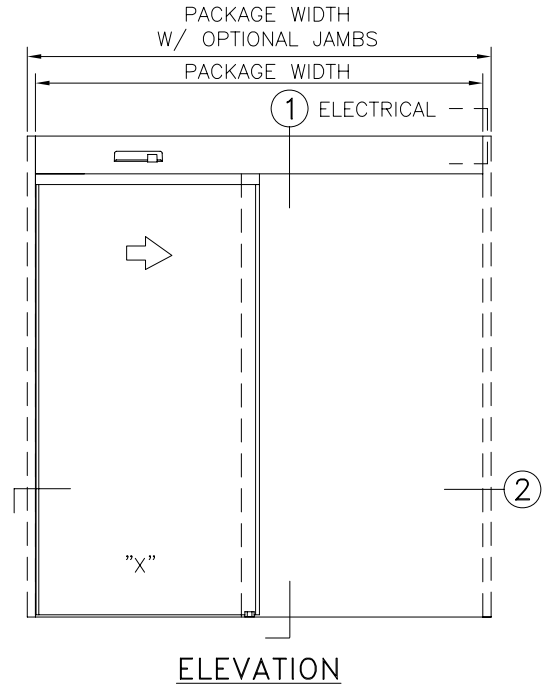
**DURA-GLIDE
INTERNATIONAL
ALL GLASS**

SINGLE SLIDE LEFT HAND
PROJECT INFORMATION

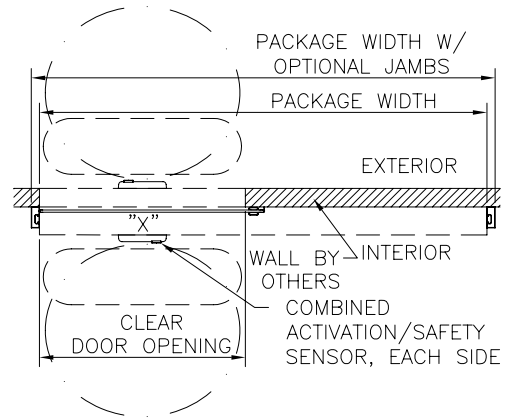
PROJECT NAME:
LOCATION:
DOOR NUMBER(S):
DATE: SHEET: OF



1 VERTICAL SECTION



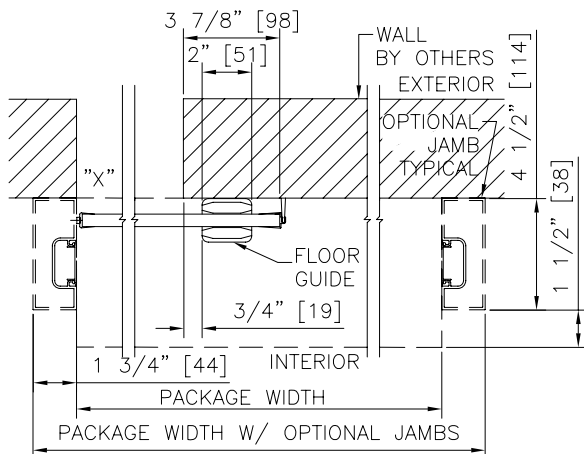
ELEVATION



PLAN

NOTES

1. ELECTRICAL REQUIREMENTS: 120 VAC, 5 AMP, OR 240 VAC 2.5 AMP, MIN TO POWER OPERATOR BY ELECTRICAL CONTRACTOR.
2. STANDARD GLAZING IS 1/2" [12.7]; SEE AVAILABLE OPTIONS UNDER "PRODUCT OPTIONS". COORDINATE WITH ADJ. FLOOR GUIDE.
3. STANDARD INSTALLATION EXCLUDES JAMB TUBES; 4 1/2" [114] AND 6" [152] AVAILABLE.
4. LIMITS OF ACTIVATION AND SAFETY ZONES ARE FOR REFERENCE ONLY; SEE ANSI/BHMA A156.10 FOR DETAILED REQUIREMENTS.
5. SEE SPECIFICATIONS FOR ADDITIONAL INFORMATION.



2 HORIZONTAL SECTION

| TYPICAL PACKAGE DIMENSIONS (WITHOUT OPTIONAL JAMBS) | | |
|--|----------------------------|--------------------------|
| PACKAGE WIDTH | NOMINAL CLEAR DOOR OPENING | DOOR PANEL NOMINAL WIDTH |
| 84.0"[2134] | 38.2"[970] | 42.1"[1068] |
| 96.0"[2438] | 44.2"[1122] | 48.1"[1221] |
| 108.0"[2743] | 50.2"[1275] | 54.1"[1373] |
| 125.7"[3194] | 59.1"[1500] | 62.9"[1598] |
| 149.4"[3794] | 70.9"[1800] | 74.7"[1898] |

**DURA-GLIDE
INTERNATIONAL
ALL GLASS**

SINGLE SLIDE RIGHT HAND WITH AUTOMATIC LOCKING

PROJECT INFORMATION

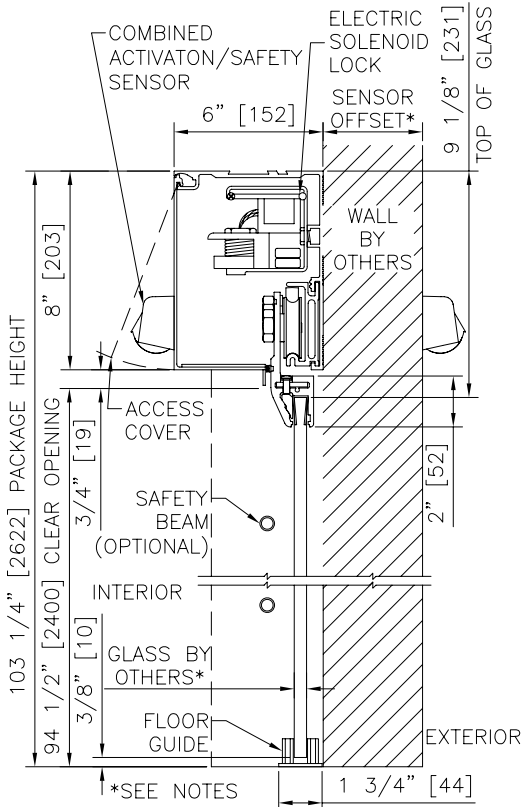
PROJECT NAME:

LOCATION:

DOOR NUMBER(S):

DATE:

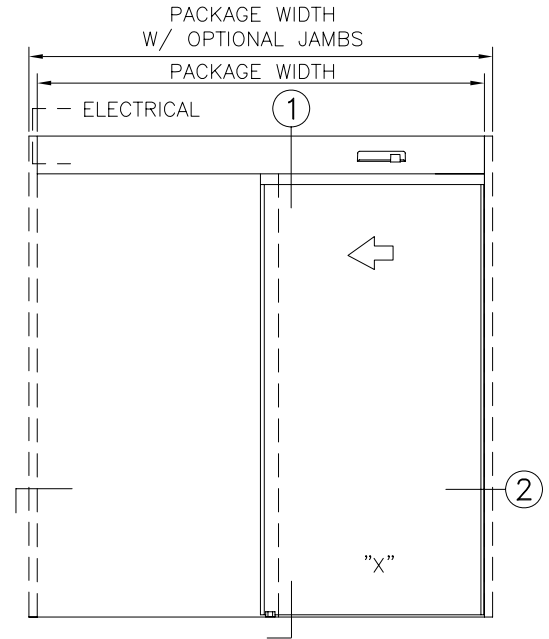
SHEET: OF



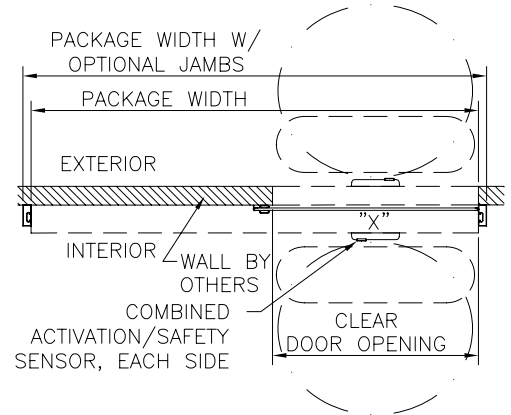
1 VERTICAL SECTION

NOTES

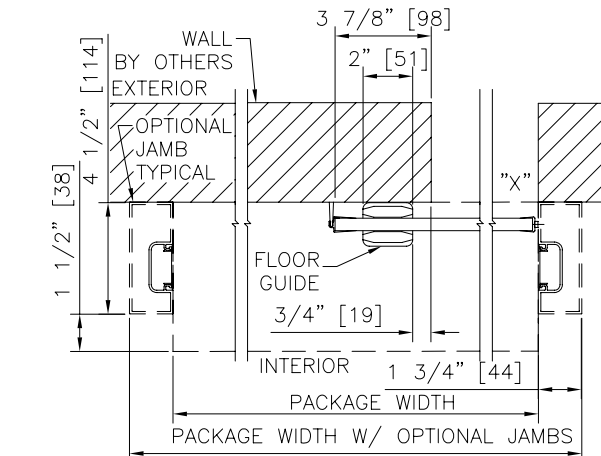
1. ELECTRICAL REQUIREMENTS: 120 VAC, 5 AMP, OR 240 VAC 2.5 AMP, MIN TO POWER OPERATOR BY ELECTRICAL CONTRACTOR.
2. STANDARD GLAZING IS 1/2" [12.7]; SEE AVAILABLE OPTIONS UNDER "PRODUCT OPTIONS". COORDINATE WITH ADJ. FLOOR GUIDE.
3. STANDARD INSTALLATION EXCLUDES JAMB TUBES; 4 1/2" [114] AND 6" [152] AVAILABLE.
4. LIMITS OF ACTIVATION AND SAFETY ZONES ARE FOR REFERENCE ONLY; SEE ANSI/BHMA A156.10 FOR DETAILED REQUIREMENTS.
5. SEE SPECIFICATIONS FOR ADDITIONAL INFORMATION.



ELEVATION



PLAN



2 HORIZONTAL SECTION

| TYPICAL PACKAGE DIMENSIONS (WITHOUT OPTIONAL JAMBS) | | |
|--|----------------------------|--------------------------|
| PACKAGE WIDTH | NOMINAL CLEAR DOOR OPENING | DOOR PANEL NOMINAL WIDTH |
| 84.0"[2134] | 38.2"[970] | 42.1"[1068] |
| 96.0"[2438] | 44.2"[1122] | 48.1"[1221] |
| 108.0"[2743] | 50.2"[1275] | 54.1"[1373] |
| 125.7"[3194] | 59.1"[1500] | 62.9"[1598] |
| 149.4"[3794] | 70.9"[1800] | 74.7"[1898] |

**DURA-GLIDE
INTERNATIONAL
ALL GLASS**

SINGLE SLIDE LEFT HAND WITH AUTOMATIC LOCKING

PROJECT INFORMATION

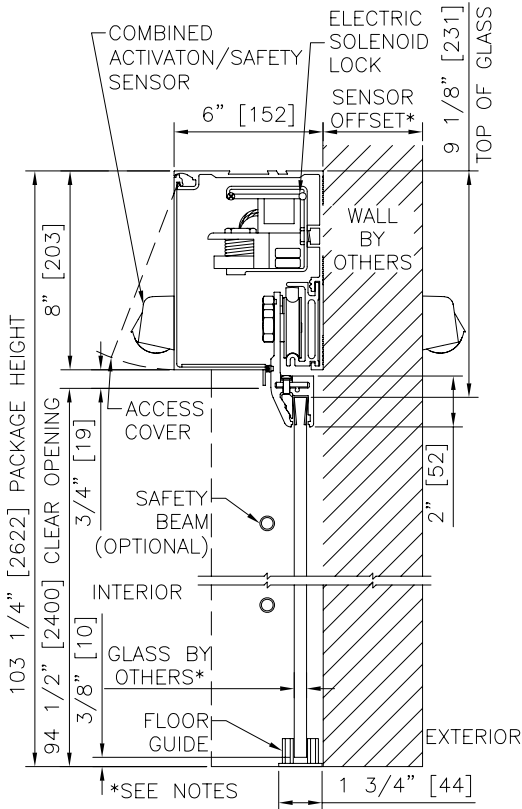
PROJECT NAME:

LOCATION:

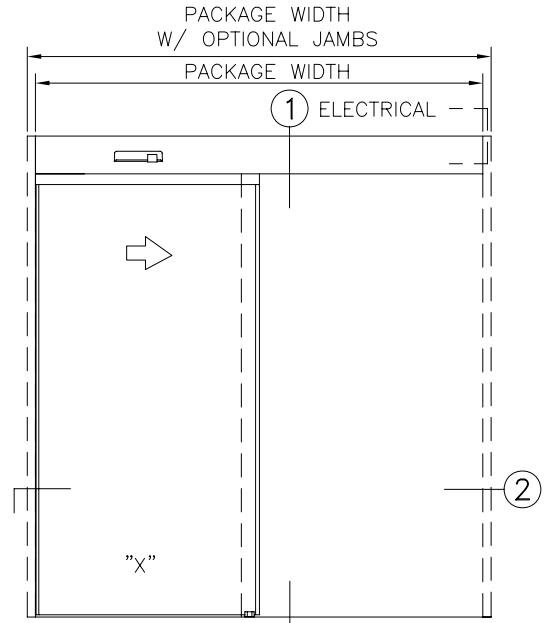
DOOR NUMBER(S):

DATE:

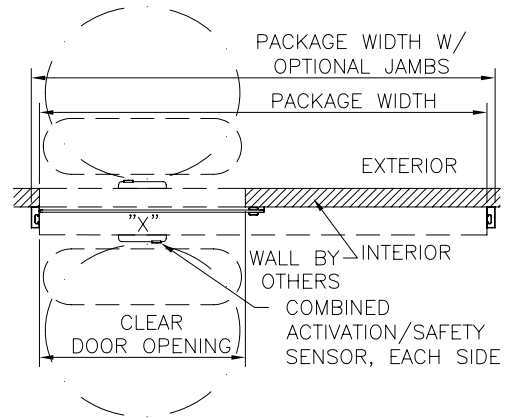
SHEET: OF



1 VERTICAL SECTION



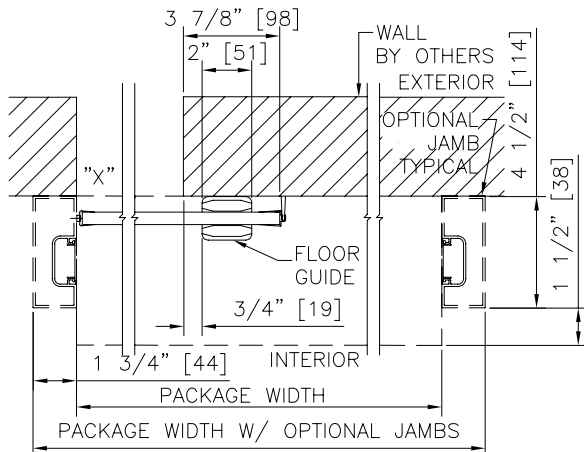
ELEVATION



PLAN

NOTES

1. ELECTRICAL REQUIREMENTS: 120 VAC, 5 AMP, OR 240 VAC 2.5 AMP, MIN TO POWER OPERATOR BY ELECTRICAL CONTRACTOR.
2. STANDARD GLAZING IS 1/2" [12.7]; SEE AVAILABLE OPTIONS UNDER "PRODUCT OPTIONS". COORDINATE WITH ADJ. FLOOR GUIDE.
3. STANDARD INSTALLATION EXCLUDES JAMB TUBES; 4 1/2" [114] AND 6" [152] AVAILABLE.
4. LIMITS OF ACTIVATION AND SAFETY ZONES ARE FOR REFERENCE ONLY; SEE ANSI/BHMA A156.10 FOR DETAILED REQUIREMENTS.
5. SEE SPECIFICATIONS FOR ADDITIONAL INFORMATION.



2 HORIZONTAL SECTION

TYPICAL PACKAGE DIMENSIONS
(WITHOUT OPTIONAL JAMBS)

| PACKAGE WIDTH | NOMINAL CLEAR DOOR OPENING | DOOR PANEL NOMINAL WIDTH |
|---------------|----------------------------|--------------------------|
| 84.0"[2134] | 38.2"[970] | 42.1"[1068] |
| 96.0"[2438] | 44.2"[1122] | 48.1"[1221] |
| 108.0"[2743] | 50.2"[1275] | 54.1"[1373] |
| 125.7"[3194] | 59.1"[1500] | 62.9"[1598] |
| 149.4"[3794] | 70.9"[1800] | 74.7"[1898] |