



## SLIDING AUTOMATIC ENTRANCES: ACCESS CONTROL OPTIONS DURA-STORM™ 2000/3000

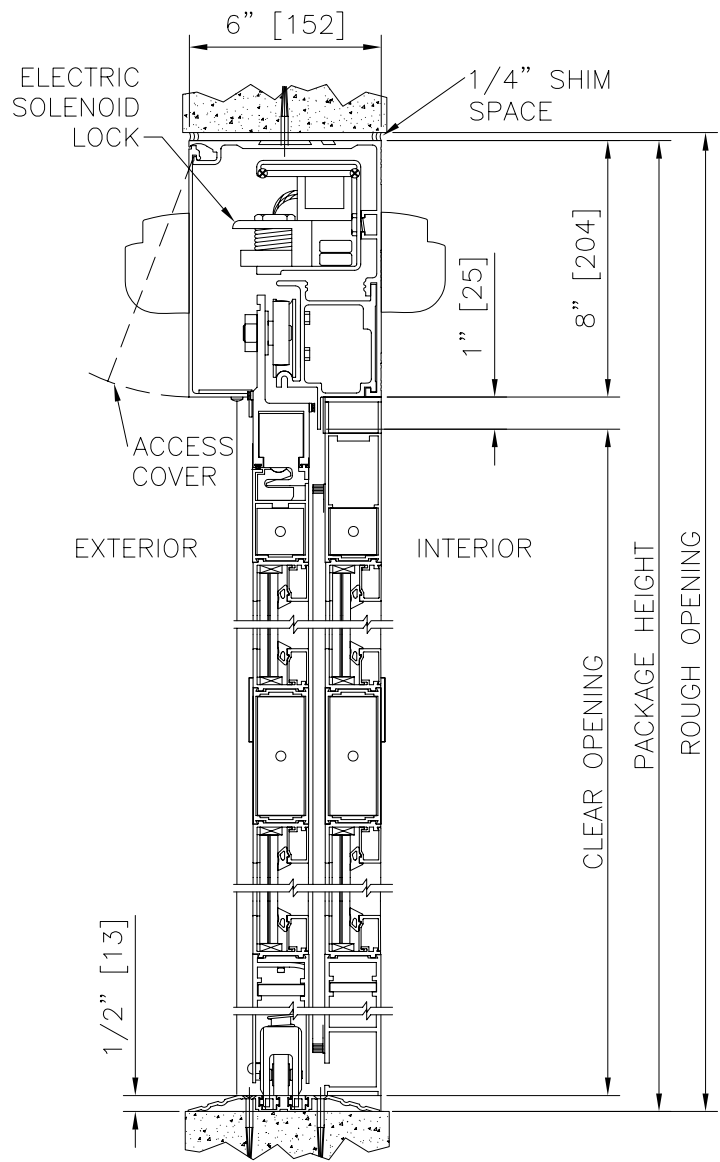
### 2.60 - ACCESS CONTROL OPTIONS

- 2.60.01 - 2000 ACCESS CONTROL OPTIONS
- 2.60.02 - 3000 ACCESS CONTROL OPTIONS



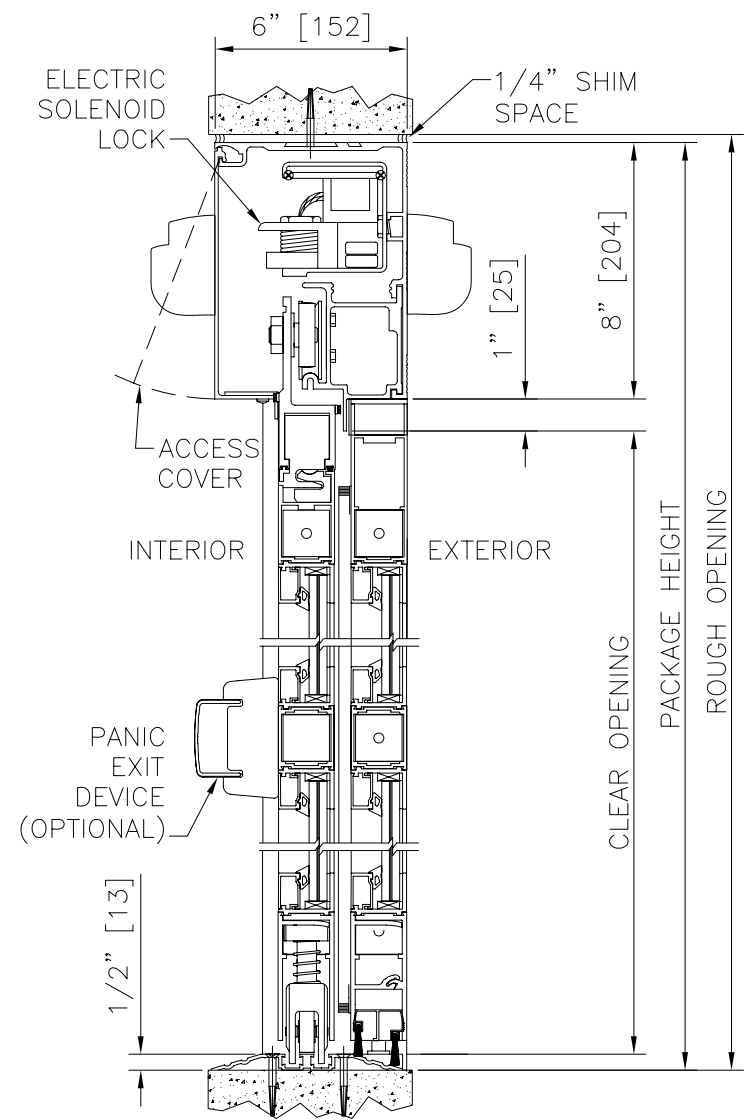
# DURA-STORM 2000/3000 SERIES

LOCKING OPTIONS, IMPACT AND NON-IMPACT	
PROJECT INFORMATION	
PROJECT NAME:	
LOCATION:	
DOOR NUMBER(S):	
DATE:	SHEET: OF



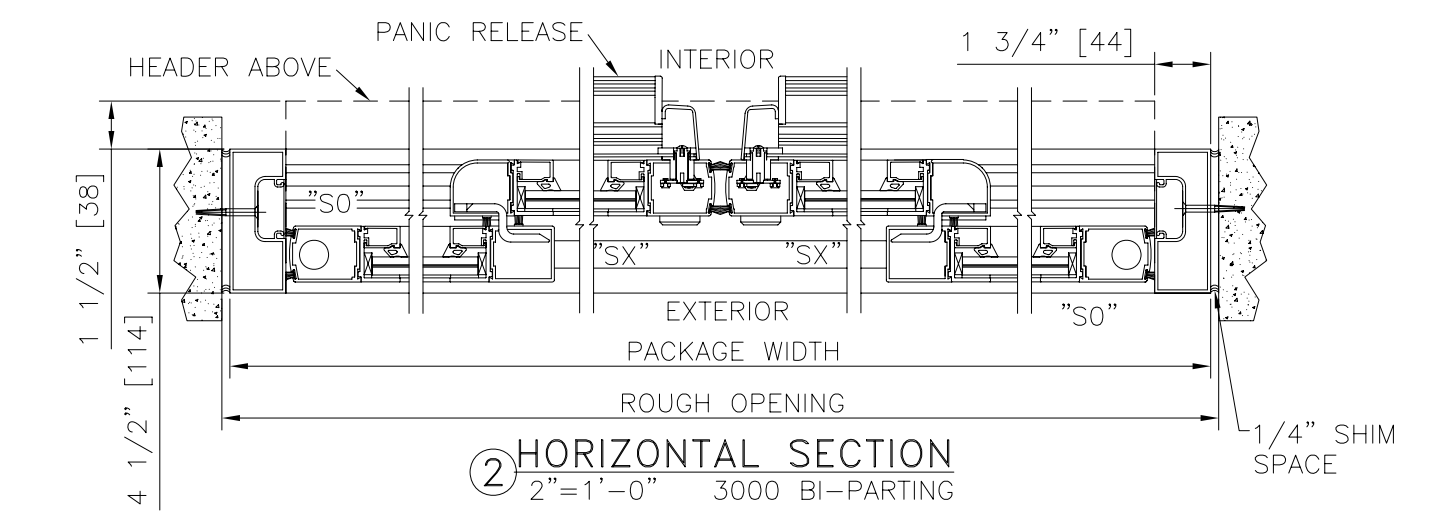
① VERTICAL SECTION  
2"=1'-0" 2000

**DURA-STORM 2000**  
AUTOMATIC LOCKING WITH ELECTRIC SOLENOID LOCK

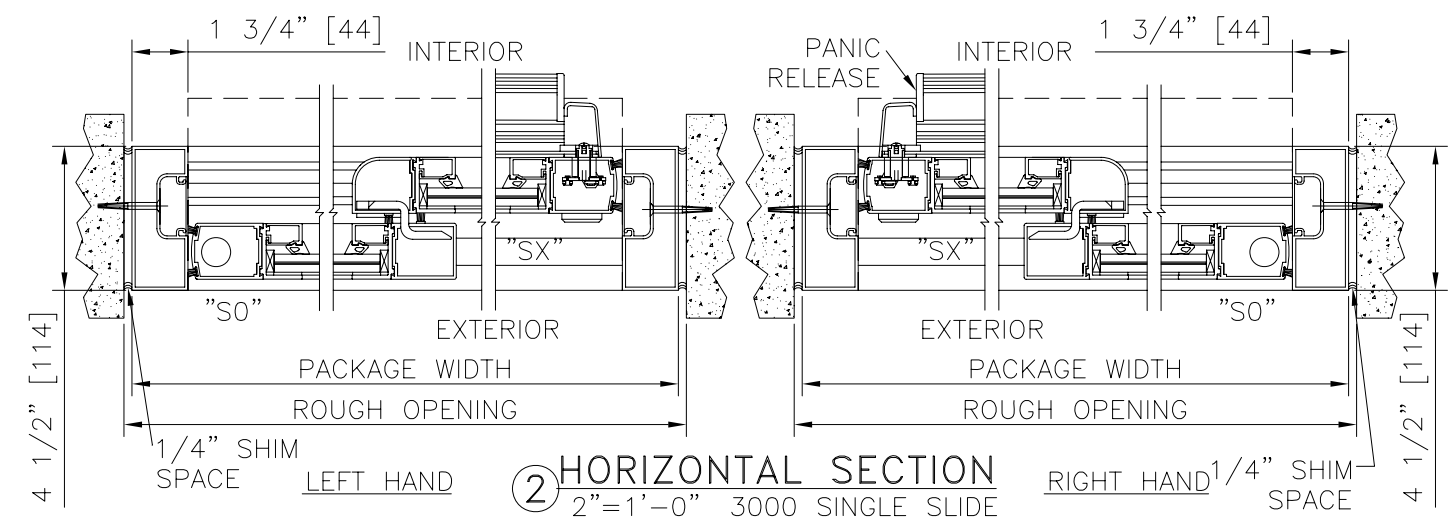


① VERTICAL SECTION  
2"=1'-0" 3000

**DURA-STORM 3000**  
AUTOMATIC LOCKING WITH ELECTRIC SOLENOID LOCK  
(OPTIONAL PANIC EXIT DEVICE SHOWN)



② HORIZONTAL SECTION  
2"=1'-0" 3000 BI-PARTING



② HORIZONTAL SECTION  
2"=1'-0" 3000 SINGLE SLIDE

**DURA-STORM 3000**  
SURFACE PANIC EXIT DEVICE

- NOTES**
- LOCKING OPTIONS INCLUDE:
    - ELECTRIC SOLENOID LOCK, OR "AUTOMATIC LOCKING" SYSTEM, TO PREVENT SLIDING ACTION OF PANELS WHEN LOCKED.
    - PANIC EXIT DEVICE TO ALLOW EMERGENCY EGRESS FROM CLOSED AND LOCKED WITH OR WITHOUT POWER. PANIC EXIT DEVICES ARE DISENGAGED, OR "DOGGED", DURING NORMAL OPERATION.
  - ELECTRIC SOLENOID LOCK MAY BE FAIL SAFE OR FAIL SECURE.
  - SEE SPECIFICATIONS FOR ADDITIONAL INFORMATION.

LOCKING OPTIONS, IMPACT AND NON-IMPACT	
<b>DURA-STORM 2000/3000 SERIES</b>	<b>STANLEY Security ACCESS TECHNOLOGIES</b>

## DURA-STORM 2000 SERIES

2000 ACCESS CONTROL OPTIONS

PROJECT INFORMATION

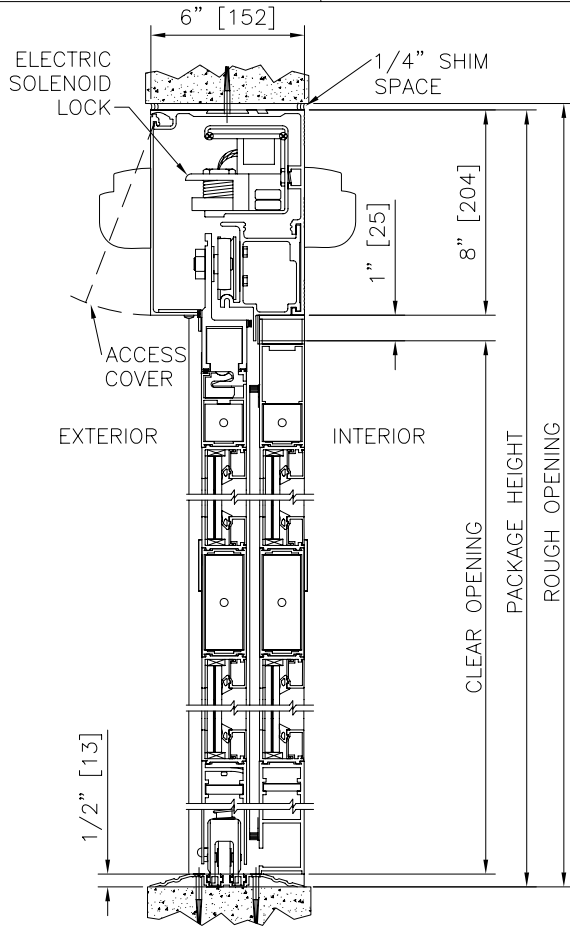
PROJECT NAME:

LOCATION:

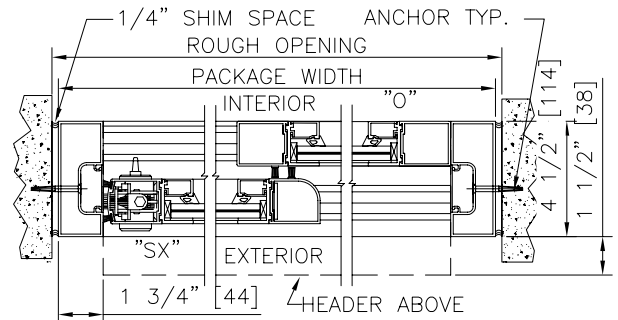
DOOR NUMBER(S):

DATE:

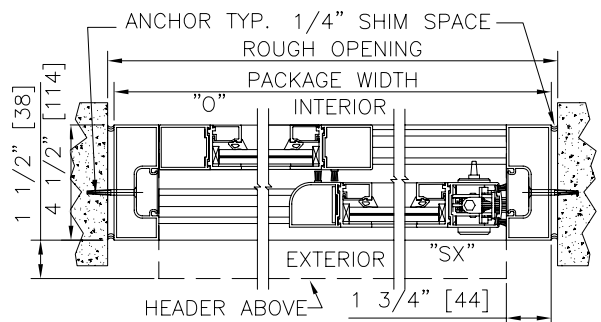
SHEET: OF



① VERTICAL SECTION



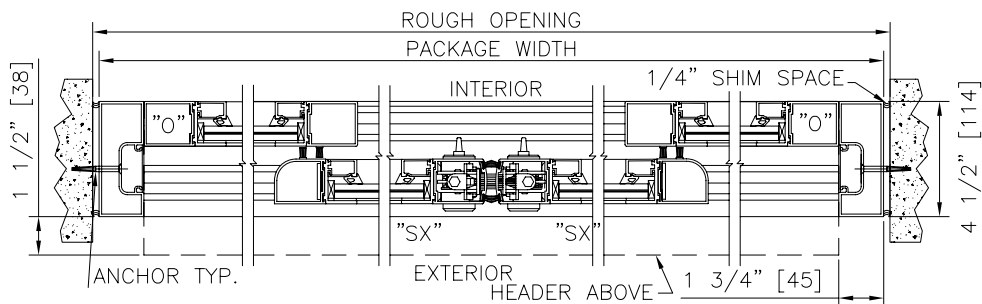
② HORIZONTAL SECTION  
RIGHT HAND



② HORIZONTAL SECTION  
LEFT HAND

**NOTES**

1. LOCKING OPTIONS INCLUDE:
  - ELECTRIC SOLENOID LOCK, OR "AUTOMATIC LOCKING" SYSTEM, TO PREVENT SLIDING ACTION OF PANELS WHEN LOCKED.
  - PANIC EXIT DEVICE TO ALLOW EMERGENCY EGRESS FROM CLOSED AND LOCKED WITH OR WITHOUT POWER. PANIC EXIT DEVICES ARE DISENGAGED, OR "DOGGED", DURING NORMAL OPERATION.
2. ELECTRIC SOLENOID LOCK MAY BE FAIL SAFE OR FAIL SECURE.
3. SEE SPECIFICATIONS FOR ADDITIONAL INFORMATION.



② HORIZONTAL SECTION

## DURA-STORM 3000 SERIES

3000 ACCESS CONTROL OPTIONS

PROJECT INFORMATION

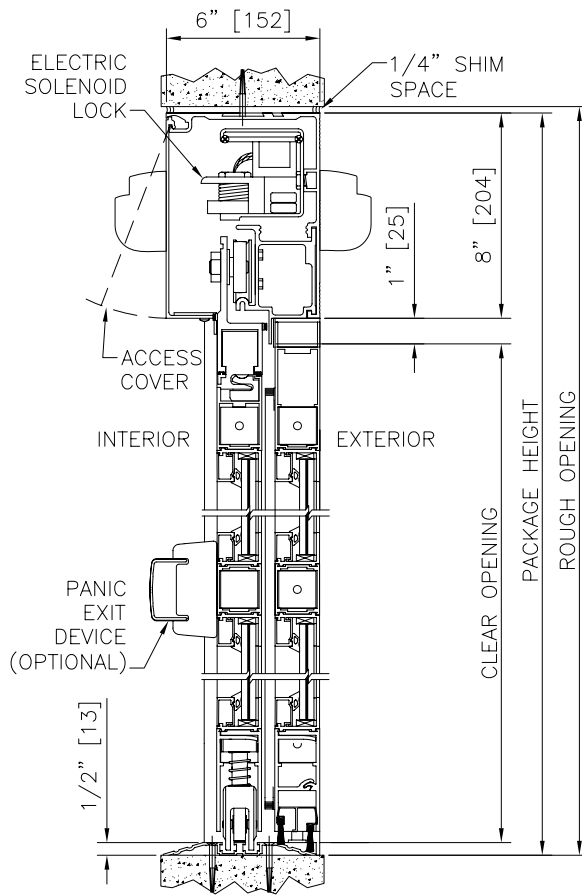
PROJECT NAME:

LOCATION:

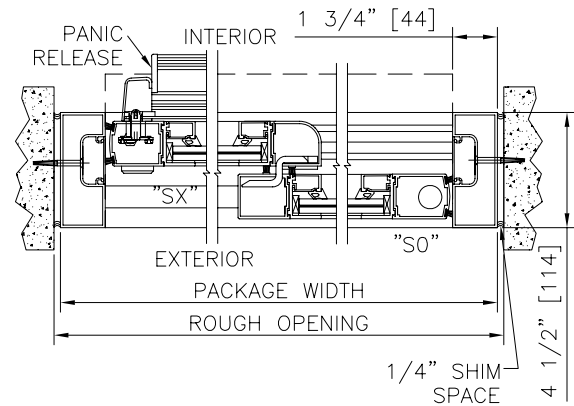
DOOR NUMBER(S):

DATE:

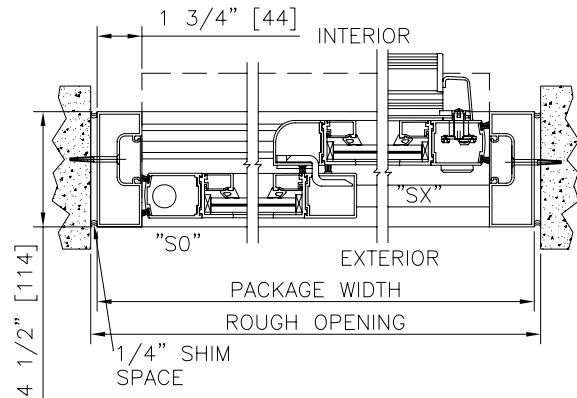
SHEET: OF



① VERTICAL SECTION



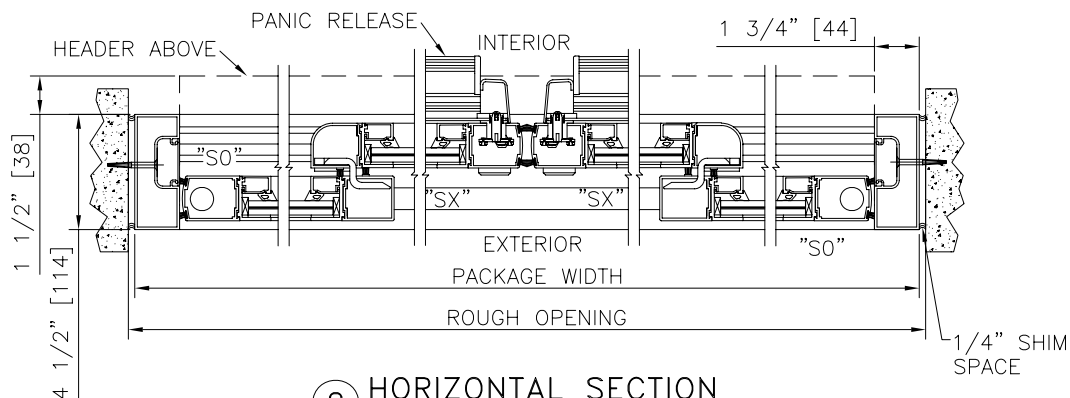
② HORIZONTAL SECTION  
RIGHT HAND



② HORIZONTAL SECTION  
LEFT HAND

**NOTES**

1. LOCKING OPTIONS INCLUDE:
  - ELECTRIC SOLENOID LOCK, OR "AUTOMATIC LOCKING" SYSTEM, TO PREVENT SLIDING ACTION OF PANELS WHEN LOCKED.
  - PANIC EXIT DEVICE TO ALLOW EMERGENCY EGRESS FROM CLOSED AND LOCKED WITH OR WITHOUT POWER. PANIC EXIT DEVICES ARE DISENGAGED, OR "DOGGED", DURING NORMAL OPERATION.
2. ELECTRIC SOLENOID LOCK MAY BE FAIL SAFE OR FAIL SECURE.
3. SEE SPECIFICATIONS FOR ADDITIONAL INFORMATION.



② HORIZONTAL SECTION