

SLIDING AUTOMATIC ENTRANCES: DURA-STORM™ 3000, SINGLE SLIDE

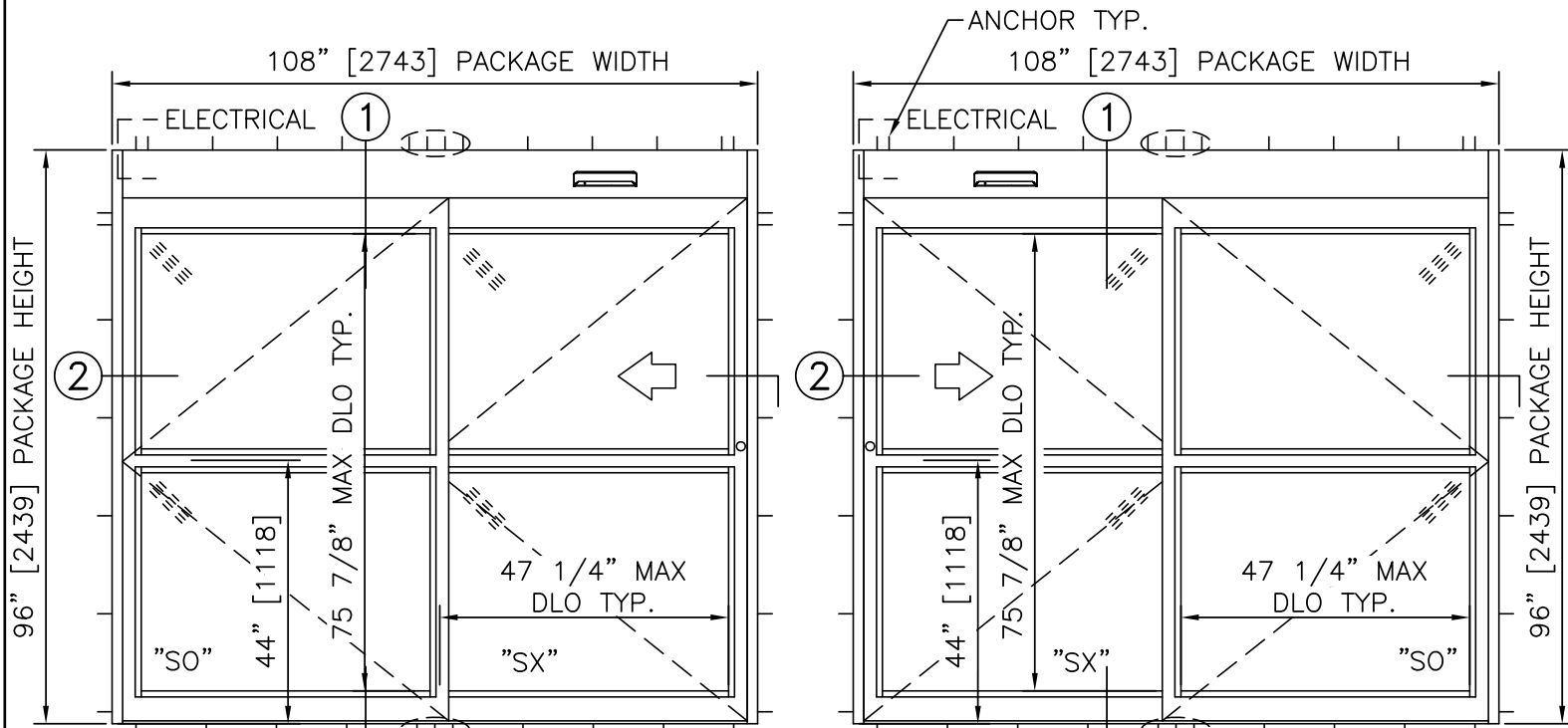
2.04 - SINGLE SLIDE

- **2.04.01 - Single Slide Right Hand**
- **2.04.02 - Single Slide Left Hand**
- **2.04.03 - Single Slide Right Hand with Panic Release**
- **2.04.04 - Single Slide Left Hand with Panic Release**
- **2.04.05 - Single Slide Right Hand with Automatic Locking**
- **2.04.06 - Single Slide Left Hand with Automatic Locking**
- **2.04.07 - Single Slide Right Hand with Panic Release & Automatic Locking**
- **2.04.08 - Single Slide Left Hand with Panic Release & Automatic Locking**

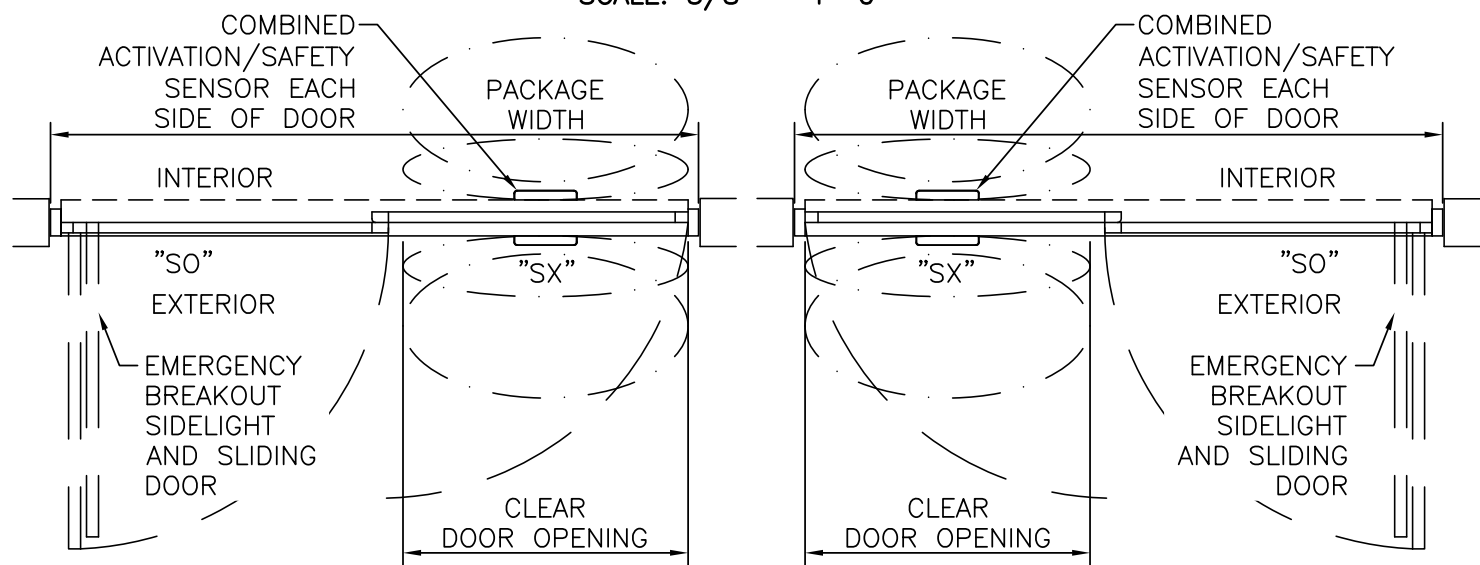
STANLEY
Access Technologies

DURA-STORM
3000
IMPACT
SERIES

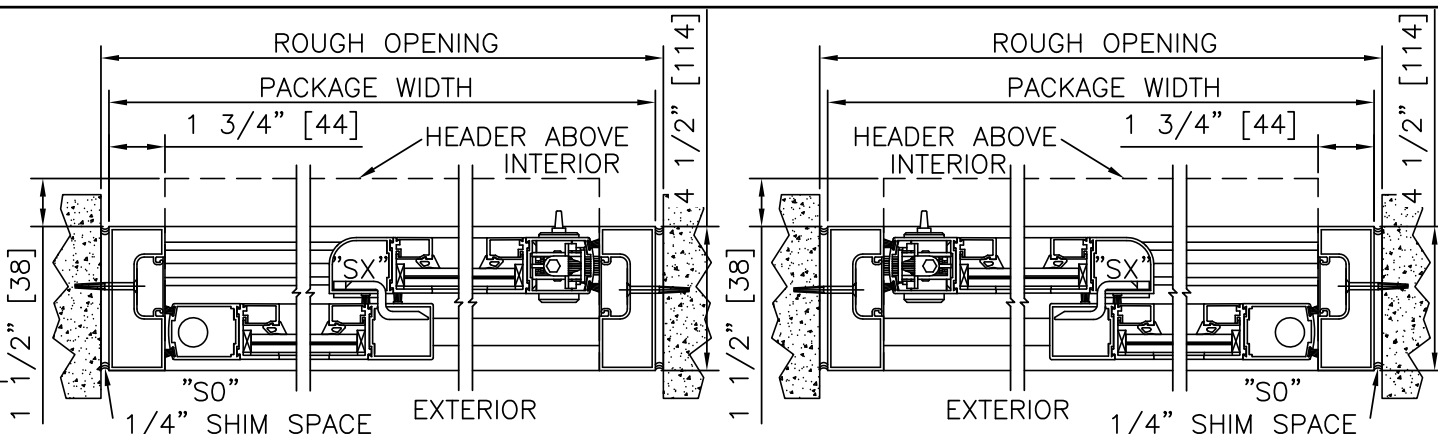
SINGLE SLIDE	
PROJECT INFORMATION	
PROJECT NAME:	
LOCATION:	
DOOR NUMBER(S):	
DATE:	SHEET: OF



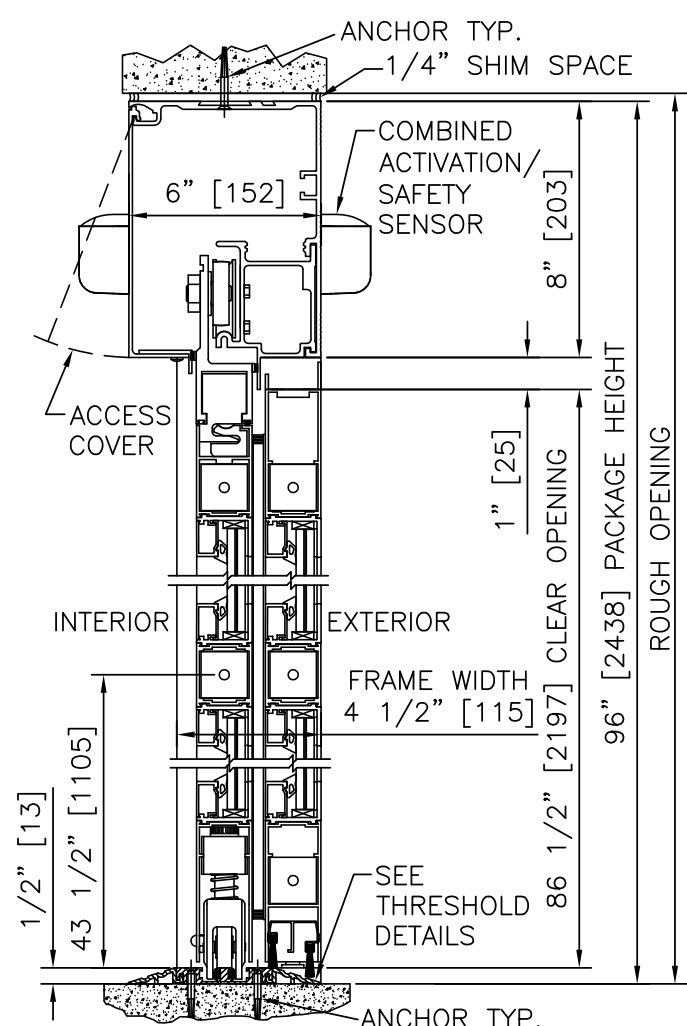
ELEVATION VIEW
SCALE: 3/8" = 1'-0"
LEFT HAND SLIDE RIGHT HAND SLIDE



PLAN VIEW
SCALE: 3/8" = 1'-0"
LEFT HAND SLIDE RIGHT HAND SLIDE



HORIZONTAL SECTION
SCALE: 2" = 1'-0"
LEFT HAND RIGHT HAND



VERTICAL SECTION
SCALE: 2" = 1'-0"

- PRODUCT OPTIONS**
- FINISH**
- ANODIZED CLEAR CL2
 - ANODIZED DK BRONZE
 - CUSTOM
- LOCKING**
- 3-POINT
 - 2-POINT W/ PANIC RELEASE
 - ELECTRIC SOLENOID LOCK
- STILES**
- NARROW
 - MEDIUM
- MUNTINS**
- 2"
 - 4 1/4"
 - NONE
- JAMBS**
- 4 1/2"
 - 6"
- BOTTOM RAILS**
- STANDARD 4"
 - OPTIONAL 6" 8" 10"
- THRESHOLDS**
- SQ/BVL (EXT)
 - SQ/BVL (INT)
 - DBL BVL
 - RECESSED
- ACTIVATION/SAFETY**
- 2 COMBINED ACTIVATION/SAFETY SENSORS
- OTHER OPTIONS**
- ROTARY CTRL SWITCH
 - KEYED
 - UNINTERRUPTIBLE POWER SUPPLY
 - FLY OPEN BOX
 - WIND DAMPERS
 - ALARM CONTACTS

MAX. PACKAGE DIMENSIONS (NARROW STILE)			
PACKAGE WIDTH	NOMINAL CLEAR DOOR OPENING	DOOR PANEL NOMINAL WIDTH	EMERGENCY BREAKOUT NOM. WIDTH
108"	46.4"	53.8"	99.0"

DESIGN RATINGS	
MISSILE IMPACT RATING	
<input checked="" type="checkbox"/>	LARGE AND SMALL MISSILE IMPACT
DESIGN PRESSURE RATING (PSF[Pa])	
POSITIVE	75 PSF [3591 Pa]
NEGATIVE	75 PSF [3591 Pa]

SINGLE SLIDE FORMULAS - NARROW STILE
 PACKAGE WIDTH = 2 X CLEAR DOOR OPENING + 15.2"
 CLEAR DOOR OPENING = 1/2 PACKAGE WIDTH - 7.6"
 EMERGENCY BREAKOUT WIDTH = PACKAGE WIDTH - 9.0"
 DOOR PANEL WIDTH = 1/2 PACKAGE WIDTH - 0.2"

SINGLE SLIDE FORMULAS - MEDIUM STILE
 PACKAGE WIDTH = 2 X CLEAR DOOR OPENING + 19.6"
 CLEAR DOOR OPENING = 1/2 PACKAGE WIDTH - 9.8"
 EMERGENCY BREAKOUT WIDTH = PACKAGE WIDTH - 10.5"
 DOOR PANEL WIDTH = 1/2 PACKAGE WIDTH + 0.6"

SINGLE SLIDE

DURA-STORM
3000
IMPACT
SERIES

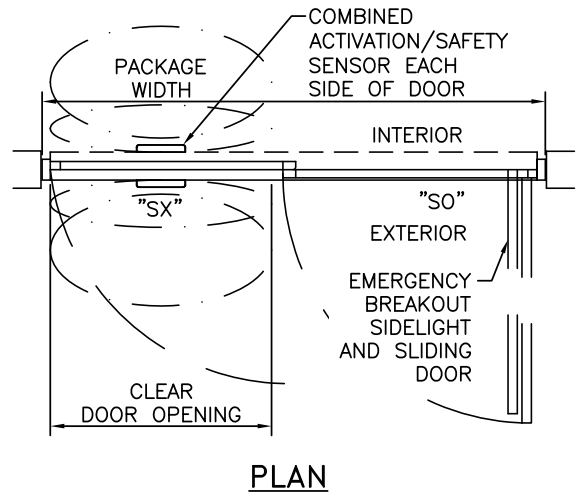
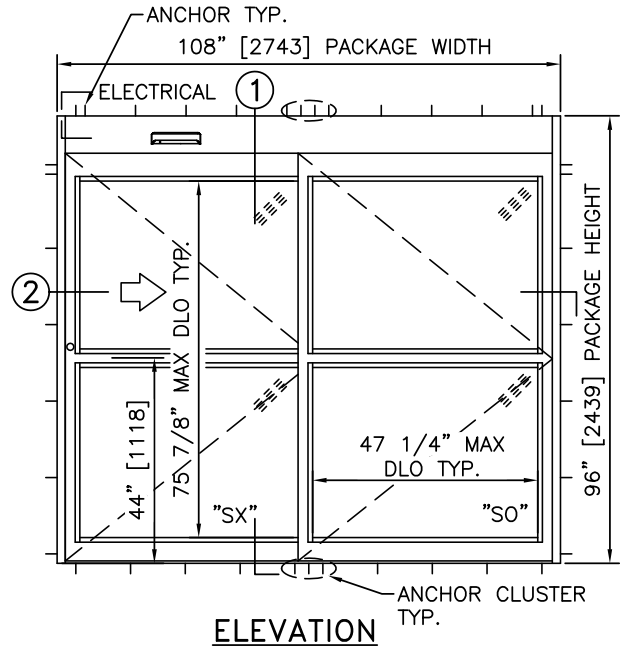
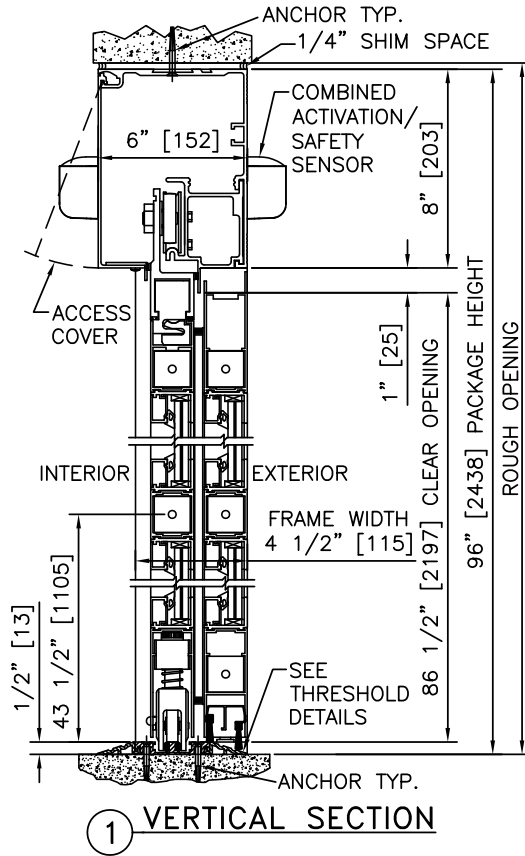
STANLEY
Access Technologies

- NOTES**
- ELECTRICAL REQUIREMENTS: 120 VAC, 5 AMP MIN TO POWER OPERATOR BY ELECTRICAL CONTRACTOR.
 - ROUGH OPENING SHALL PROVIDE 1/4"[6] SHIM SPACE ON SIDES AND TOP OF PACKAGE.
 - ACTIVATION AND SAFETY ZONES ARE FOR REFERENCE ONLY; SEE ANSI/BHMA A156.10 FOR DETAILED REQUIREMENTS.
 - 5-POINT LOCKING STANDARD. ELECTRIC SOLENOID LOCK MAY BE ADDED FOR ACCESS CONTROL.
 - ENTRANCE TO RECEIVE APPROVED 9/16"[14] LAMINATED GLAZING.
 - STANDARD STILES, BOTTOM RAILS AND MUNTINS SHOWN; MEDIUM STILES, BOTTOM RAILS TO 10"[254], AND 4 1/4"[108] MUNTINS AVAILABLE.
 - PRODUCT SHALL BE MANUFACTURED AND INSTALLED IN ACCORDANCE WITH PRODUCT APPROVALS; SEE MIAMI-DADE COUNTY NOTICE OF ACCEPTANCE OR FLORIDA BUILDING CODE APPROVAL
 - SEE SPECIFICATIONS FOR ADDITIONAL INFORMATION.

DURA-STORM
3000
IMPACT
SERIES

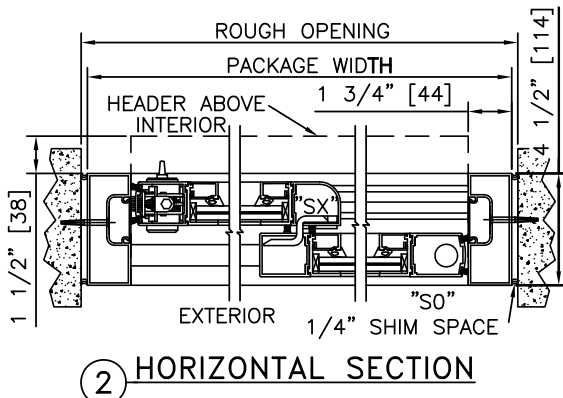
SINGLE SLIDE RIGHT HAND
PROJECT INFORMATION

PROJECT NAME:
LOCATION:
DOOR NUMBER(S):
DATE: SHEET: OF



NOTES

1. ELECTRICAL REQUIREMENTS: 120 VAC, 5 AMP MIN TO POWER OPERATOR BY ELECTRICAL CONTRACTOR.
2. ROUGH OPENING SHALL PROVIDE 1/4"[6] SHIM SPACE ON SIDES AND TOP OF PACKAGE.
3. ACTIVATION AND SAFETY ZONES ARE FOR REFERENCE ONLY; SEE ANSI/BHMA A156.10 FOR DETAILED REQUIREMENTS.
4. PRODUCT SHALL BE MANUFACTURED AND INSTALLED IN ACCORDANCE WITH PRODUCT APPROVALS; SEE MIAMI-DADE COUNTY NOTICE OF ACCEPTANCE OR FLORIDA BUILDING CODE APPROVAL
5. SEE SPECIFICATIONS FOR ADDITIONAL INFORMATION.



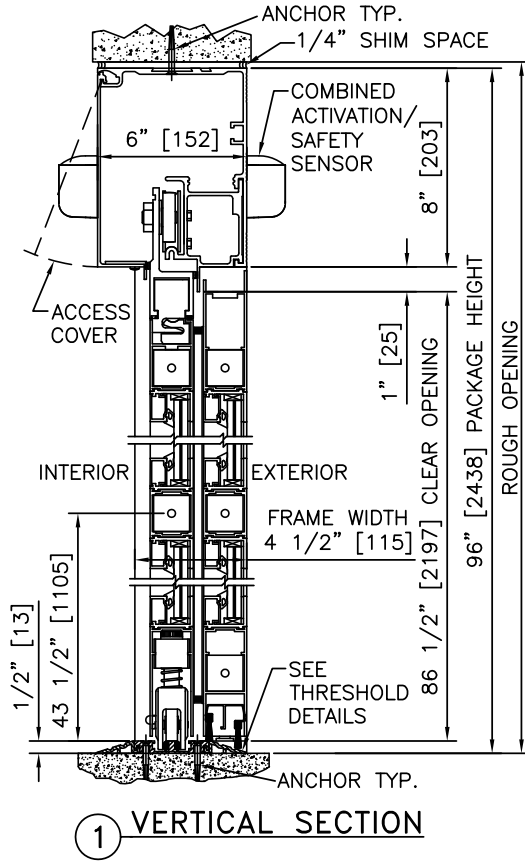
MAX. PACKAGE DIMENSIONS (NARROW STILE)			
PACKAGE WIDTH	NOMINAL CLEAR DOOR OPENING	DOOR PANEL NOMINAL WIDTH	EMERGENCY BREAKOUT NOM. WIDTH
108"	46.4"	53.8"	99.0"

DESIGN RATINGS	
MISSILE IMPACT RATING	
<input checked="" type="checkbox"/>	LARGE AND SMALL MISSILE IMPACT
DESIGN PRESSURE RATING (PSF[Pa])	
POSITIVE	75 PSF [3591 Pa]
NEGATIVE	75 PSF [3591 Pa]

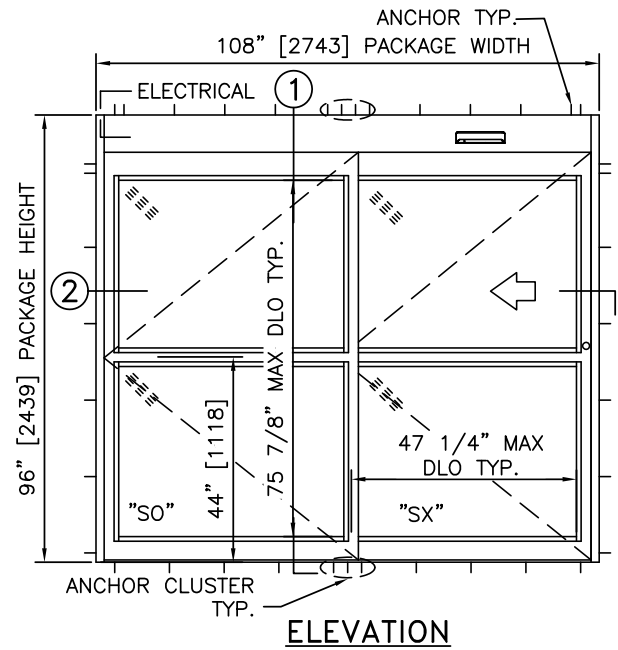
DURA-STORM
3000
IMPACT
SERIES

SINGLE SLIDE LEFT HAND
PROJECT INFORMATION

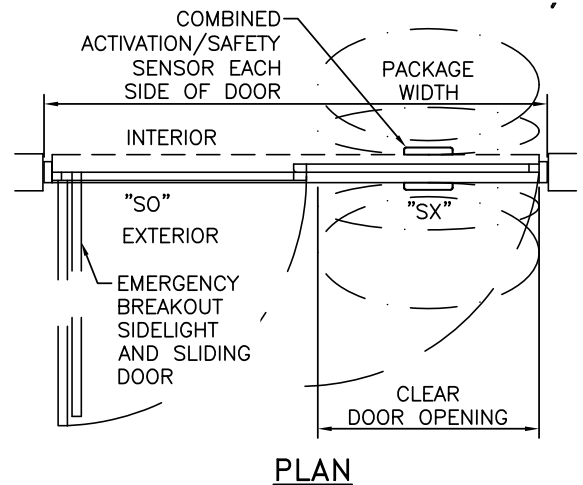
PROJECT NAME:
LOCATION:
DOOR NUMBER(S):
DATE: SHEET: OF



1 VERTICAL SECTION



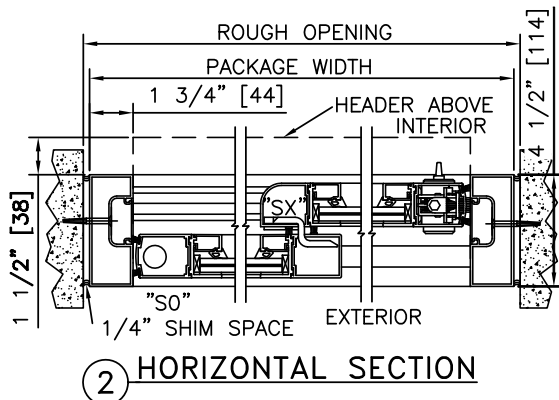
ELEVATION



PLAN

NOTES

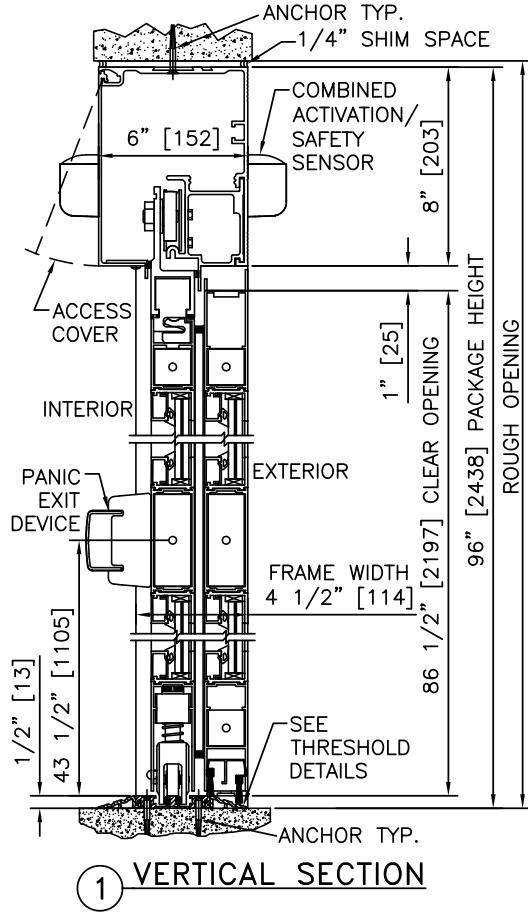
1. ELECTRICAL REQUIREMENTS: 120 VAC, 5 AMP MIN TO POWER OPERATOR BY ELECTRICAL CONTRACTOR.
2. ROUGH OPENING SHALL PROVIDE 1/4" [6] SHIM SPACE ON SIDES AND TOP OF PACKAGE.
3. ACTIVATION AND SAFETY ZONES ARE FOR REFERENCE ONLY; SEE ANSI/BHMA A156.10 FOR DETAILED REQUIREMENTS.
4. PRODUCT SHALL BE MANUFACTURED AND INSTALLED IN ACCORDANCE WITH PRODUCT APPROVALS; SEE MIAMI-DADE COUNTY NOTICE OF ACCEPTANCE OR FLORIDA BUILDING CODE APPROVAL
5. SEE SPECIFICATIONS FOR ADDITIONAL INFORMATION.



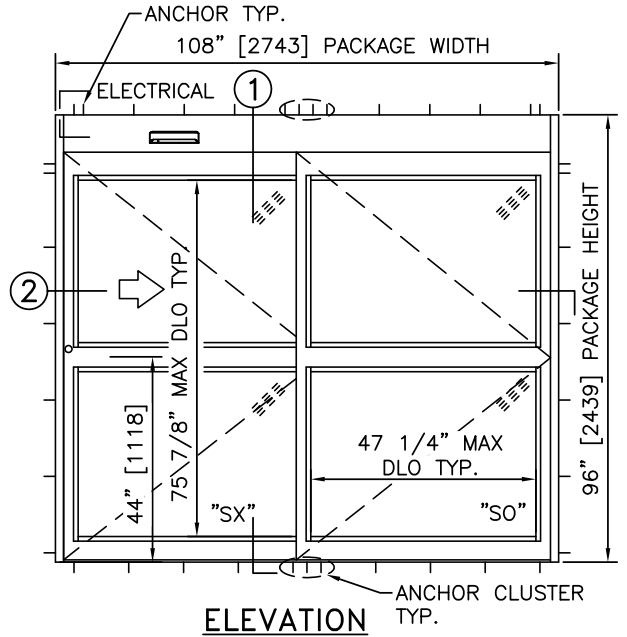
2 HORIZONTAL SECTION

MAX. PACKAGE DIMENSIONS (NARROW STILE)			
PACKAGE WIDTH	NOMINAL CLEAR DOOR OPENING	DOOR PANEL NOMINAL WIDTH	EMERGENCY BREAKOUT NOM. WIDTH
108"	46.4"	53.8"	99.0"

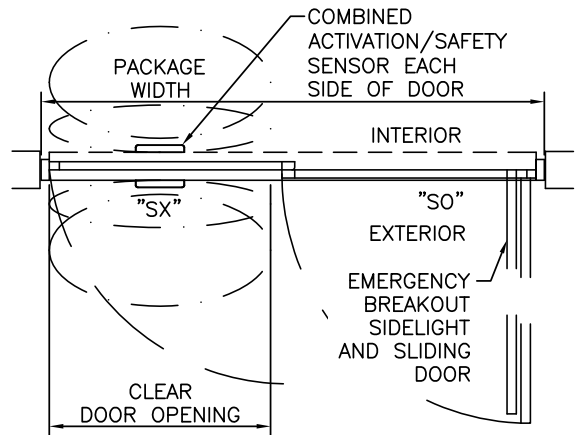
DESIGN RATINGS	
MISSILE IMPACT RATING	
<input checked="" type="checkbox"/>	LARGE AND SMALL MISSILE IMPACT
DESIGN PRESSURE RATING (PSF[Pa])	
POSITIVE	75 PSF [3591 Pa]
NEGATIVE	75 PSF [3591 Pa]



① VERTICAL SECTION



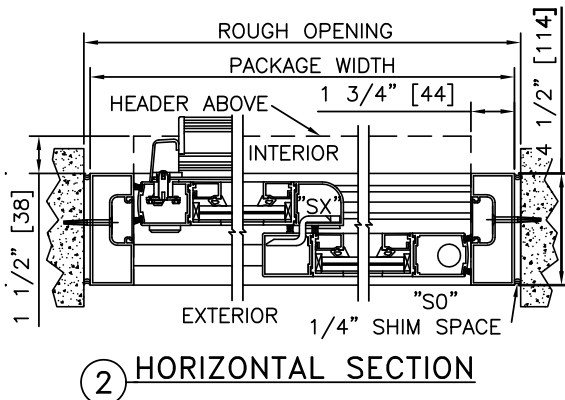
ELEVATION



PLAN

NOTES

1. ELECTRICAL REQUIREMENTS: 120 VAC, 5 AMP MIN TO POWER OPERATOR BY ELECTRICAL CONTRACTOR.
2. ROUGH OPENING SHALL PROVIDE 1/4"[6] SHIM SPACE ON SIDES AND TOP OF PACKAGE.
3. ACTIVATION AND SAFETY ZONES ARE FOR REFERENCE ONLY; SEE ANSI/BHMA A156.10 FOR DETAILED REQUIREMENTS.
4. PRODUCT SHALL BE MANUFACTURED AND INSTALLED IN ACCORDANCE WITH PRODUCT APPROVALS; SEE MIAMI-DADE COUNTY NOTICE OF ACCEPTANCE OR FLORIDA BUILDING CODE APPROVAL
5. SEE SPECIFICATIONS FOR ADDITIONAL INFORMATION.



② HORIZONTAL SECTION

MAX. PACKAGE DIMENSIONS (NARROW STILE)			
PACKAGE WIDTH	NOMINAL CLEAR DOOR OPENING	DOOR PANEL NOMINAL WIDTH	EMERGENCY BREAKOUT NOM. WIDTH
108"	46.4"	53.8"	99.0"

DESIGN RATINGS	
MISSILE IMPACT RATING	
<input checked="" type="checkbox"/>	LARGE AND SMALL MISSILE IMPACT
DESIGN PRESSURE RATING (PSF[Pa])	
POSITIVE	75 PSF [3591 Pa]
NEGATIVE	75 PSF [3591 Pa]

DURA-STORM
3000
IMPACT
SERIES

SINGLE SLIDE LEFT HAND WITH PANIC RELEASE

PROJECT INFORMATION

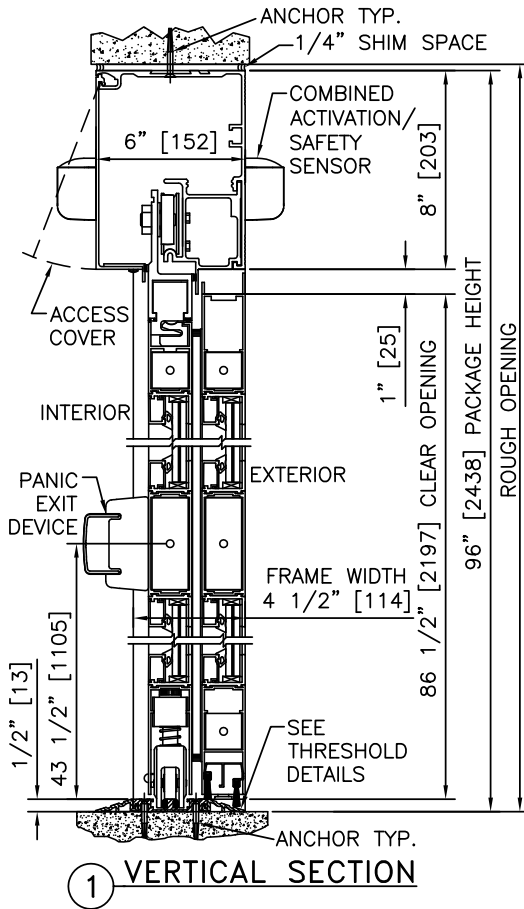
PROJECT NAME:

LOCATION:

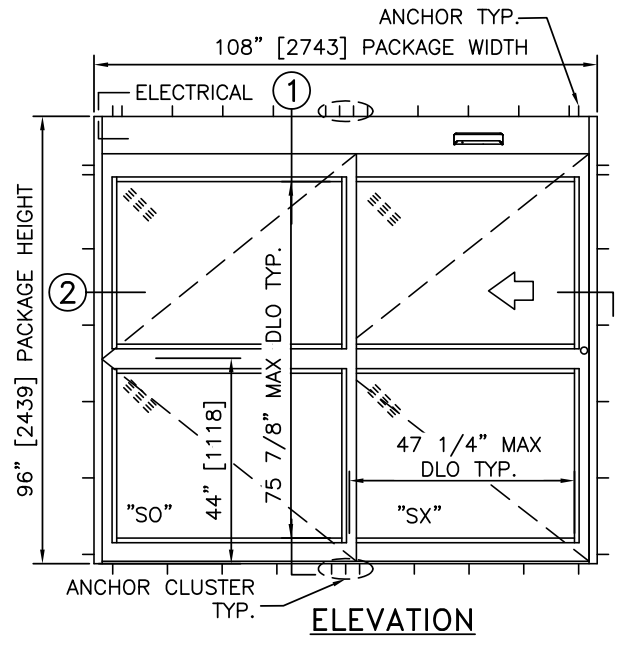
DOOR NUMBER(S):

DATE:

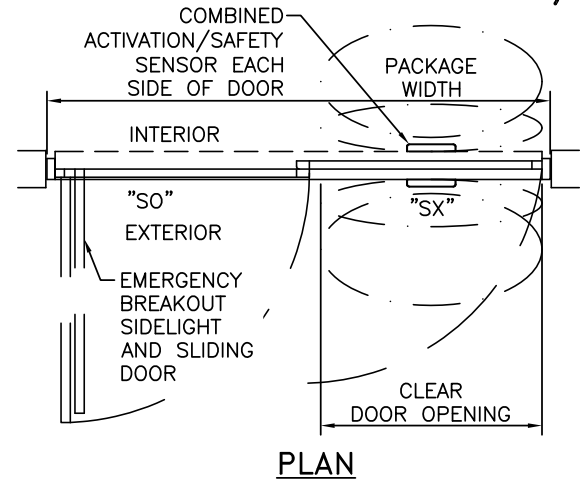
SHEET: OF



① VERTICAL SECTION



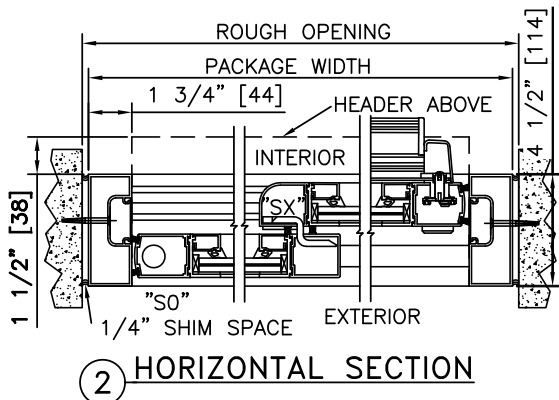
ELEVATION



PLAN

NOTES

1. ELECTRICAL REQUIREMENTS: 120 VAC, 5 AMP MIN TO POWER OPERATOR BY ELECTRICAL CONTRACTOR.
2. ROUGH OPENING SHALL PROVIDE 1/4"[6] SHIM SPACE ON SIDES AND TOP OF PACKAGE.
3. ACTIVATION AND SAFETY ZONES ARE FOR REFERENCE ONLY; SEE ANSI/BHMA A156.10 FOR DETAILED REQUIREMENTS.
4. PRODUCT SHALL BE MANUFACTURED AND INSTALLED IN ACCORDANCE WITH PRODUCT APPROVALS; SEE MIAMI-DADE COUNTY NOTICE OF ACCEPTANCE OR FLORIDA BUILDING CODE APPROVAL
5. SEE SPECIFICATIONS FOR ADDITIONAL INFORMATION.



② HORIZONTAL SECTION

MAX. PACKAGE DIMENSIONS (NARROW STILE)			
PACKAGE WIDTH	NOMINAL CLEAR DOOR OPENING	DOOR PANEL NOMINAL WIDTH	EMERGENCY BREAKOUT NOM. WIDTH
108"	46.4"	53.8"	99.0"

DESIGN RATINGS	
MISSILE IMPACT RATING	
<input checked="" type="checkbox"/>	LARGE AND SMALL MISSILE IMPACT
DESIGN PRESSURE RATING (PSF[Pa])	
POSITIVE	75 PSF [3591 Pa]
NEGATIVE	75 PSF [3591 Pa]

DURA-STORM
3000
IMPACT
SERIES

SINGLE SLIDE RIGHT HAND WITH AUTOMATIC LOCKING

PROJECT INFORMATION

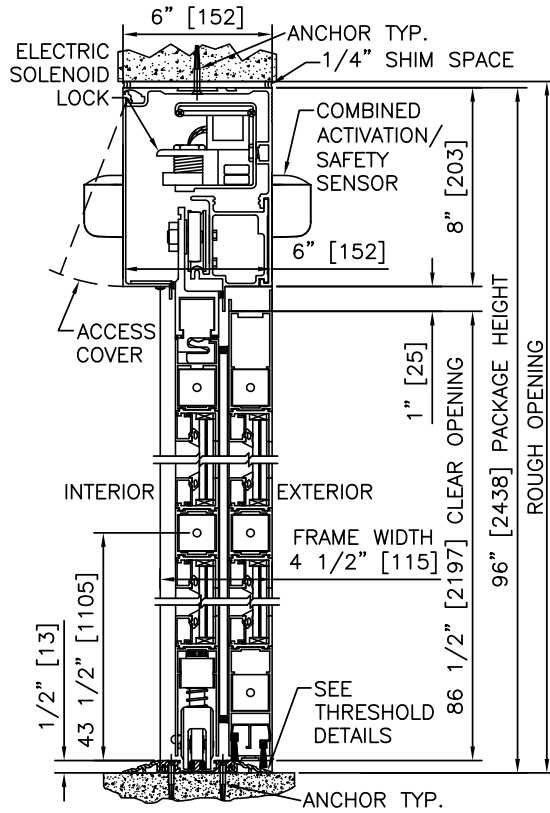
PROJECT NAME:

LOCATION:

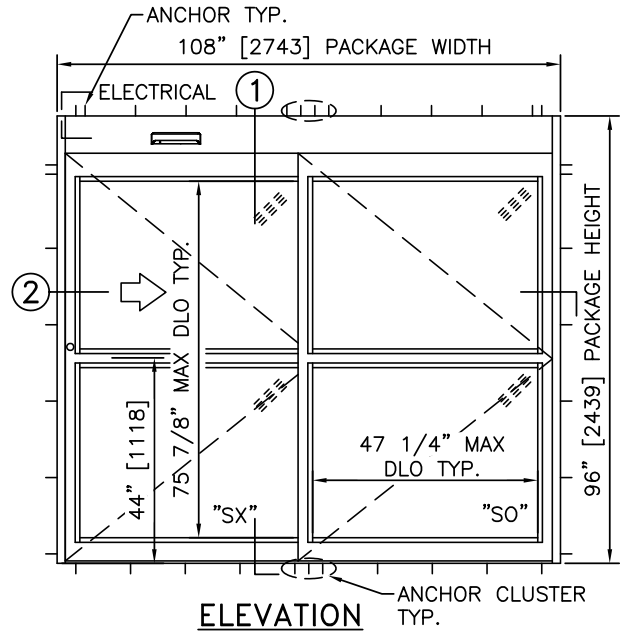
DOOR NUMBER(S):

DATE:

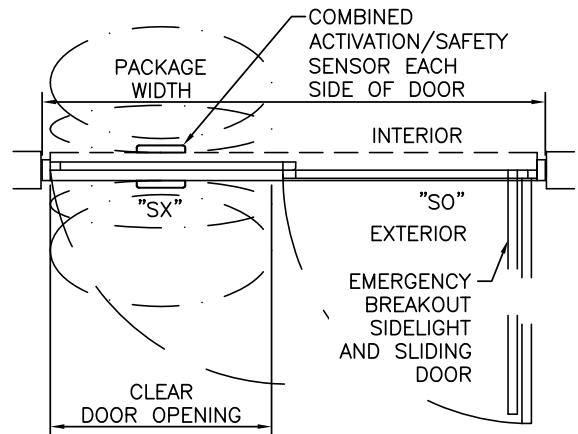
SHEET: OF



1 VERTICAL SECTION



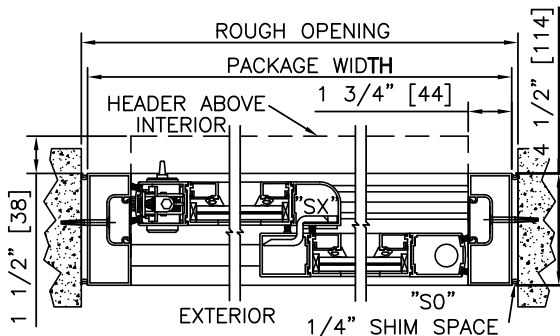
ELEVATION



PLAN

NOTES

1. ELECTRICAL REQUIREMENTS: BY ELECTRICAL CONTRACTOR
 - 1.1. 120 VAC, 5 AMP MIN TO POWER OPERATOR.
 - 1.2. CONTROL CIRCUIT FROM SECURE ACTIVATION TO OPERATOR.
2. ROUGH OPENING SHALL PROVIDE 1/4"[6] SHIM SPACE ON SIDES AND TOP OF PACKAGE.
3. ACTIVATION AND SAFETY ZONES ARE FOR REFERENCE ONLY; SEE ANSI/BHMA A156.10 FOR DETAILED REQUIREMENTS.
4. PRODUCT SHALL BE MANUFACTURED AND INSTALLED IN ACCORDANCE WITH PRODUCT APPROVALS; SEE MIAMI-DADE COUNTY NOTICE OF ACCEPTANCE OR FLORIDA BUILDING CODE APPROVAL
5. SEE SPECIFICATIONS FOR ADDITIONAL INFORMATION.



2 HORIZONTAL SECTION

MAX. PACKAGE DIMENSIONS (NARROW STILE)			
PACKAGE WIDTH	NOMINAL CLEAR DOOR OPENING	DOOR PANEL NOMINAL WIDTH	EMERGENCY BREAKOUT NOM. WIDTH
108"	46.4"	53.8"	99.0"

DESIGN RATINGS	
MISSILE IMPACT RATING	
<input checked="" type="checkbox"/>	LARGE AND SMALL MISSILE IMPACT
DESIGN PRESSURE RATING (PSF[Pa])	
POSITIVE	75 PSF [3591 Pa]
NEGATIVE	75 PSF [3591 Pa]

DURA-STORM
3000
IMPACT
SERIES

SINGLE SLIDE LEFT HAND WITH AUTOMATIC LOCKING

PROJECT INFORMATION

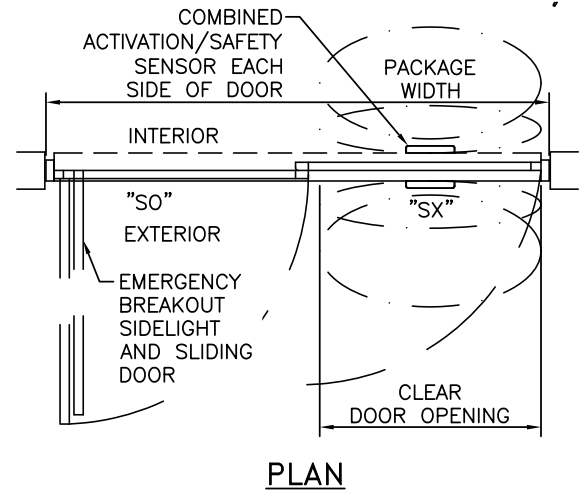
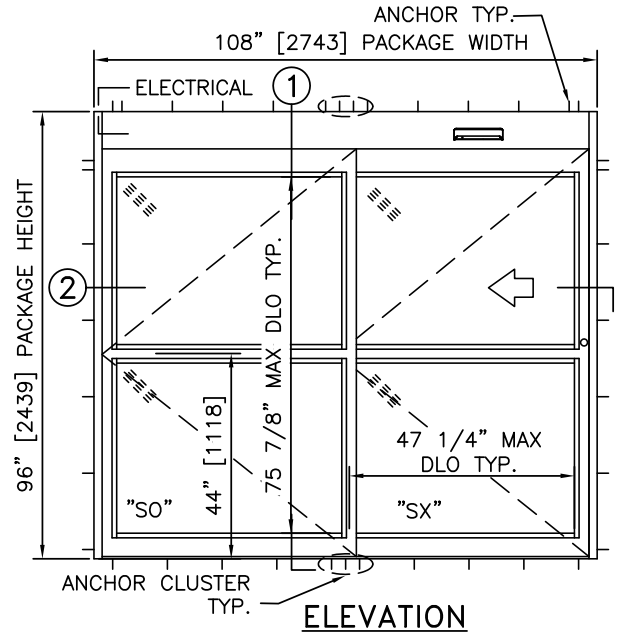
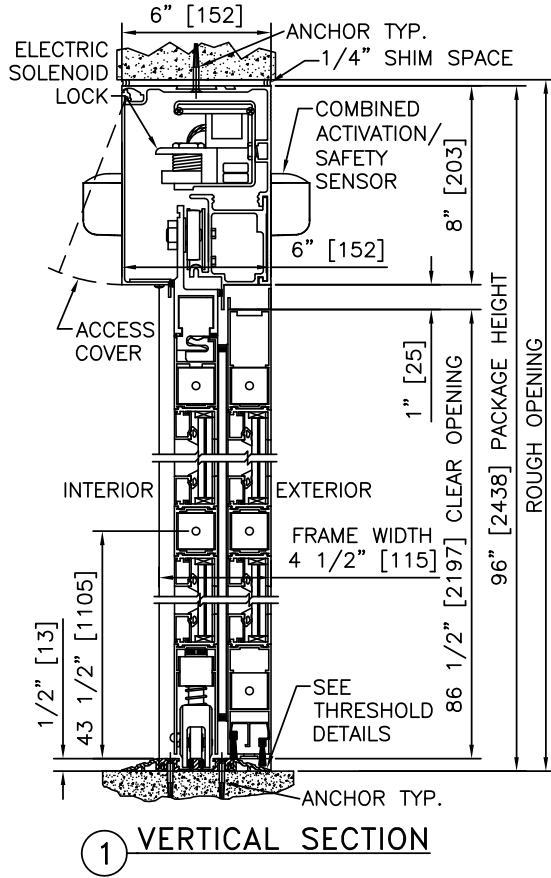
PROJECT NAME:

LOCATION:

DOOR NUMBER(S):

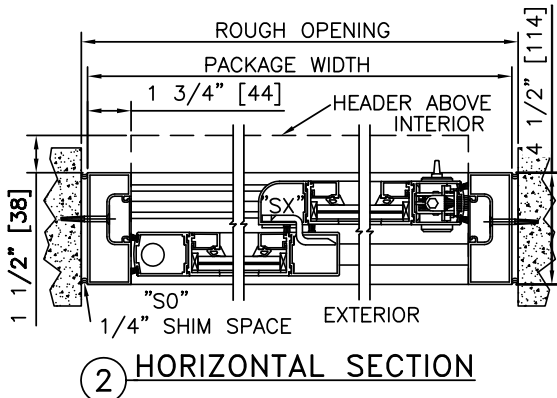
DATE:

SHEET: OF



NOTES

1. ELECTRICAL REQUIREMENTS: BY ELECTRICAL CONTRACTOR
 - 1.1. 120 VAC, 5 AMP MIN TO POWER OPERATOR.
 - 1.2. CONTROL CIRCUIT FROM SECURE ACTIVATION TO OPERATOR.
2. ROUGH OPENING SHALL PROVIDE 1/4"[6] SHIM SPACE ON SIDES AND TOP OF PACKAGE.
3. ACTIVATION AND SAFETY ZONES ARE FOR REFERENCE ONLY; SEE ANSI/BHMA A156.10 FOR DETAILED REQUIREMENTS.
4. PRODUCT SHALL BE MANUFACTURED AND INSTALLED IN ACCORDANCE WITH PRODUCT APPROVALS; SEE MIAMI-DADE COUNTY NOTICE OF ACCEPTANCE OR FLORIDA BUILDING CODE APPROVAL
5. SEE SPECIFICATIONS FOR ADDITIONAL INFORMATION.



MAX. PACKAGE DIMENSIONS (NARROW STILE)			
PACKAGE WIDTH	NOMINAL CLEAR DOOR OPENING	DOOR PANEL NOMINAL WIDTH	EMERGENCY BREAKOUT NOM. WIDTH
108"	46.4"	53.8"	99.0"

DESIGN RATINGS	
MISSILE IMPACT RATING	
<input checked="" type="checkbox"/>	LARGE AND SMALL MISSILE IMPACT
DESIGN PRESSURE RATING (PSF[Pa])	
POSITIVE	75 PSF [3591 Pa]
NEGATIVE	75 PSF [3591 Pa]

DURA-STORM
3000
IMPACT
SERIES

SINGLE SLIDE RIGHT HAND WITH PANIC RELEASE & AUTOMATIC LOCKING

PROJECT INFORMATION

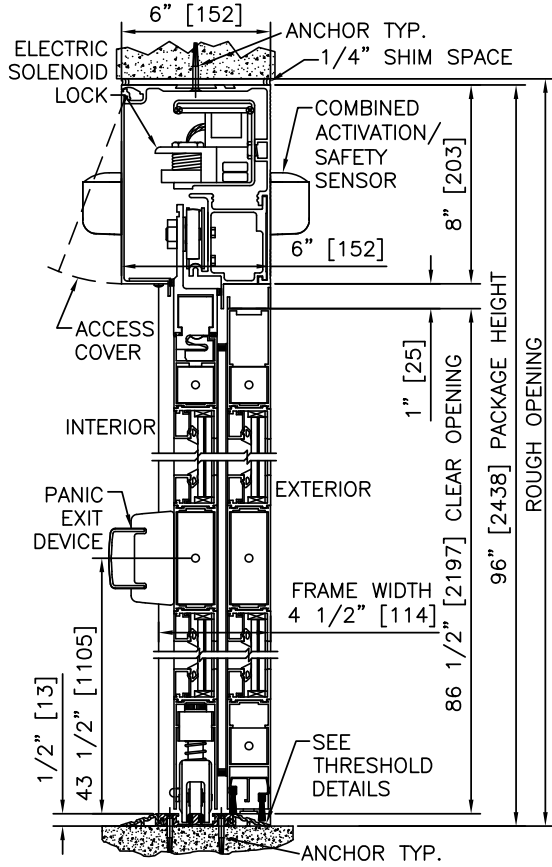
PROJECT NAME:

LOCATION:

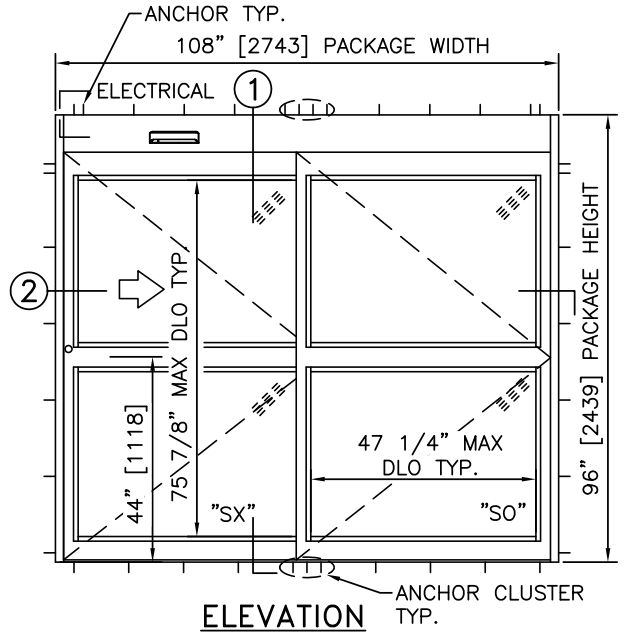
DOOR NUMBER(S):

DATE:

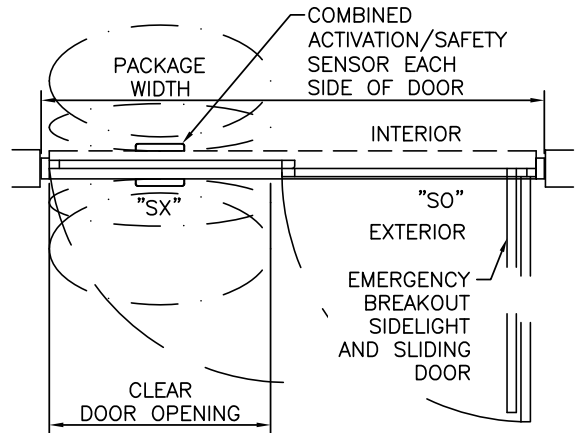
SHEET: OF



1 VERTICAL SECTION



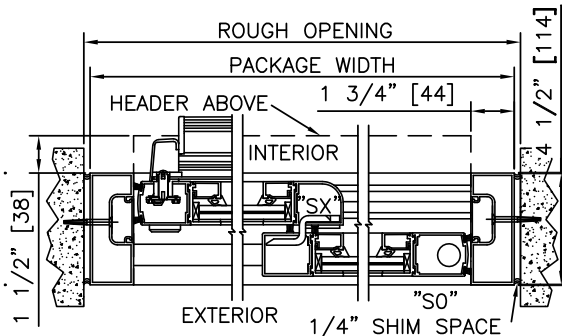
ELEVATION



PLAN

NOTES

1. ELECTRICAL REQUIREMENTS: BY ELECTRICAL CONTRACTOR
 - 1.1. 120 VAC, 5 AMP MIN TO POWER OPERATOR.
 - 1.2. CONTROL CIRCUIT FROM SECURE ACTIVATION TO OPERATOR.
2. ROUGH OPENING SHALL PROVIDE 1/4"[6] SHIM SPACE ON SIDES AND TOP OF PACKAGE.
3. ACTIVATION AND SAFETY ZONES ARE FOR REFERENCE ONLY; SEE ANSI/BHMA A156.10 FOR DETAILED REQUIREMENTS.
4. PRODUCT SHALL BE MANUFACTURED AND INSTALLED IN ACCORDANCE WITH PRODUCT APPROVALS; SEE MIAMI-DADE COUNTY NOTICE OF ACCEPTANCE OR FLORIDA BUILDING CODE APPROVAL
5. SEE SPECIFICATIONS FOR ADDITIONAL INFORMATION.



2 HORIZONTAL SECTION

MAX. PACKAGE DIMENSIONS (NARROW STILE)			
PACKAGE WIDTH	NOMINAL CLEAR DOOR OPENING	DOOR PANEL NOMINAL WIDTH	EMERGENCY BREAKOUT NOM. WIDTH
108"	46.4"	53.8"	99.0"

DESIGN RATINGS	
MISSILE IMPACT RATING	
<input checked="" type="checkbox"/>	LARGE AND SMALL MISSILE IMPACT
DESIGN PRESSURE RATING (PSF[Pa])	
POSITIVE	75 PSF [3591 Pa]
NEGATIVE	75 PSF [3591 Pa]

DURA-STORM
3000
IMPACT
SERIES

SINGLE SLIDE LEFT HAND WITH PANIC RELEASE & AUTOMATIC LOCKING

PROJECT INFORMATION

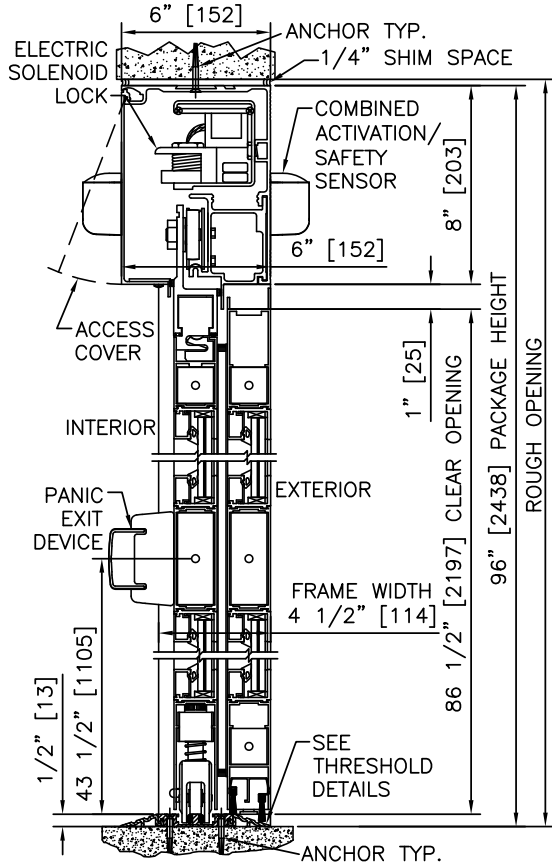
PROJECT NAME:

LOCATION:

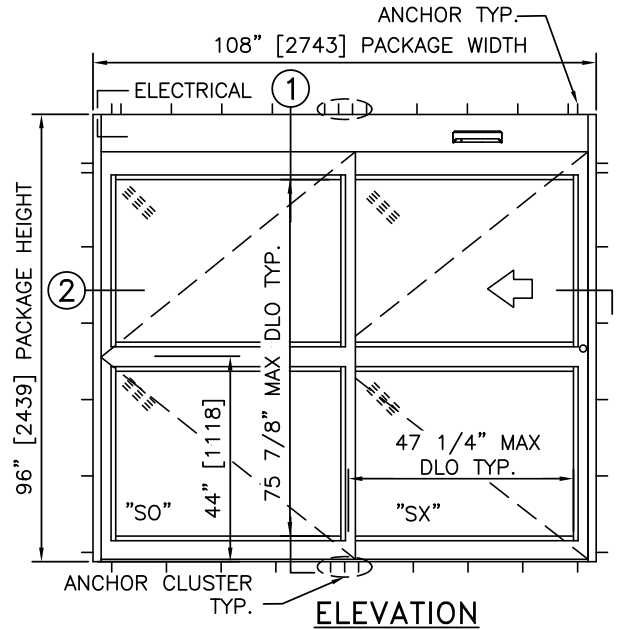
DOOR NUMBER(S):

DATE:

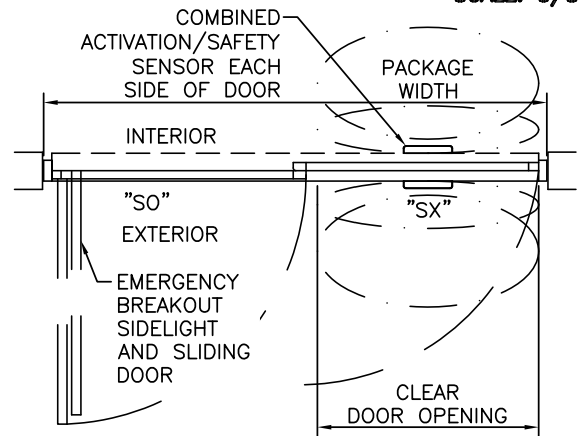
SHEET: OF



1 VERTICAL SECTION



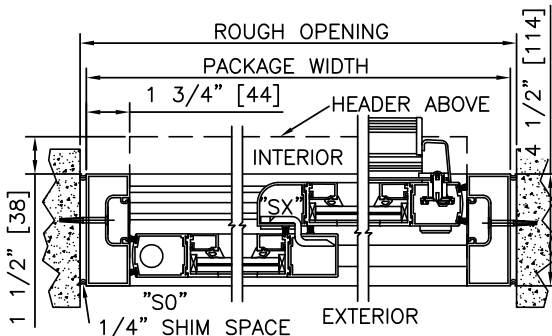
ELEVATION



PLAN

NOTES

1. ELECTRICAL REQUIREMENTS: BY ELECTRICAL CONTRACTOR
 - 1.1. 120 VAC, 5 AMP MIN TO POWER OPERATOR.
 - 1.2. CONTROL CIRCUIT FROM SECURE ACTIVATION TO OPERATOR.
2. ROUGH OPENING SHALL PROVIDE 1/4" [6] SHIM SPACE ON SIDES AND TOP OF PACKAGE.
3. ACTIVATION AND SAFETY ZONES ARE FOR REFERENCE ONLY; SEE ANSI/BHMA A156.10 FOR DETAILED REQUIREMENTS.
4. PRODUCT SHALL BE MANUFACTURED AND INSTALLED IN ACCORDANCE WITH PRODUCT APPROVALS; SEE MIAMI-DADE COUNTY NOTICE OF ACCEPTANCE OR FLORIDA BUILDING CODE APPROVAL
5. SEE SPECIFICATIONS FOR ADDITIONAL INFORMATION.



2 HORIZONTAL SECTION

MAX. PACKAGE DIMENSIONS (NARROW STILE)			
PACKAGE WIDTH	NOMINAL CLEAR DOOR OPENING	DOOR PANEL NOMINAL WIDTH	EMERGENCY BREAKOUT NOM. WIDTH
108"	46.4"	53.8"	99.0"

DESIGN RATINGS	
MISSILE IMPACT RATING	
<input checked="" type="checkbox"/>	LARGE AND SMALL MISSILE IMPACT
DESIGN PRESSURE RATING (PSF[Pa])	
POSITIVE	75 PSF [3591 Pa]
NEGATIVE	75 PSF [3591 Pa]