



## TELESCOPIC ICU DOORS: DURA-CARE™ 7500 SERIES: 6-PANEL, TRACKLESS

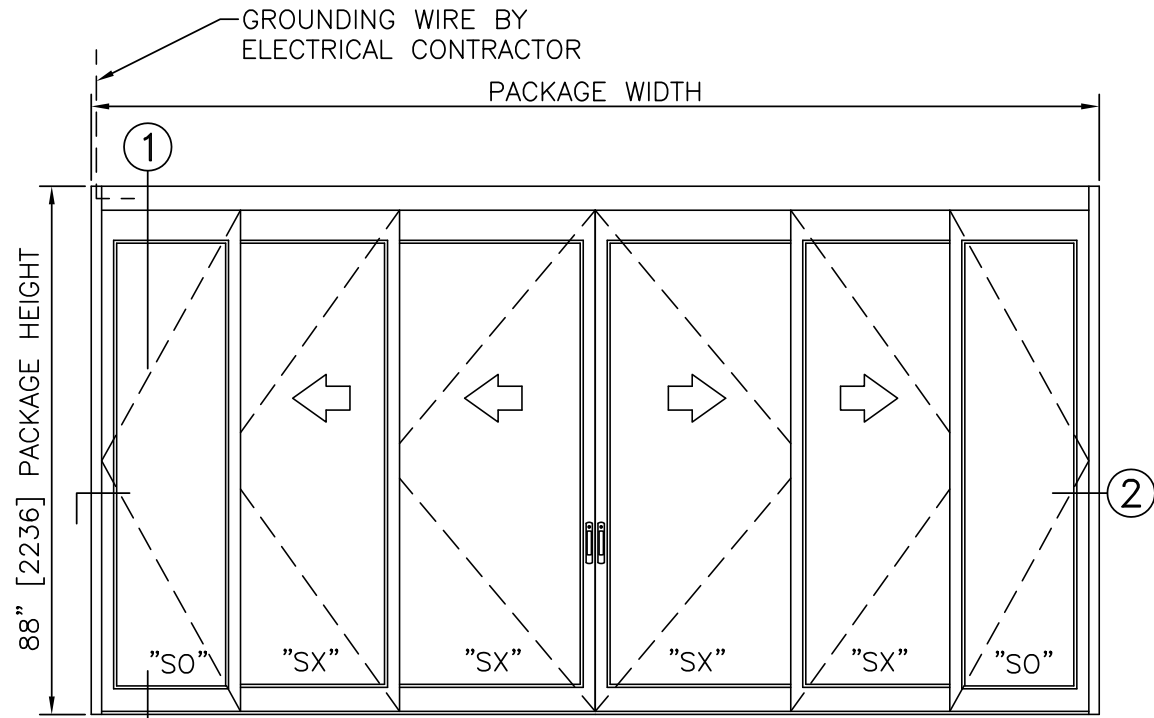
### 3.13- 6-PANEL TELESCOPIC, TRACKLESS

- 3.13.01 - 6-PANEL TELESCOPIC, TRACKLESS

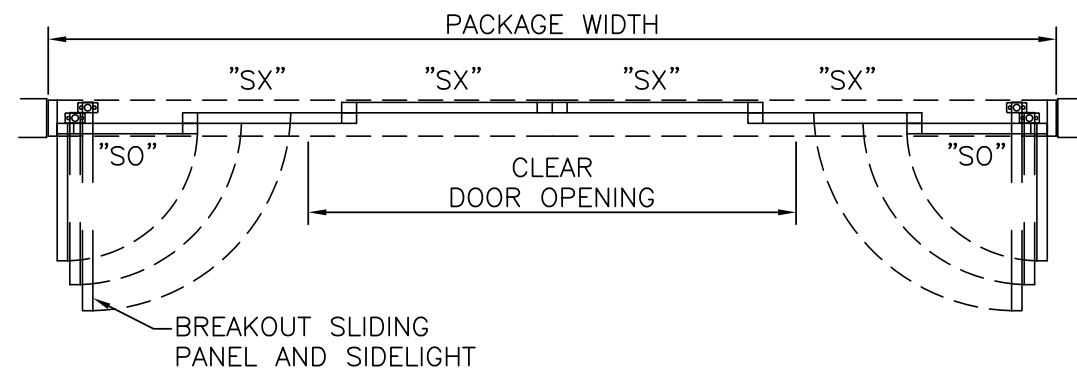


**DURA-CARE™  
7500TL-FBO  
SERIES**

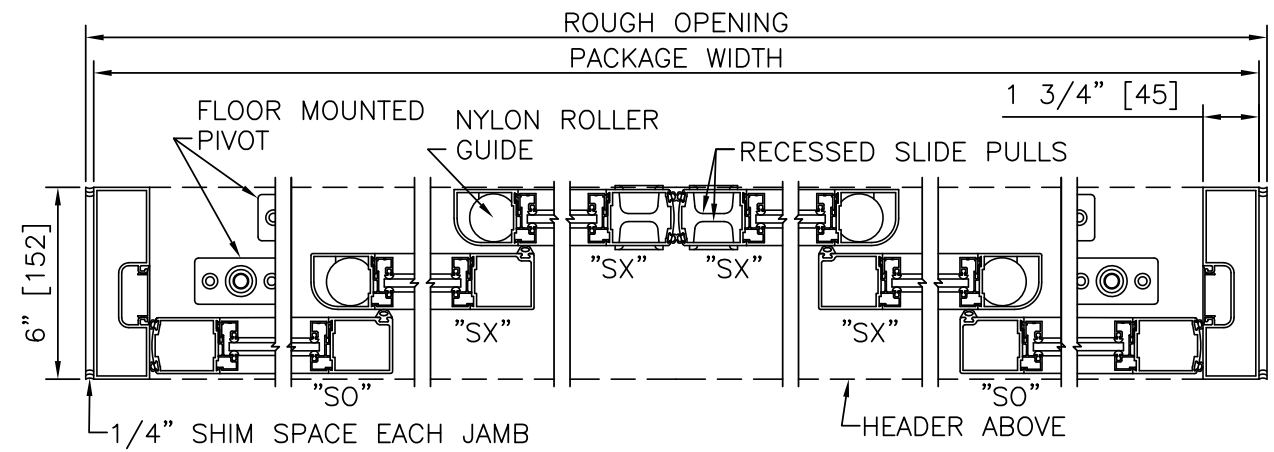
6-PANEL TELESCOPIC TRACKLESS	
PROJECT INFORMATION	
PROJECT NAME:	
LOCATION:	
DOOR NUMBER(S):	
DATE:	SHEET: OF



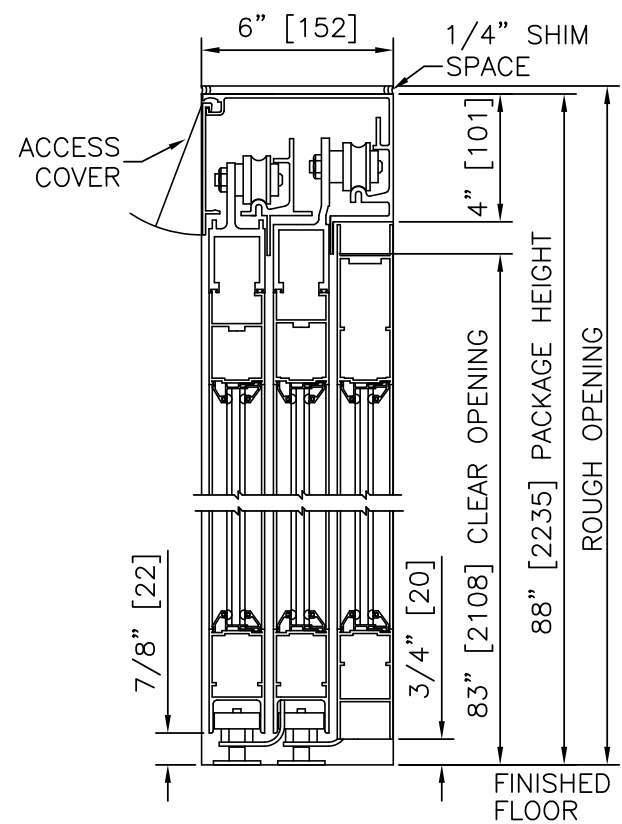
**ELEVATION VIEW**  
SCALE: 3/8" = 1'-0"



**PLAN VIEW**  
SCALE: 3/8" = 1'-0"



**HORIZONTAL SECTION**  
SCALE: 2" = 1'-0"



**VERTICAL SECTION**  
SCALE: 2" = 1'-0"

**PRODUCT OPTIONS**

- FINISH**
- ANODIZED CLEAR CL2
  - ANODIZED DK BRONZE
  - CUSTOM
- LATCHING/LOCKING**
- 1-POINT
  - 2-POINT
  - 3-POINT
- STILES**
- NARROW
  - MEDIUM
- BOTTOM RAILS**
- STANDARD 4"
  - OPTIONAL 6" 8" 10" 12"
- MUNTINS**
- OPTIONAL 2" 4 1/4"

**6-PANEL FORMULAS - NARROW STILE**  
 PACKAGE WIDTH = 3/2 CLEAR DOOR OPENING + 46.2"  
 CLEAR DOOR OPENING = 2/3 PACKAGE WIDTH - 30.8"  
 BREAKOUT WIDTH = PACKAGE WIDTH - 19.8"  
 DOOR PANEL WIDTH (SX) = 1/6 PACKAGE WIDTH + 7.1"  
 DOOR PANEL WIDTH (SX) = 1/6 PACKAGE WIDTH + 1.0"  
 DOOR PANEL WIDTH (SO) = 1/6 PACKAGE WIDTH - 4.9"

**6-PANEL FORMULAS - MEDIUM STILE**  
 PACKAGE WIDTH = 3/2 CLEAR DOOR OPENING + 49.1"  
 CLEAR DOOR OPENING = 2/3 PACKAGE WIDTH - 32.7"  
 BREAKOUT WIDTH = PACKAGE WIDTH - 19.8"  
 DOOR PANEL WIDTH (SX) = 1/6 PACKAGE WIDTH + 8.1"  
 DOOR PANEL WIDTH (SX) = 1/6 PACKAGE WIDTH + 2.1"  
 DOOR PANEL WIDTH (SO) = 1/6 PACKAGE WIDTH - 3.9"

- NOTES**
1. PACKAGE SHALL BE GROUNDED TO BUILDING GROUND SYSTEM. GROUNDING WIRE BY ELECTRICAL CONTRACTOR.
  2. ROUGH OPENING SHALL PROVIDE 1/4"[6] SHIM SPACE ON SIDES AND TOP OF PACKAGE.
  3. STANDARD PACKAGE EXCLUDES LATCHING OR LOCKING. LOCKING SYSTEMS AVAILABLE.
  4. STANDARD GLAZING STOPS FOR ALL PANELS ARE 1/4"[6]; 5/8"[16] AND 1"[25] AVAILABLE.
  5. STANDARD STILES, BOTTOM RAILS SHOWN; MEDIUM STILES, BOTTOM RAILS TO 12"[305], AND MUNTINS AVAILABLE.
  6. SLIDING PANELS MUST BE MANUALLY SLID TO FULL OPEN POSITION AND ENGAGE FLOOR MOUNTED HINGE PINS PRIOR TO PANEL BREAKOUT.
  8. SEE SPECIFICATIONS FOR ADDITIONAL INFORMATION.

TYPICAL PACKAGE DIMENSIONS (NARROW STILE)					
PACKAGE WIDTH	NOMINAL CLEAR DOOR OPENING	"SX" SLIDING DOOR NOMINAL WIDTH	"SX" SLIDING DOOR NOMINAL WIDTH	"SO" SIDELITE NOMINAL WIDTH	BREAKOUT NOMINAL WIDTH
120"	49.2"	27.1"	21.0"	15.1"	100.2"
144"	65.2"	31.1"	25.0"	19.1"	124.2"
168"	81.2"	35.1"	29.0"	23.1"	148.2"

**6-PANEL TELESCOPIC TRACKLESS**

**DURA-CARE™  
7500TL-FBO  
SERIES**

**DURA-CARE™  
7500TL-FBO  
SERIES**

6-PANEL TELESCOPING TRACKLESS

PROJECT INFORMATION

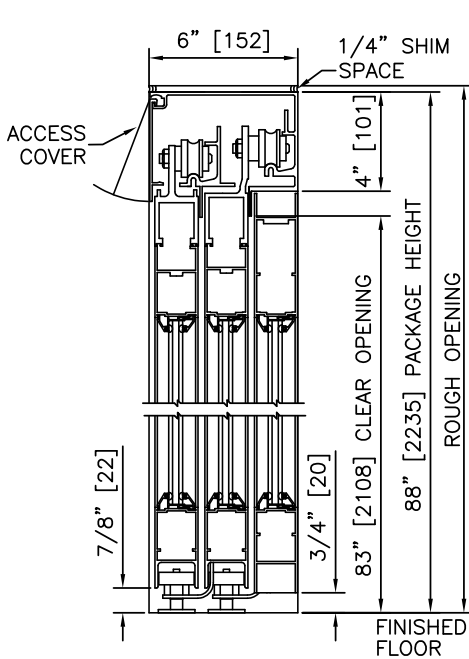
PROJECT NAME:

LOCATION:

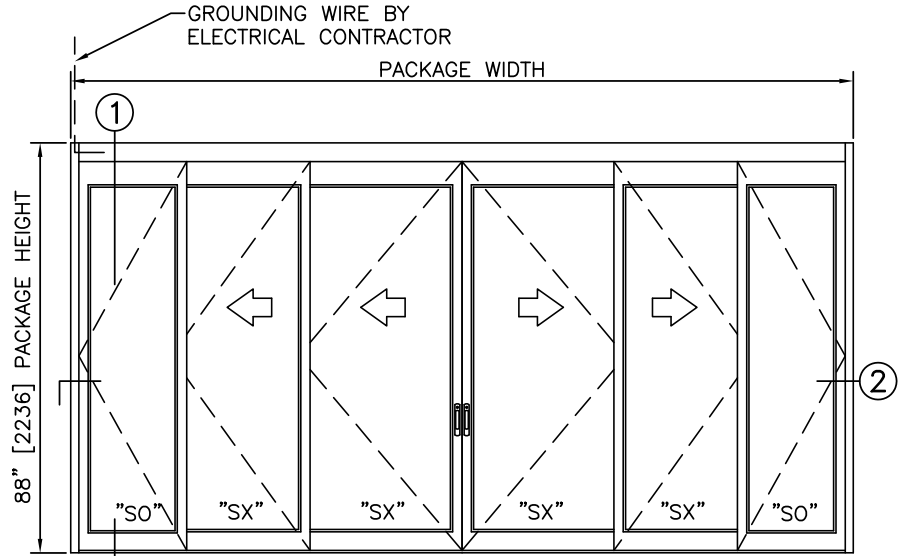
DOOR NUMBER(S):

DATE:

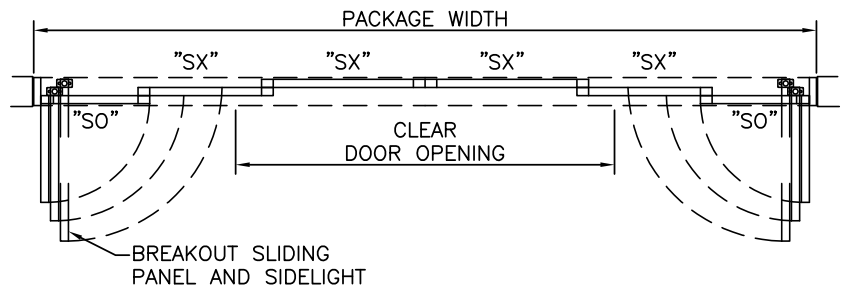
SHEET: OF



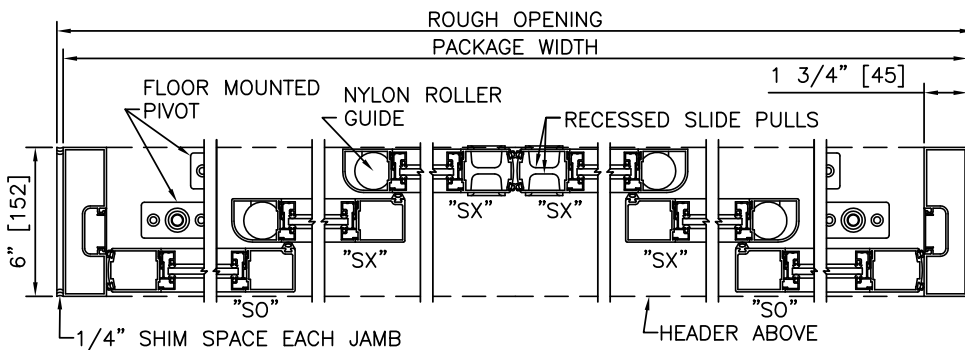
1 VERTICAL SECTION



ELEVATION



PLAN



2 HORIZONTAL SECTION

NOTES

1. PACKAGE SHALL BE GROUNDED TO BUILDING GROUND SYSTEM. GROUNDING WIRE BY ELECTRICAL CONTRACTOR.
2. ROUGH OPENING SHALL PROVIDE 1/4"[6] SHIM SPACE ON SIDES AND TOP OF PACKAGE.
3. STANDARD PACKAGE EXCLUDES LATCHING OR LOCKING. LOCKING SYSTEMS AVAILABLE.
4. SLIDING PANEL MUST BE MANUALLY SLID TO FULL OPEN POSITION, ENGAGING FLOOR MOUNTED HINGE PIN, PRIOR TO BREAKOUT.
5. SEE SPECIFICATIONS FOR ADDITIONAL INFORMATION.

TYPICAL PACKAGE DIMENSIONS (NARROW STILE)

PACKAGE WIDTH	NOMINAL CLEAR DOOR OPENING	"SX" SLIDING DOOR NOMINAL WIDTH	"SX" SLIDING DOOR NOMINAL WIDTH	"SO" SIDELITE NOMINAL WIDTH	BREAKOUT NOMINAL WIDTH
120"	49.2"	27.1"	21.0"	15.1"	100.2"
144"	65.2"	31.1"	25.0"	19.1"	124.2"
168"	81.2"	35.1"	29.0"	23.1"	148.2"