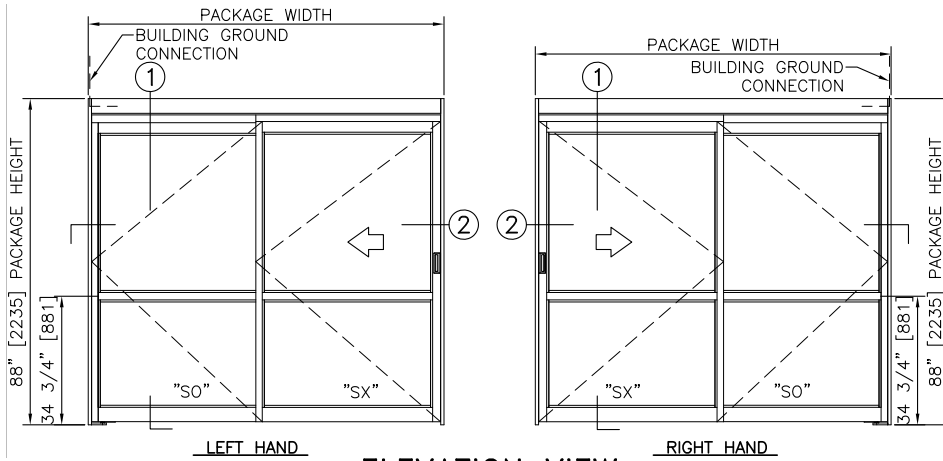


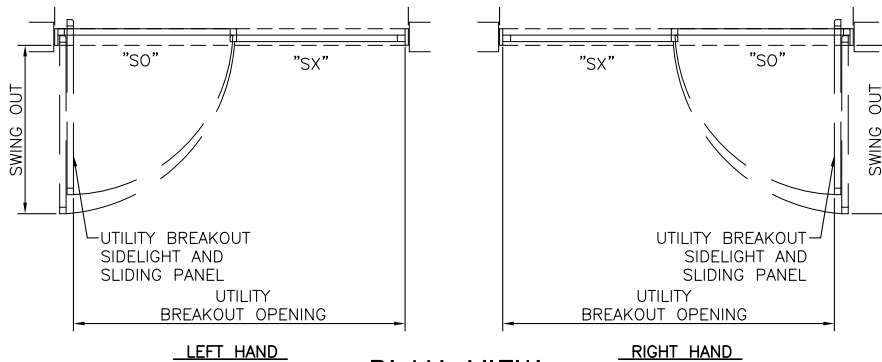


| | |
|-----------------------------|--|
| CONFIGURATIONS: | 2-Panel, 2-Panel S&D, Trackless |
| TYPICAL HEIGHT: | 88" (Std); taller available. |
| TYPICAL WIDTH: | 2-Panel (Std); 84" to 108", 96" (Std) |
| HEADER SIZE: | 4" Nominal Height |
| BREAKOUT: | Full Breakout, from Fully Open Position |
| JAMB DIMENSION: | 4 1/2" x 7/8" |
| CLEAR DOOR OPENING: | 2-Panel (Std); 38 1/4" to 50 1/4"; 44 3/16" at 96" (Std) Width |
| BREAKOUT OPENING: | 2-Panel (Std-FBO); 78" to 102"; 90" at 96" (Std) Width |
| SUPPORTED GLAZING: | 1/4" (Std); 5/8", 1/2", 1" Integral Blinds, STC Rated Glass |
| STILES: | Narrow |
| BOTTOM RAILS: | 4" (Std), 6", 8", 10", 12", other custom |
| FINISHES: | Anodized, PVDF Paint, Anti-Microbial (Touch Points or All) |
| HARDWARE OPTIONS: | Positive Latch, Single-Point Locking, Concealed Self Closing |
| LISTINGS: | UL1784 |
| RATINGS: | UL 1784 Leakage (Smoke & Draft), +/- Pressure , STC |
| CODES AND STANDARDS: | Smoke Provisions: NFPA 101, NFPA 105, IBC |



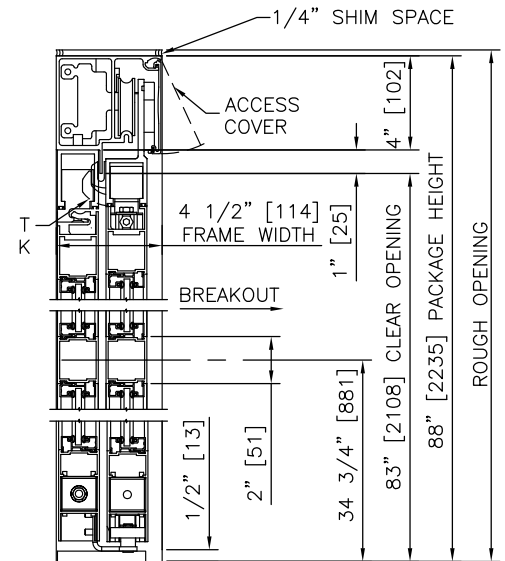
ELEVATION VIEW

SCALE: 3/8" = 1'-0"



PLAN VIEW

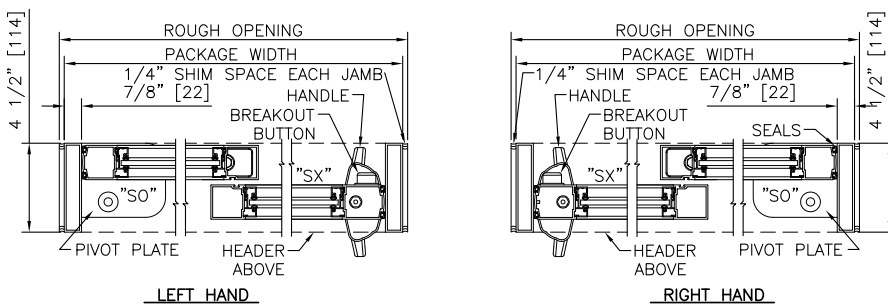
SCALE: 3/8" = 1'-0"



LEFT HAND & RIGHT HAND

VERTICAL SECTION

SCALE: 2" = 1'-0"



HORIZONTAL SECTION

SCALE: 2" = 1'-0"

| TYPICAL PACKAGE DIMENSIONS (7/8" JAMBS) | | | | | |
|---|----------------------------|----------------------------|-------------------------|--------------------------------|-------------------------|
| PACKAGE WIDTH | NOMINAL CLEAR DOOR OPENING | SLIDING DOOR NOMINAL WIDTH | SIDELIGHT NOMINAL WIDTH | UTILITY BREAKOUT NOMINAL WIDTH | SWING OUT NOMINAL WIDTH |
| 84" [2134] | 38.2" [971] | 43.6" [1108] | 40.8" [1035] | 78.0" [1981] | 41.4" [1051] |
| 96" [2438] | 44.2" [1123] | 49.6" [1260] | 46.8" [1187] | 90.0" [2286] | 47.4" [1203] |
| 108" [2743] | 50.2" [1276] | 55.6" [1413] | 52.8" [1340] | 102.0" [2591] | 53.4" [1355] |

SINGLE SLIDE FORMULAS (7/8" JAMBS)

PACKAGE WIDTH = 2 X CLEAR DOOR OPENING + 7.6"[192]
 CLEAR DOOR OPENING = 1/2 PACKAGE WIDTH - 3.8"[96]
 UTILITY BREAKOUT WIDTH = PACKAGE WIDTH - 6.0"[152]
 SX DOOR PANEL WIDTH = 1/2 PACKAGE WIDTH + 1.6"[41]
 SO DOOR PANEL WIDTH = 1/2 PACKAGE WIDTH - 1.3"[32]
 SWING OUT WIDTH = SX PANEL WIDTH - 2.3"[57]

SINGLE SLIDE FORMULAS (1 3/4" JAMBS)

PACKAGE WIDTH = 2 X CLEAR DOOR OPENING + 9.3"[236]
 CLEAR DOOR OPENING = 1/2 PACKAGE WIDTH - 4.7"[118]
 UTILITY BREAKOUT WIDTH = PACKAGE WIDTH - 7.8"[197]
 SX DOOR PANEL WIDTH = 1/2 PACKAGE WIDTH + 0.7"[19]
 SO DOOR PANEL WIDTH = 1/2 PACKAGE WIDTH - 2.1"[54]
 SWING OUT WIDTH = SX PANEL WIDTH - 2.3"[57]

NOTES

1. CONNECTION TO BUILDING GROUND BY ELECTRICAL CONTRACTOR.
2. ROUGH OPENING SHALL PROVIDE 1/4"[6] SHIM SPACE ON SIDES AND TOP OF PACKAGE.
3. STANDARD PACKAGE EXCLUDES LATCHING OR LOCKING. POSITIVE LATCHING AND LOCKING SYSTEMS AVAILABLE; POSITIVE LATCHING INCLUDED ON LEAKAGE RATED ASSEMBLIES.
4. STANDARD GLAZING STOPS FOR ALL PANELS ARE 1/4"[6], 1/2"[13], 5/8"[16], AND 1"[25] AVAILABLE.
5. STANDARD STILES, BOTTOM RAILS AND MUNTINS SHOWN; BOTTOM RAILS TO 12"[305], AND 4 1/4"[108] MUNTINS AVAILABLE.